

AVENTICS Series SSI Short-stroke cylinders (ISO 15524)



AVENTICS™

AVENTICS Series SSI Short-stroke cylinders (ISO 15524)


EMERSON™

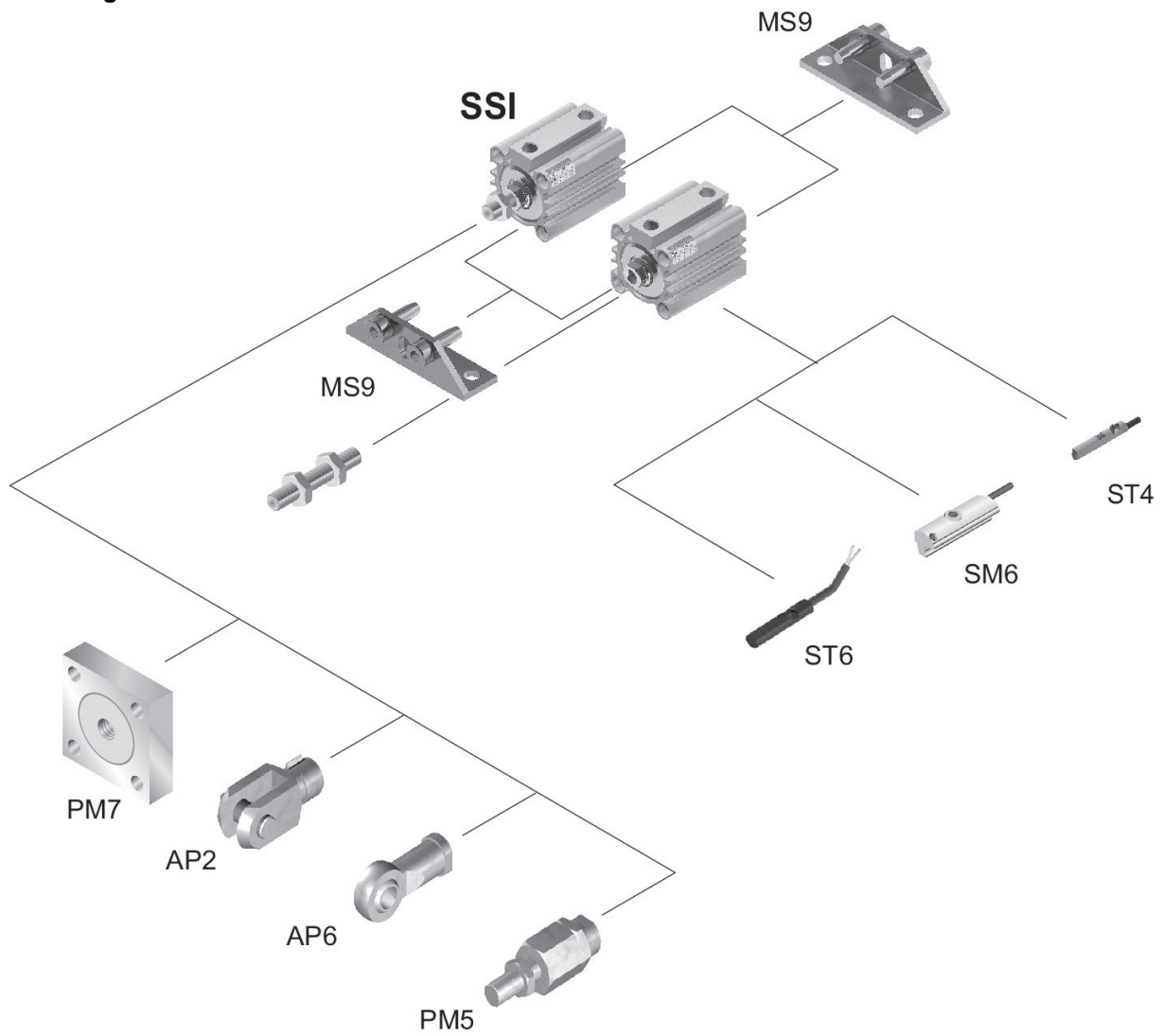
Series SSI

The AVENTICS Series SSI are short stroke cylinders in accordance with the latest ISO standard 15524. The cylinders are compact and up to 30% lighter than comparable cylinders thanks to weight optimized profiles. In addition, they provide a high degree of flexibility in sensor assembly and extremely effective elastic cushioning.

- Ideal for simple assembly and clamping movements, tight installation space, and short strokes
- Mount on moving machine parts possible thanks to their low weight
- Intelligent connection concept
- Available in piston diameters from 12 mm to 100 mm
- Available as piston rod, single or double-acting cylinders, with a hollow piston rod, as a non-rotating version with a front plate, or an especially short version without a magnet



Overview drawing



Short-stroke cylinder, Series SSI

ISO 15524

Compact and short-stroke cylinders

Industry standard

single

Piston with magnet

Elastic cushioning

Piston rod: internal thread

Internal thread

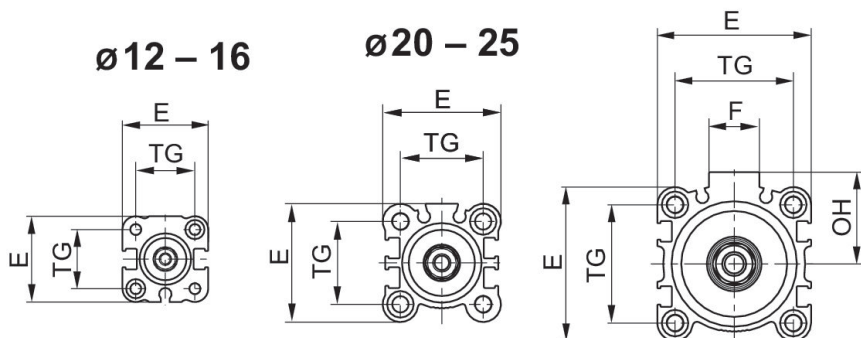
Single-acting, retracted without pressure



Piston Ø [mm]	Stroke [mm]	Piston rod thread	Compressed air connection	Part No.
12	5	M3	M5	R480637920
12	10	M3	M5	R480637921
16	5	M4	M5	R480637922
16	10	M4	M5	R480637923
20	5	M5	M5	R480637924
20	10	M5	M5	R480637925
20	25	M5	M5	R480637926
25	5	M6	M5	R480637927
25	10	M6	M5	R480637928
25	25	M6	M5	R480637929
32	5	M8	G 1/8	R480637930
32	10	M8	G 1/8	R480637931
32	25	M8	G 1/8	R480637932
40	5	M8	G 1/8	R480637933
40	10	M8	G 1/8	R480637934
40	25	M8	G 1/8	R480637935
50	10	M10	G 1/4	R480637936
50	25	M10	G 1/4	R480637937
63	10	M10	G 1/4	R480637938
63	25	M10	G 1/4	R480637939

Dimensions

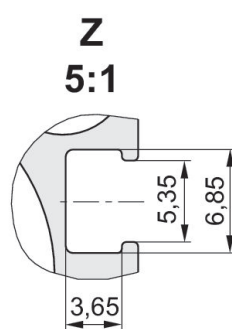
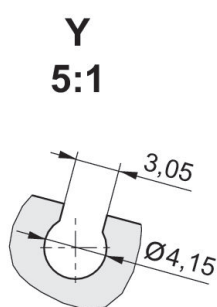
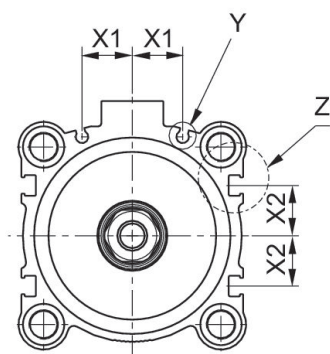
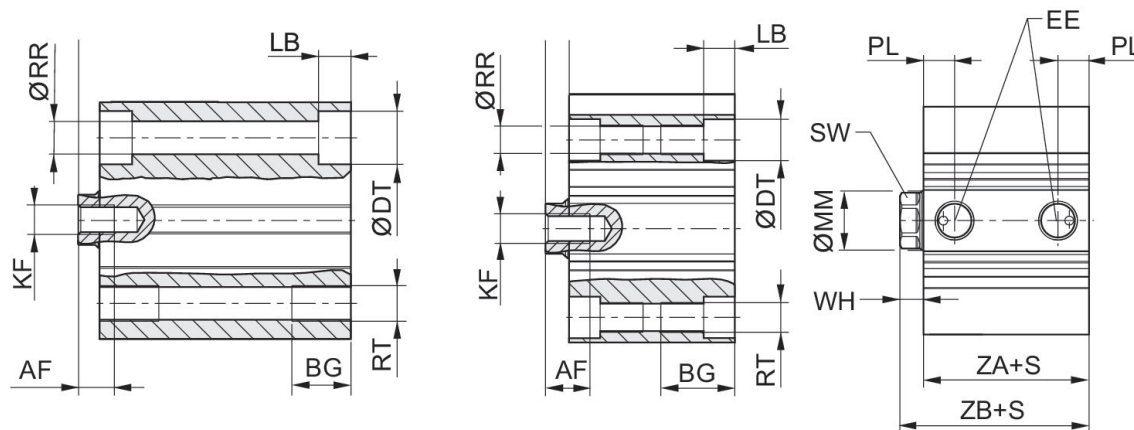
ø32 – 63



ø12 – 25

ø32 – 63

ø12 – 63



S = stroke

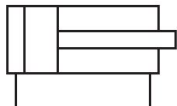
Piston \varnothing	AF	BG	$\varnothing DT$	E	EE	F	KF	LB max.	$\varnothing MM f8$	OH
12	6	7	6.5	25	M5	-	M3	3.5	6	-
16	8	7	6.5	29	M5	-	M4	3.5	8	-
20	7	10	9	36	M5	-	M5	5.5	10	-
25	12	10	9	40	M5	-	M6	5.5	12	-

Piston Ø	AF	BG	ØDT	E	EE	F	KF	LB max.	ØMM f8	OH
32	13	16	9	45	G 1/8	17	M8	5.5	16	27
40	13	16	9	52	G 1/8	17	M8	5.5	16	31
50	15	20	11	64	G 1/4	21	M10	8	20	39
63	15	25	14	77	G 1/4	21	M10	10.5	20	45.5

Piston Ø	PL	ØRR	RT	SW	TG	WH	X1	X2	ZA±0,2	ZB±2
12	5.5	3.7	M4	5	15,5 ±0,3	3,5 ±1,5	0	0	28	31.5
16	5.5	3.7	M4	7	20 ±0,3	3,5 ±1,5	0	0	30.5	34
20	5.5	5.55	M6	8	25,5 ±0,3	4,5 ±1,5	5.7	4.3	31,5 For stroke 11-25 mm + 6.5 mm	36 For stroke 11-25 mm + 6.5 mm
25	5.5	5.55	M6	10	28 ±0,3	5 ±1,5	6	5	32,5 For stroke 11-25 mm + 6.5 mm	37,5 For stroke 11-25 mm + 6.5 mm
32	7.5	5.55	M6	13	34 ±0,3	7 ±2	8.5	7.5	33	40
40	7.5	5.55	M6	13	40 ±0,3	7 ±2	10.8	11	39.5	46.5
50	10.5	7.4	M8	17	50 ±0,5	8 ±2	14	13	40.5	48.5
63	10.5	9.3	M10	17	60 ±0,5	8 ±2	17	17	46	54

Short-stroke cylinder, Series SSI

ISO 15524
Compact and short-stroke cylinders
Industry standard
single
Piston without magnet
Elastic cushioning
Piston rod: internal thread
Internal thread
Double-acting



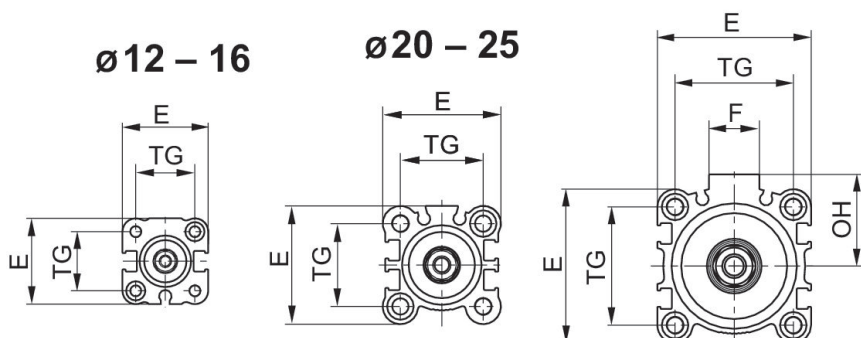
Piston Ø [mm]	Stroke [mm]	Piston rod thread	Compressed air connection	Part No.
12	5	M3	M5	R480637830
12	10	M3	M5	R480637831
12	15	M3	M5	R480637832
12	20	M3	M5	R480637833
12	25	M3	M5	R480637834
16	5	M4	M5	R480637835
16	10	M4	M5	R480637836
16	15	M4	M5	R480637837
16	20	M4	M5	R480637838
16	25	M4	M5	R480637839
16	30	M4	M5	R480637840
20	5	M5	M5	R480637841
20	10	M5	M5	R480637842
20	15	M5	M5	R480637843
20	20	M5	M5	R480637844
20	25	M5	M5	R480637845
20	30	M5	M5	R480637846
20	40	M5	M5	R480637847
20	50	M5	M5	R480637848
25	5	M6	M5	R480637849
25	10	M6	M5	R480637850
25	15	M6	M5	R480637851
25	20	M6	M5	R480637852
25	25	M6	M5	R480637853
25	30	M6	M5	R480637854
25	40	M6	M5	R480637855
25	50	M6	M5	R480637856
32	5	M8	G 1/8	R480637857
32	10	M8	G 1/8	R480637858
32	15	M8	G 1/8	R480637859

Piston Ø [mm]	Stroke [mm]	Piston rod thread	Compressed air connection	Part No.
32	20	M8	G 1/8	R480637860
32	25	M8	G 1/8	R480637861
32	30	M8	G 1/8	R480637862
32	40	M8	G 1/8	R480637863
32	50	M8	G 1/8	R480637864
32	80	M8	G 1/8	R480644580
32	100	M8	G 1/8	R480644582
40	5	M8	G 1/8	R480637865
40	10	M8	G 1/8	R480637866
40	15	M8	G 1/8	R480637867
40	20	M8	G 1/8	R480637868
40	25	M8	G 1/8	R480637869
40	30	M8	G 1/8	R480637870
40	40	M8	G 1/8	R480637871
40	50	M8	G 1/8	R480637872
40	80	M8	G 1/8	R480641942
40	100	M8	G 1/8	R480644583
50	5	M10	G 1/4	R480637873
50	10	M10	G 1/4	R480637874
50	15	M10	G 1/4	R480637875
50	20	M10	G 1/4	R480637876
50	25	M10	G 1/4	R480637877
50	30	M10	G 1/4	R480637878
50	40	M10	G 1/4	R480637879
50	50	M10	G 1/4	R480637880
50	80	M10	G 1/4	R480637881
50	100	M10	G 1/4	R480637882
63	5	M10	G 1/4	R480637883
63	10	M10	G 1/4	R480637884
63	15	M10	G 1/4	R480637885
63	20	M10	G 1/4	R480637886
63	25	M10	G 1/4	R480637887
63	30	M10	G 1/4	R480637888
63	40	M10	G 1/4	R480637889
63	50	M10	G 1/4	R480637890
63	80	M10	G 1/4	R480637891
63	100	M10	G 1/4	R480637892
80	5	M16	G 3/8	R480637893
80	10	M16	G 3/8	R480637894
80	15	M16	G 3/8	R480637895
80	20	M16	G 3/8	R480637896

Piston Ø [mm]	Stroke [mm]	Piston rod thread	Compressed air connection	Part No.
80	25	M16	G 3/8	R480637897
80	30	M16	G 3/8	R480637898
80	40	M16	G 3/8	R480637899
80	50	M16	G 3/8	R480637900
80	80	M16	G 3/8	R480637901
80	100	M16	G 3/8	R480637902
100	5	M20	G 3/8	R480637903
100	10	M20	G 3/8	R480637904
100	15	M20	G 3/8	R480637905
100	20	M20	G 3/8	R480637906
100	25	M20	G 3/8	R480637907
100	30	M20	G 3/8	R480637908
100	40	M20	G 3/8	R480637909
100	50	M20	G 3/8	R480637910
100	80	M20	G 3/8	R480637911
100	100	M20	G 3/8	R480637912

Dimensions

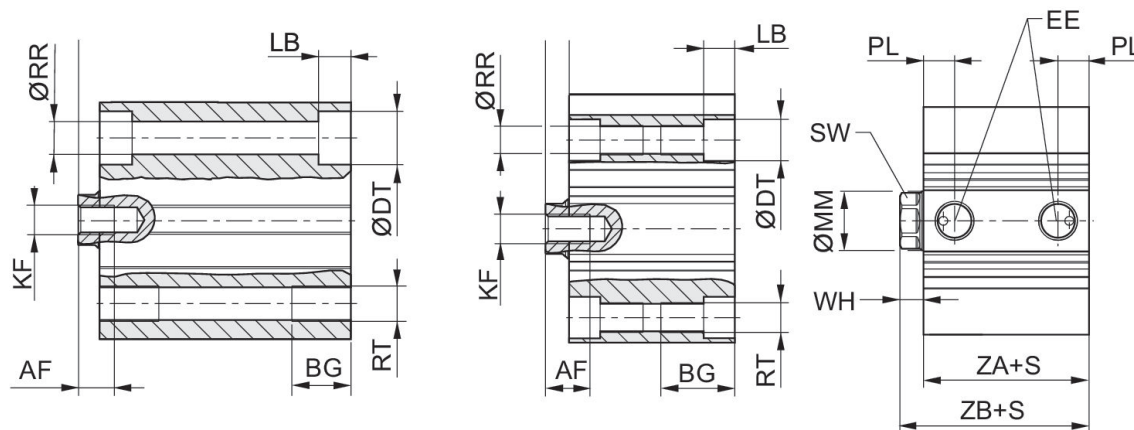
ø32 – 100



ø12 – 25

ø32 – 100

ø12 – 100



S = stroke

Piston Ø	AF	BG	ØDT	E	EE	F	KF	LB max.	ØMM f8	OH
12	6	7	6.5	25	M5	-	M3	3.5	6	-
16	8	7	6.5	29	M5	-	M4	3.5	8	-
20	7	10	9	36	M5	-	M5	5.5	10	-
25	12	10	9	40	M5	-	M6	5.5	12	-
32	13	16	9	45	G 1/8	17	M8	5.5	16	27
40	13	16	9	52	G 1/8	17	M8	5.5	16	31
50	15	20	11	64	G 1/4	21	M10	8	20	39
63	15	25	14	77	G 1/4	21	M10	10.5	20	45.5
80	21	30	17.5	98	G 3/8	26	M16	13.5	25	59
100	27	30	17.5	117	G 3/8	26	M20	13.5	32	65

Piston Ø	ØRR	RT	SW	TG	WH	S	PL	ZA±0,2	ZB±2
12	3.7	M4	5	15,5 ±0,3	3,5 ±1,5	2-4 ≥5	4,5 5,5	17	20.5
16	3.7	M4	7	20 ±0,3	3,5 ±1,5	≥2	5.5	18.5	22
20	5.55	M6	8	25,5 ±0,3	4,5 ±1,5	≥2	5.5	19.5	24
25	5.55	M6	10	28 ±0,3	5 ±1,5	≥2	5.5	22.5	27
32	5.55	M6	13	34 ±0,3	7 ±2	2-4 ≥5	6,3 7,5	23	30
40	5.55	M6	13	40 ±0,3	7 ±2	≥2	7.5	29.5	36.5
50	7.4	M8	17	50 ±0,5	8 ±2	2-8 ≥9	8,2 10,5	30.5	38.5
63	9.3	M10	17	60 ±0,5	8 ±2	≥2	10.5	36	44
80	11.2	M12	22	77 ±0,5	10 ±2	≥2	12.5	43.5	53.5
100	11.2	M12	27	94 ±0,5	12 ±2,5	≥2	14	53	65

Short-stroke cylinder, Series SSI

ISO 15524
Compact and short-stroke cylinders
Industry standard
single
Piston with magnet
Elastic cushioning
Piston rod: internal thread
Internal thread
Double-acting



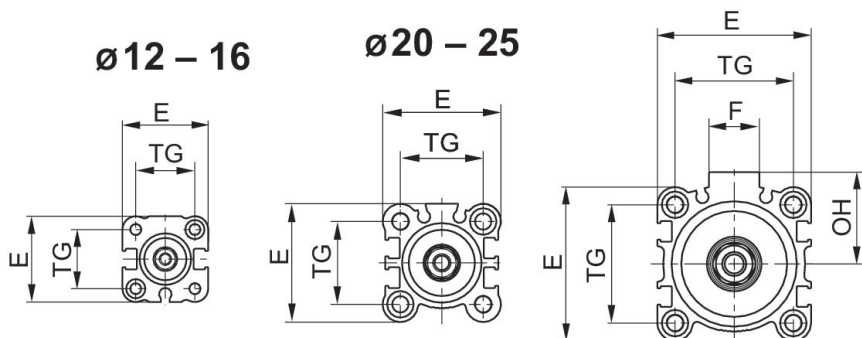
Piston Ø [mm]	Stroke [mm]	Piston rod thread	Compressed air connection	Part No.
12	5	M3	M5	R412019800
12	10	M3	M5	R412019801
12	15	M3	M5	R412019802
12	20	M3	M5	R412019803
12	25	M3	M5	R412019804
12	30	M3	M5	R412019805
12	40	M3	M5	R412019806
12	50	M3	M5	R412019807
16	5	M4	M5	R412019808
16	10	M4	M5	R412019809
16	15	M4	M5	R412019810
16	20	M4	M5	R412019811
16	25	M4	M5	R412019812
16	30	M4	M5	R412019813
16	40	M4	M5	R412019814
16	50	M4	M5	R412019815
20	5	M5	M5	R412019816
20	10	M5	M5	R412019817
20	15	M5	M5	R412019818
20	20	M5	M5	R412019819
20	25	M5	M5	R412019820
20	30	M5	M5	R412019821
20	40	M5	M5	R412019822
20	50	M5	M5	R412019823
25	5	M6	M5	R412019824
25	10	M6	M5	R412019825
25	15	M6	M5	R412019826
25	20	M6	M5	R412019827
25	25	M6	M5	R412019828
25	30	M6	M5	R412019829

Piston Ø [mm]	Stroke [mm]	Piston rod thread	Compressed air connection	Part No.
25	40	M6	M5	R412019830
25	50	M6	M5	R412019831
32	5	M8	G 1/8	R412019832
32	10	M8	G 1/8	R412019833
32	15	M8	G 1/8	R412019834
32	20	M8	G 1/8	R412019835
32	25	M8	G 1/8	R412019836
32	30	M8	G 1/8	R412019837
32	40	M8	G 1/8	R412019838
32	50	M8	G 1/8	R412019839
32	80	M8	G 1/8	R412019840
32	100	M8	G 1/8	R412019841
40	5	M8	G 1/8	R412019842
40	10	M8	G 1/8	R412019843
40	15	M8	G 1/8	R412019844
40	20	M8	G 1/8	R412019845
40	25	M8	G 1/8	R412019846
40	30	M8	G 1/8	R412019847
40	40	M8	G 1/8	R412019848
40	50	M8	G 1/8	R412019849
40	80	M8	G 1/8	R412019850
40	100	M8	G 1/8	R412019851
50	5	M10	G 1/4	R412019852
50	10	M10	G 1/4	R412019853
50	15	M10	G 1/4	R412019854
50	20	M10	G 1/4	R412019855
50	25	M10	G 1/4	R412019856
50	30	M10	G 1/4	R412019857
50	40	M10	G 1/4	R412019858
50	50	M10	G 1/4	R412019859
50	80	M10	G 1/4	R412019860
50	100	M10	G 1/4	R412019861
63	5	M10	G 1/4	R412019862
63	10	M10	G 1/4	R412019863
63	15	M10	G 1/4	R412019864
63	20	M10	G 1/4	R412019865
63	25	M10	G 1/4	R412019866
63	30	M10	G 1/4	R412019867
63	40	M10	G 1/4	R412019868
63	50	M10	G 1/4	R412019869
63	80	M10	G 1/4	R412019870

Piston Ø [mm]	Stroke [mm]	Piston rod thread	Compressed air connection	Part No.
63	100	M10	G 1/4	R412019871
80	5	M16	G 3/8	R412019872
80	10	M16	G 3/8	R412019873
80	15	M16	G 3/8	R412019874
80	20	M16	G 3/8	R412019875
80	25	M16	G 3/8	R412019876
80	30	M16	G 3/8	R412019877
80	40	M16	G 3/8	R412019878
80	50	M16	G 3/8	R412019879
80	80	M16	G 3/8	R412019880
80	100	M16	G 3/8	R412019881
100	5	M20	G 3/8	R412019882
100	10	M20	G 3/8	R412019883
100	15	M20	G 3/8	R412019884
100	20	M20	G 3/8	R412019885
100	25	M20	G 3/8	R412019886
100	30	M20	G 3/8	R412019887
100	40	M20	G 3/8	R412019888
100	50	M20	G 3/8	R412019889
100	80	M20	G 3/8	R412019890
100	100	M20	G 3/8	R412019891

Dimensions

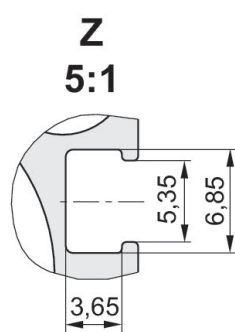
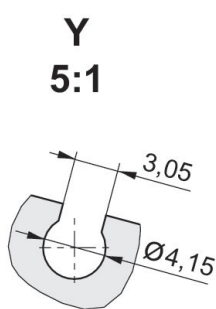
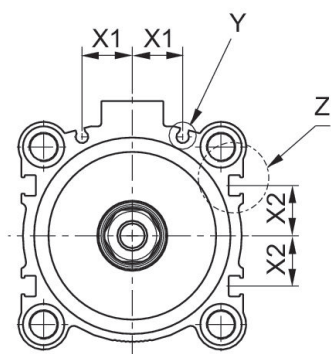
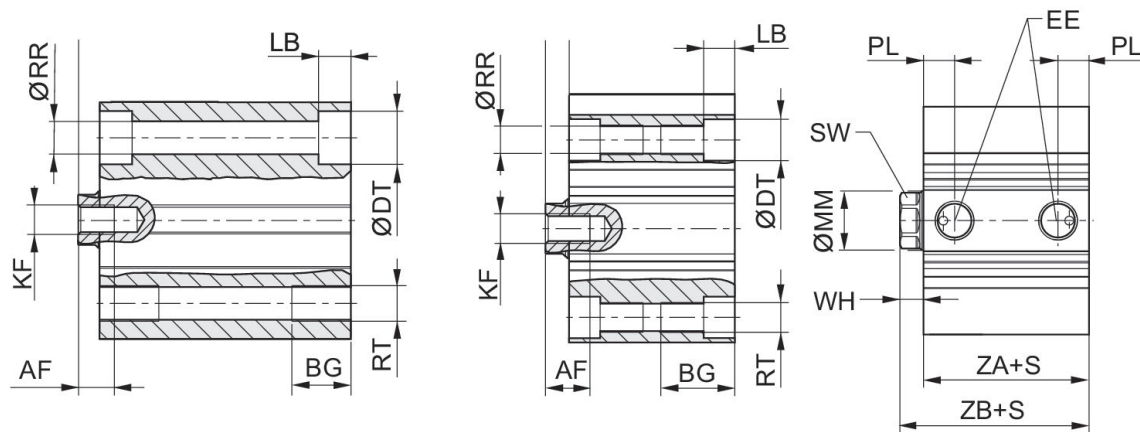
ø32 – 100



ø12 – 25

ø32 – 100

ø12 – 100



S = stroke

Piston Ø	AF	BG	ØDT	E	EE	F	KF	LB max.	ØMM f8	OH
12	6	7	6.5	25	M5	-	M3	3.5	6	-
16	8	7	6.5	29	M5	-	M4	3.5	8	-
20	7	10	9	36	M5	-	M5	5.5	10	-
25	12	10	9	40	M5	-	M6	5.5	12	-

Piston Ø	AF	BG	ØDT	E	EE	F	KF	LB max.	ØMM f8	OH
32	13	16	9	45	G 1/8	17	M8	5.5	16	27
40	13	16	9	52	G 1/8	17	M8	5.5	16	31
50	15	20	11	64	G 1/4	21	M10	8	20	39
63	15	25	14	77	G 1/4	21	M10	10.5	20	45.5
80	21	30	17.5	98	G 3/8	26	M16	13.5	25	59
100	27	30	17.5	117	G 3/8	26	M20	13.5	32	65

Piston Ø	PL	ØRR	RT	SW	TG	WH	X1	X2	ZA±0,2	ZB±2
12	5.5	3.7	M4	5	15,5 ±0,3	3,5 ±1,5	0	0	28	31.5
16	5.5	3.7	M4	7	20 ±0,3	3,5 ±1,5	0	0	30.5	34
20	5.5	5.55	M6	8	25,5 ±0,3	4,5 ±1,5	5.7	4.3	31.5	36
25	5.5	5.55	M6	10	28 ±0,3	5 ±1,5	6	5	32.5	37.5
32	7.5	5.55	M6	13	34 ±0,3	7 ±2	8.5	7.5	33	40
40	7.5	5.55	M6	13	40 ±0,3	7 ±2	10.8	11	39.5	46.5
50	10.5	7.4	M8	17	50 ±0,5	8 ±2	14	13	40.5	48.5
63	10.5	9.3	M10	17	60 ±0,5	8 ±2	17	17	46	54
80	12.5	11.2	M12	22	77 ±0,5	10 ±2	23.5	21	53.5	63.5
100	14	11.2	M12	27	94 ±0,5	12 ±2,5	31	28	63	75

Short-stroke cylinder, Series SSI

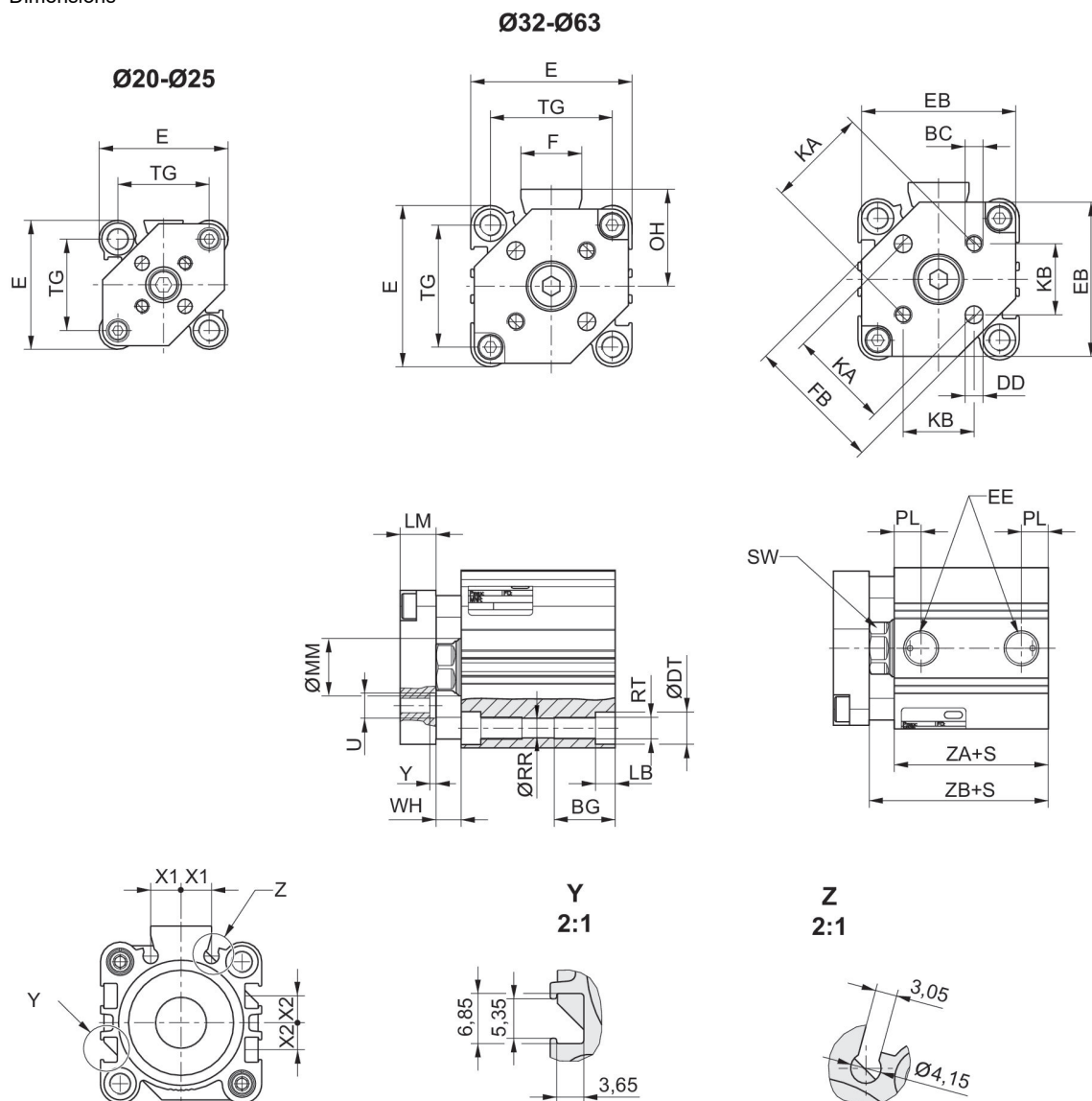
ISO 15524
Compact and short-stroke cylinders
Industry standard
non-rotating, with front plate
Piston with magnet
Elastic cushioning
Piston rod: internal thread
Internal thread
Double-acting



Piston Ø [mm]	Stroke [mm]	Compressed air connection	Part No.
20	5	M5	R480637940
20	10	M5	R480637941
20	15	M5	R480637942
20	20	M5	R480637943
20	25	M5	R480637944
20	30	M5	R480637945
20	40	M5	R480637946
20	50	M5	R480637947
25	5	M5	R480637948
25	10	M5	R480637949
25	15	M5	R480637950
25	20	M5	R480637951
25	25	M5	R480637952
25	30	M5	R480637953
25	40	M5	R480637954
25	50	M5	R480637955
32	5	G 1/8	R480637956
32	10	G 1/8	R480637957
32	15	G 1/8	R480637958
32	20	G 1/8	R480637959
32	25	G 1/8	R480637960
32	30	G 1/8	R480637961
32	40	G 1/8	R480637962
32	50	G 1/8	R480637963
32	80	G 1/8	R480644584
32	100	G 1/8	R480641813
40	5	G 1/8	R480637964
40	10	G 1/8	R480637965
40	15	G 1/8	R480637966
40	20	G 1/8	R480637967

Piston Ø [mm]	Stroke [mm]	Compressed air connection	Part No.
40	25	G 1/8	R480637968
40	30	G 1/8	R480637969
40	40	G 1/8	R480637970
40	50	G 1/8	R480637971
40	80	G 1/8	R480644585
40	100	G 1/8	R480644586
50	5	G 1/4	R480637972
50	10	G 1/4	R480637973
50	15	G 1/4	R480637974
50	20	G 1/4	R480637975
50	25	G 1/4	R480637976
50	30	G 1/4	R480637977
50	40	G 1/4	R480637978
50	50	G 1/4	R480637979
50	80	G 1/4	R480637980
50	100	G 1/4	R480637981
63	5	G 1/4	R480637982
63	10	G 1/4	R480637983
63	15	G 1/4	R480637984
63	20	G 1/4	R480637985
63	25	G 1/4	R480637986
63	30	G 1/4	R480637987
63	40	G 1/4	R480637988
63	50	G 1/4	R480637989
63	80	G 1/4	R480637990
63	100	G 1/4	R480637991

Dimensions



S = stroke

Piston Ø	BC	BG	ØDD H13	ØDT	E	EB	EE	F	FB	KA
20	M4	16	4	9	36	34	M5	-	26	17 ±0,1
25	M5	16	5	9	40	38	M5	-	30	22 ±0,1
32	M5	16	5	9	45	43	G 1/8	17	38	28 ±0,2
40	M5	16	5	9	52	50	G 1/8	17	46	33 ±0,2
50	M6	20	6	11	64	62	G 1/4	21	58	42 ±0,2
63	M6	25	6	14	77	74	G 1/4	21	69	50 ±0,2

Piston Ø	KB	LB max.	LM	ØMM f8	OH	PL	ØRR	RT	SW	TG
20	12 ±0,1	5.5	8	10	-	5.5	5.55	M6	8	25,5 ±0,3
25	15,6 ±0,1	5.5	8	12	-	5.5	5.55	M6	10	28 ±0,3
32	19,8 ±0,2	5.5	10	16	27	7.5	5.55	M6	13	34 ±0,3

Piston Ø	KB	LB max.	LM	ØMM f8	OH	PL	ØRR	RT	SW	TG
40	23,3 ±0,2	5.5	10	16	31	7.5	5.55	M6	13	40 ±0,3
50	29,7 ±0,2	8	12	20	39	10.5	7.4	M8	17	50 ±0,5
63	35,4 ±0,2	10.5	12	20	45.5	10.5	9.3	M10	17	60 ±0,5

Piston Ø	WH	X1	X2	ZA±0,2	ZB±2
20	4,5 ±1,5	5.7	4.3	29.5	34
25	5 ±1,5	6	5	32.5	37.5
32	7 ±2	8.5	7.5	33	40
40	7 ±2	10.8	11	39.5	46.5
50	8 ±2	14	13	40.5	48.5
63	8 ±2	17	17	46	54

Short-stroke cylinder, Series SSI

ISO 15524

Compact and short-stroke cylinders

Industry standard

single

Piston with magnet

Elastic cushioning

Piston rod: internal thread

Internal thread

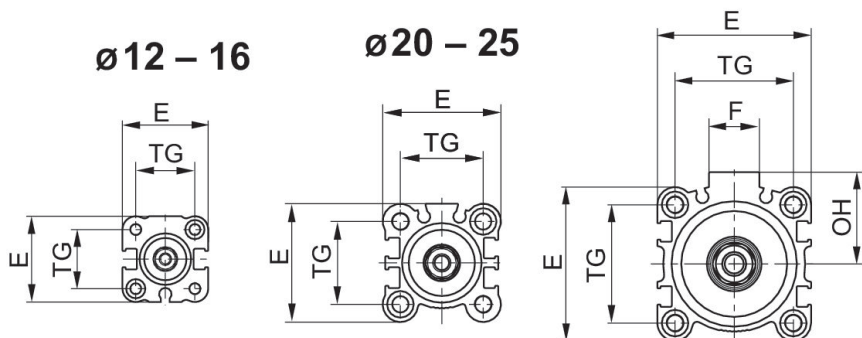
Single-acting, retracted without pressure



Piston Ø [mm]	Stroke [mm]	Piston rod thread	Compressed air connection	Part No.
12	5	M3	10-32 UNF	R481652574
12	10	M3	10-32 UNF	R481653423
16	5	M4	10-32 UNF	R481653432
16	10	M4	10-32 UNF	R481653433
20	5	M5	10-32 UNF	R481653442
20	10	M5	10-32 UNF	R481653443
20	25	M5	10-32 UNF	R481653444
25	5	M6	10-32 UNF	R481652585
25	10	M6	10-32 UNF	R481653461
25	25	M6	10-32 UNF	R481653462
32	5	M8	1/8" NPTF	R481653478
32	10	M8	1/8" NPTF	R481652589
32	25	M8	1/8" NPTF	R481653479
40	5	M8	1/8" NPTF	R481652591
40	10	M8	1/8" NPTF	R481653502
40	25	M8	1/8" NPTF	R481653503
50	5	M10	1/4" NPTF	R481653526
50	10	M10	1/4" NPTF	R481653527
50	25	M10	1/4" NPTF	R481653528
63	5	M10	1/4" NPTF	R481653532
63	10	M10	1/4" NPTF	R481653533
63	25	M10	1/4" NPTF	R481652598

Dimensions

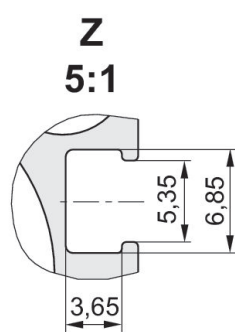
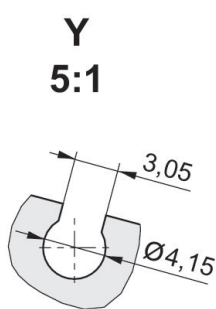
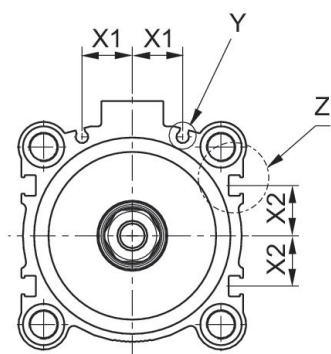
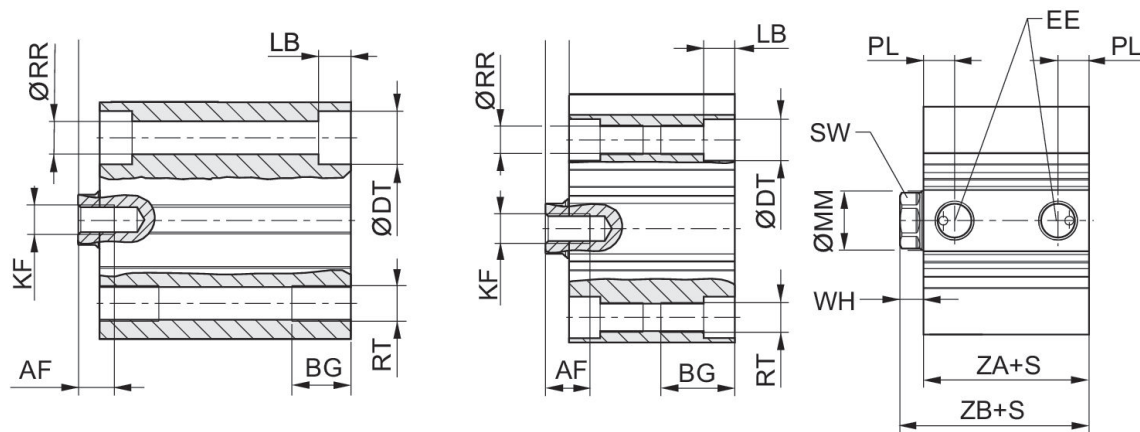
ø32 – 63



ø12 – 25

ø32 – 63

ø12 – 63



S = stroke

Piston Ø	A	AF	BG	ØDT	E	EE	F	KF	LB max.	ØMM f8
12	10.5	6	7	6.5	25	10-32 UNF	-	8-32 UNF	3.5	6
16	12	8	7	6.5	29	10-32 UNF	-	8-32 UNF	3.5	8
20	14	7	10	9	36	10-32 UNF	-	10-32 UNF	5.5	10
25	17.5	12	10	9	40	10-32 UNF	-	1/4-28 UNF	5.5	12

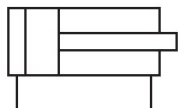
Piston Ø	A	AF	BG	ØDT	E	EE	F	KF	LB max.	ØMM f8
32	21.5	13	16	9	45	1/8" NPTF	17	5/16-24 UNF	5.5	16
40	21.5	13	16	9	52	1/8" NPTF	17	3/8-24 UNF	5.5	16
50	26.5	15	20	11	64	1/4" NPTF	21	1/2-20 UNF	8	20
63	26.5	15	25	14	77	1/4" NPTF	21	1/2-20 UNF	10.5	20

Piston Ø	OH	PL	ØRR	RT	SW	TG	WH	X1	X2	ZA±0,2
12	-	5.5	3.7	8-32 UNC	5	15,5 ±0,3	3,5 ±1,5	0	0	28
16	-	5.5	3.7	8-32 UNC	7	20 ±0,3	3,5 ±1,5	0	0	30.5
20	-	5.5	5.55	10-24 UNC	8	25,5 ±0,3	4,5 ±1,5	5.7	4.275	31,5 For stroke 11-25 mm + 6.5 mm
25	-	5.5	5.55	10-24 UNC	10	28 ±0,3	5 ±1,5	6	5	32,5 For stroke 11-25 mm + 6.5 mm
32	27	7.9	5.55	10-24 UNC	13	34 ±0,3	7 ±2	8.5	7.5	33
40	31	8.2	5.55	10-24 UNC	13	40 ±0,3	7 ±2	10.75	11	39.5
50	39	10.5	7.4	5/16-24 UNC	17	50 ±0,5	8 ±2	14	13	40.5
63	45.5	10.6	9.3	7/16-14 UNC	17	60 ±0,5	8 ±2	17	17	46

Piston Ø	ZB±2
12	31.5
16	34
20	36 For stroke 11-25 mm + 6.5 mm
25	37,5 For stroke 11-25 mm + 6.5 mm
32	40
40	46.5
50	48.5
63	54

Short-stroke cylinder, Series SSI

ISO 15524
Compact and short-stroke cylinders
Industry standard
single
Piston without magnet
Elastic cushioning
Piston rod: internal thread
Internal thread
Double-acting

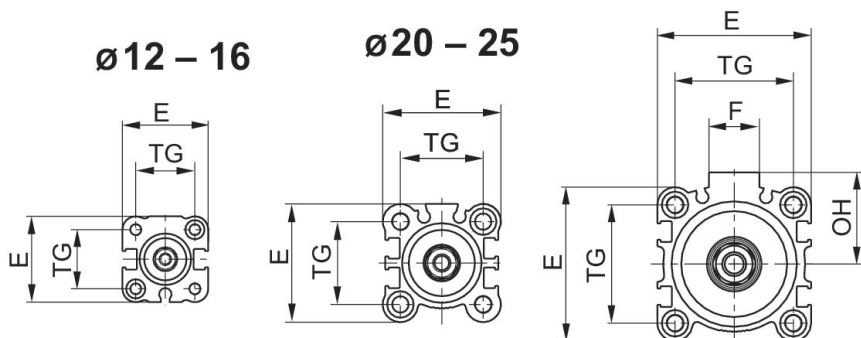


Piston Ø [mm]	Stroke [mm]	Piston rod thread	Compressed air connection	Part No.
12	5	M3	10-32 UNF	R481653424
12	10	M3	10-32 UNF	R481653425
12	25	M3	10-32 UNF	R481653426
16	5	M4	10-32 UNF	R481653434
16	10	M4	10-32 UNF	R481653435
16	25	M4	10-32 UNF	R481653436
16	30	M4	10-32 UNF	R481652464
20	5	M5	10-32 UNF	R481653445
20	10	M5	10-32 UNF	R481653446
20	25	M5	10-32 UNF	R481653447
20	30	M5	10-32 UNF	R481653448
20	40	M5	10-32 UNF	R481653449
20	50	M5	10-32 UNF	R481652581
25	5	M6	10-32 UNF	R481653463
25	10	M6	10-32 UNF	R481653464
25	25	M6	10-32 UNF	R481653465
25	30	M6	10-32 UNF	R481653466
25	40	M6	10-32 UNF	R481652455
25	50	M6	10-32 UNF	R481653467
32	5	M8	10-32 UNF	R481653480
32	10	M8	1/8" NPTF	R481653481
32	25	M8	1/8" NPTF	R481651942
32	30	M8	1/8" NPTF	R481653482
32	40	M8	1/8" NPTF	R481653483
32	50	M8	1/8" NPTF	R481653484
32	80	M8	1/8" NPTF	R481653485
32	100	M8	1/8" NPTF	R481653486
40	5	M8	1/8" NPTF	R481653504
40	10	M8	1/8" NPTF	R481653505
40	25	M8	1/8" NPTF	R481653506

Piston Ø [mm]	Stroke [mm]	Piston rod thread	Compressed air connection	Part No.
40	30	M8	1/8" NPTF	R481653507
40	40	M8	1/8" NPTF	R481653508
40	50	M8	1/8" NPTF	R481653509
40	80	M8	1/8" NPTF	R481653510
40	100	M8	1/8" NPTF	R481653511
50	5	M10	1/8" NPTF	R481653529
50	10	M10	1/4" NPTF	R481654727
50	25	M10	1/4" NPTF	R481654705
50	30	M10	1/4" NPTF	R481654721
50	40	M10	1/4" NPTF	R481654712
50	50	M10	1/4" NPTF	R481654706
50	80	M10	1/4" NPTF	R481654732
50	100	M10	1/4" NPTF	R481654715
63	10	M10	1/4" NPTF	R481653534
63	25	M10	1/4" NPTF	R481652614
63	30	M10	1/4" NPTF	R481653535
63	40	M10	1/4" NPTF	R481653536
63	50	M10	1/4" NPTF	R481653537
63	80	M10	1/4" NPTF	R481653538
63	100	M10	1/4" NPTF	R481653539
80	5	M16	3/8" NPTF	R481653553
80	10	M16	3/8" NPTF	R481653554
80	25	M16	3/8" NPTF	R481653555
80	30	M16	3/8" NPTF	R481653556
80	40	M16	3/8" NPTF	R481653557
80	50	M16	3/8" NPTF	R481653558
80	80	M16	3/8" NPTF	R481653559
80	100	M16	3/8" NPTF	R481652457
100	5	M20	3/8" NPTF	R481653567
100	10	M20	3/8" NPTF	R481653568
100	25	M20	3/8" NPTF	R481652599
100	30	M20	3/8" NPTF	R481653569
100	40	M20	3/8" NPTF	R481653570
100	50	M20	3/8" NPTF	R481653571
100	80	M20	3/8" NPTF	R481653572
100	100	M20	3/8" NPTF	R481653573

Dimensions

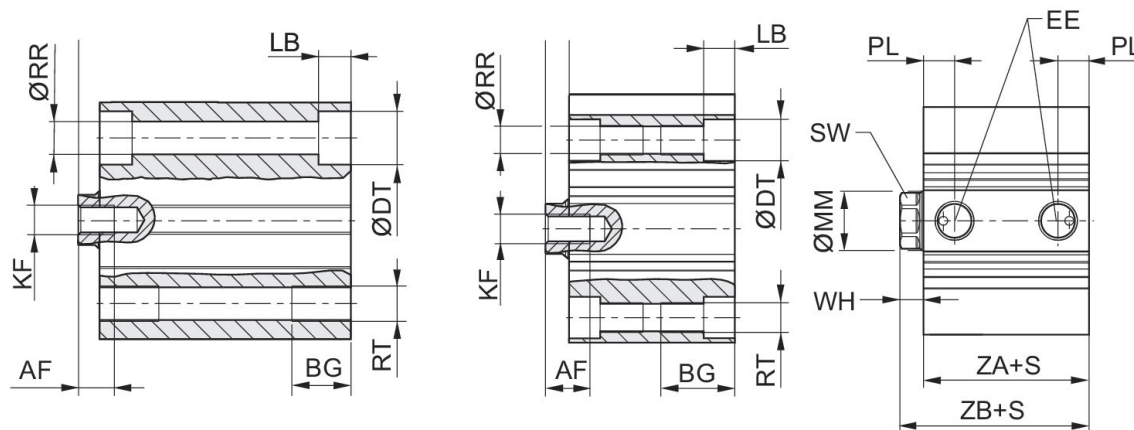
ø32 – 100



ø12 – 25

ø32 – 100

ø12 – 100



S = stroke

Piston Ø	AF	BG	ØDT	E	EE	F	KF	LB max.	ØMM f8	OH
12	6	7	6.5	25	10-32 UNF	-	8-32 UNC	3.5	6	-
16	8	7	6.5	29	10-32 UNF	-	8-32 UNC	3.5	8	-
20	7	10	9	36	10-32 UNF	-	10-32 UNF	5.5	10	-
25	12	10	9	40	10-32 UNF	-	1/4-28 UNF	5.5	12	-
32	13	16	9	45	1/8" NPTF	17	5/16-24 UNF	5.5	16	27
40	13	16	9	52	1/8" NPTF	17	3/8-24 UNF	5.5	16	31
50	15	20	11	64	1/4" NPTF	21	1/2-20 UNF	8	20	39
63	15	25	14	77	1/4" NPTF	21	1/2-20 UNF	10.5	20	45.5
80	21	30	17.5	98	3/8" NPTF	26	5/8-18 UNF	13.5	25	59
100	27	30	17.5	117	3/8" NPTF	26	3/4-16 UNF	13.5	32	65

Piston Ø	ØRR	RT	SW	TG	WH	S	PL	ZA±0,2	ZB±2
12	3.7	8-32 UNC	5	15,5 ±0,3	3,5 ±1,5	2-4 ≥5	4,5 5,5	17	20.5
16	3.7	8-32 UNC	7	20 ±0,3	3,5 ±1,5	≥2	5.5	18.5	22
20	5.55	10-24 UNC	8	25,5 ±0,3	4,5 ±1,5	≥2	5.5	19.5	24

Piston Ø	ØRR	RT	SW	TG	WH	S	PL	ZA±0,2	ZB±2
25	5.55	10-24 UNC	10	28 ±0,3	5 ±1,5	≥2	5.5	22.5	27
32	5.55	10-24 UNC	13	34 ±0,3	7 ±2	2-5 ≥6	5,5 7,9	23	30
40	5.55	10-24 UNC	13	40 ±0,3	7 ±2	≥2	8.2	29.5	36.5
50	7.4	5/16-24 UNF	17	50 ±0,5	8 ±2	2-9 ≥10	8,2 10,5	30.5	38.5
63	9.3	7/16-14 UNC	17	60 ±0,5	8 ±2	≥2	10.6	36	44
80	11.2	1/2-13 UNC	22	77 ±0,5	10 ±2	≥2	12.5	43.5	53.5
100	11.2	1/2-13 UNC	27	94 ±0,5	12 ±2,5	≥2	14	53	65

Short-stroke cylinder, Series SSI

ISO 15524
Compact and short-stroke cylinders
Industry standard
single
Piston with magnet
Elastic cushioning
Piston rod: internal thread
Internal thread
Double-acting

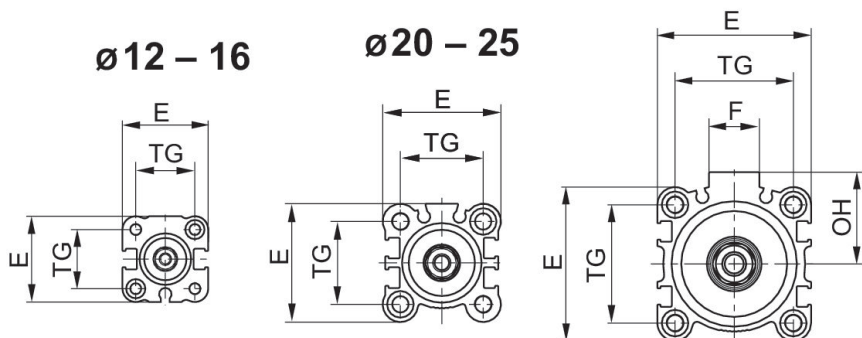


Piston Ø [mm]	Stroke [mm]	Piston rod thread	Compressed air connection	Part No.
12	5	M3	10-32 UNF	R481653427
12	10	M3	10-32 UNF	R481653428
12	25	M3	10-32 UNF	R481652643
12	30	M3	10-32 UNF	R481653429
12	40	M3	10-32 UNF	R481653430
12	50	M3	10-32 UNF	R481653431
16	5	M4	10-32 UNF	R481653437
16	10	M4	10-32 UNF	R481653438
16	25	M4	10-32 UNF	R481653439
16	30	M4	10-32 UNF	R481653440
16	40	M4	10-32 UNF	R481653441
16	50	M4	10-32 UNF	R481652578
20	5	M5	10-32 UNF	R481653450
20	10	M5	10-32 UNF	R481653451
20	25	M5	10-32 UNF	R481653452
20	30	M5	10-32 UNF	R481653453
20	40	M5	10-32 UNF	R481653454
20	50	M5	10-32 UNF	R481653455
25	5	M6	10-32 UNF	R481653468
25	10	M6	10-32 UNF	R481652652
25	25	M6	10-32 UNF	R481653469
25	30	M6	10-32 UNF	R481653470
25	40	M6	10-32 UNF	R481653471
25	50	M6	10-32 UNF	R481653472
32	5	M8	1/8" NPTF	R481653487
32	10	M8	1/8" NPTF	R481653488
32	25	M8	1/8" NPTF	R481653489
32	30	M8	1/8" NPTF	R481653490
32	40	M8	1/8" NPTF	R481653491
32	50	M8	1/8" NPTF	R481653492

Piston Ø [mm]	Stroke [mm]	Piston rod thread	Compressed air connection	Part No.
32	80	M8	1/8" NPTF	R481653493
32	100	M8	1/8" NPTF	R481653494
40	5	M8	1/8" NPTF	R481653512
40	10	M8	1/8" NPTF	R481653513
40	25	M8	1/8" NPTF	R481653514
40	30	M8	1/8" NPTF	R481652477
40	40	M8	1/8" NPTF	R481653515
40	50	M8	1/8" NPTF	R481653516
40	80	M8	1/8" NPTF	R481653517
40	100	M8	1/8" NPTF	R481653518
50	5	M10	1/4" NPTF	R481653530
50	10	M10	1/4" NPTF	R481654745
50	25	M10	1/4" NPTF	R481654746
50	30	M10	1/4" NPTF	R481654747
50	40	M10	1/4" NPTF	R481654748
50	50	M10	1/4" NPTF	R481654749
50	80	M10	1/4" NPTF	R481654750
50	100	M10	1/4" NPTF	R481654751
63	10	M10	1/4" NPTF	R481652479
63	25	M10	1/4" NPTF	R481653540
63	30	M10	1/4" NPTF	R481653541
63	40	M10	1/4" NPTF	R481653542
63	50	M10	1/4" NPTF	R481653543
63	80	M10	1/4" NPTF	R481653544
63	100	M10	1/4" NPTF	R481653545
80	5	M16	3/8" NPTF	R481653560
80	10	M16	3/8" NPTF	R481653561
80	25	M16	3/8" NPTF	R481653562
80	30	M16	3/8" NPTF	R481653563
80	40	M16	3/8" NPTF	R481653564
80	50	M16	3/8" NPTF	R481653565
80	80	M16	3/8" NPTF	R481653566
80	100	M16	3/8" NPTF	R481652613
100	5	M20	3/8" NPTF	R481653574
100	10	M20	3/8" NPTF	R481653575
100	25	M20	3/8" NPTF	R481653576
100	30	M20	3/8" NPTF	R481653577
100	40	M20	3/8" NPTF	R481652463
100	50	M20	3/8" NPTF	R481653578
100	80	M20	3/8" NPTF	R481653579
100	100	M20	3/8" NPTF	R481653580

Dimensions

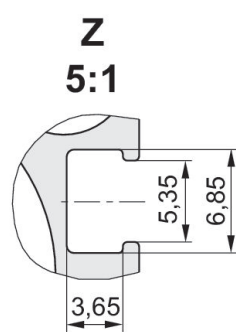
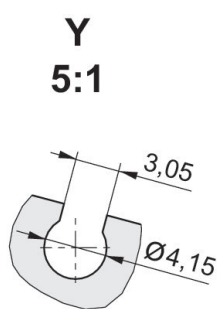
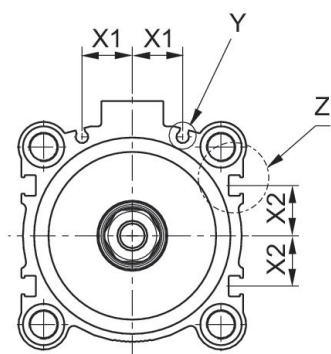
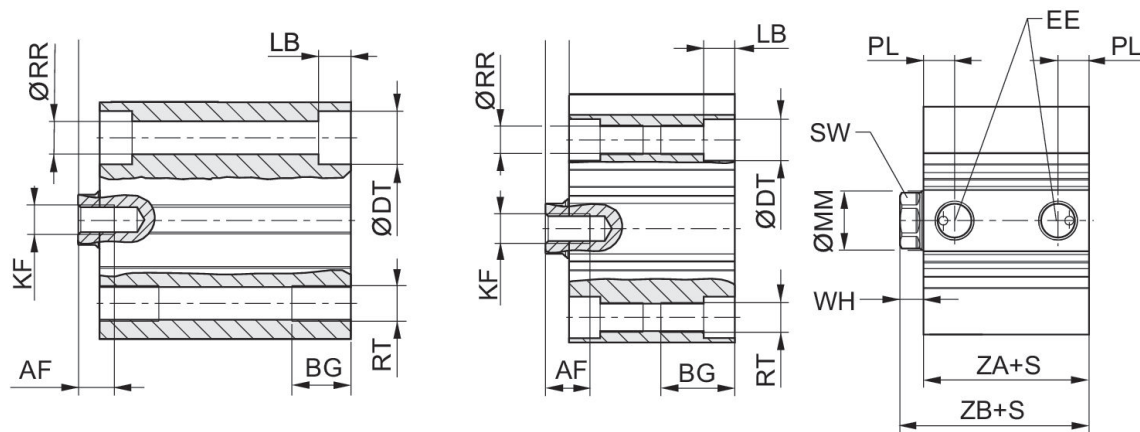
ø32 – 100



ø12 – 25

ø32 – 100

ø12 – 100



S = stroke

Piston Ø	AF	BG	ØDT	E	EE	F	KF	LB max.	ØMM f8	OH
12	6	7	6.5	25	10-32 UNF	-	8-32 UNC	3.5	6	-
16	8	7	6.5	29	10-32 UNF	-	8-32 UNC	3.5	8	-
20	7	10	9	36	10-32 UNF	-	10-32 UNF	5.5	10	-
25	12	10	9	40	10-32 UNF	-	1/4-28 UNF	5.5	12	-

Piston Ø	AF	BG	ØDT	E	EE	F	KF	LB max.	ØMM f8	OH
32	13	16	9	45	1/8" NPTF	17	5/16-24 UNF	5.5	16	27
40	13	16	9	52	1/8" NPTF	17	3/8-24 UNF	5.5	16	31
50	15	20	11	64	1/4" NPTF	21	1/2-20 UNF	8	20	39
63	15	25	14	77	1/4" NPTF	21	1/2-20 UNF	10.5	20	45.5
80	21	30	17.5	98	3/8" NPTF	26	5/8-18 UNF	13.5	25	59
100	27	30	17.5	117	3/8" NPTF	26	3/4-16 UNF	13.5	32	65

Piston Ø	ØRR	RT	SW	TG	WH	S	PL	ZA±0,2	ZB±2
12	3.7	8-32 UNC	5	15,5 ±0,3	3,5 ±1,5	2-4 ≥5	4,5 5,5	17	20.5
16	3.7	8-32 UNC	7	20 ±0,3	3,5 ±1,5	≥2	5.5	18.5	22
20	5.55	10-24 UNC	8	25,5 ±0,3	4,5 ±1,5	≥2	5.5	19.5	24
25	5.55	10-24 UNC	10	28 ±0,3	5 ±1,5	≥2	5.5	22.5	27
32	5.55	10-24 UNC	13	34 ±0,3	7 ±2	2-5 ≥6	5,5 7,9	23	30
40	5.55	10-24 UNC	13	40 ±0,3	7 ±2	≥2	8.2	29.5	36.5
50	7.4	5/16-24 UNF	17	50 ±0,5	8 ±2	2-9 ≥10	8,2 10,5	30.5	38.5
63	9.3	7/16-14 UNC	17	60 ±0,5	8 ±2	≥2	10.6	36	44
80	11.2	1/2-13 UNC	22	77 ±0,5	10 ±2	≥2	12.5	43.5	53.5
100	11.2	1/2-13 UNC	27	94 ±0,5	12 ±2,5	≥2	14	53	65

Short-stroke cylinder, Series SSI

ISO 15524

Compact and short-stroke cylinders

Industry standard

non-rotating, with front plate

Piston with magnet

Elastic cushioning

Piston rod: internal thread

Internal thread

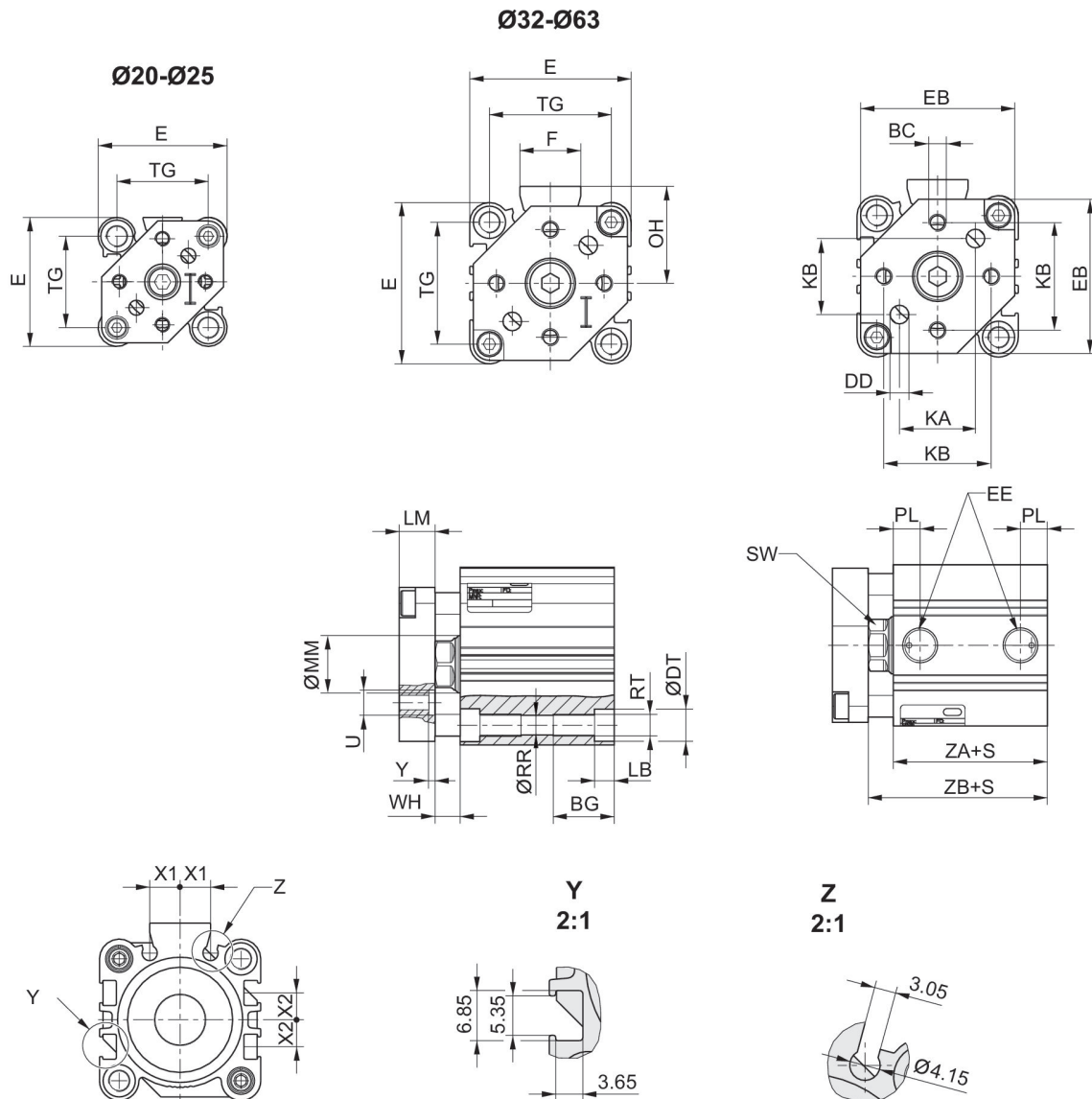
Double-acting



Piston Ø [mm]	Stroke [mm]	Compressed air connection	Part No.
20	5	10-32 UNF	R481653456
20	10	10-32 UNF	R481653457
20	25	10-32 UNF	R481653458
20	30	10-32 UNF	R481652450
20	40	10-32 UNF	R481653459
20	50	10-32 UNF	R481653460
25	5	10-32 UNF	R481653473
25	10	10-32 UNF	R481653474
25	25	10-32 UNF	R481653475
25	30	10-32 UNF	R481653476
25	40	10-32 UNF	R481653477
25	50	10-32 UNF	R481652451
32	5	1/8" NPTF	R481653495
32	10	1/8" NPTF	R481653496
32	25	1/8" NPTF	R481653497
32	30	1/8" NPTF	R481653498
32	40	1/8" NPTF	R481653499
32	50	1/8" NPTF	R481653500
32	80	1/8" NPTF	R481652452
32	100	1/8" NPTF	R481653501
40	5	1/8" NPTF	R481653519
40	10	1/8" NPTF	R481653520
40	25	1/8" NPTF	R481653521
40	30	1/8" NPTF	R481653522
40	40	1/8" NPTF	R481653523
40	50	1/8" NPTF	R481653524
40	80	1/8" NPTF	R481653525
40	100	1/8" NPTF	R481652453
50	5	1/4" NPTF	R481653531
50	10	1/4" NPTF	R481654752

Piston Ø [mm]	Stroke [mm]	Compressed air connection	Part No.
50	25	1/4" NPTF	R481654753
50	30	1/4" NPTF	R481654754
50	40	1/4" NPTF	R481654755
50	50	1/4" NPTF	R481654756
50	80	1/4" NPTF	R481654757
50	100	1/4" NPTF	R481654758
63	10	1/4" NPTF	R481653546
63	25	1/4" NPTF	R481653547
63	30	1/4" NPTF	R481653548
63	40	1/4" NPTF	R481653549
63	50	1/4" NPTF	R481653550
63	80	1/4" NPTF	R481653551
63	100	1/4" NPTF	R481653552

Dimensions



Piston Ø	BC	BG	ØDD H13	ØDT	E	EB	EE	F	FB	KA
20	8-32 UNC	16	4.2	9	36	34	10-32 UNC	-	26	14.5 ±0,1
25	8-32 UNC	16	4.2	9	40	38	10-32 UNC	-	30	16.3 ±0,1
32	10-24 UNC	16	5.2	9	45	43	1/8" NPTF	17	38	21.2 ±0,2
40	1/4-20 UNC	16	6.1	9	52	50	1/8" NPTF	17	46	24.7 ±0,2
50	5/16-18 UNC	20	8.2	11	64	62	1/4" NPTF	21	58	32.2 ±0,2
63	7/16-14 UNC	25	11.5	14	77	74	1/4" NPTF	21	69	35.7 ±0,2

Piston Ø	KB	LB max.	LM	ØMM f8	OH	PL	ØRR	RT	SW	TG
20	24 ±0,1	5.5	8	10	-	5.5	5.55	10-24 UNC	8	25,5 ±0,3
25	28,5 ±0,1	5.5	8	12	-	5.5	5.55	10-24 UNC	10	28 ±0,3
32	30 ±0,2	5.5	10	16	27	7.9	5.55	10-24 UNC	13	34 ±0,3
40	35 ±0,2	5.5	10	16	31	8.2	5.55	10-24 UNC	13	40 ±0,3
50	45,5 ±0,2	8	12	20	39	10.5	7.4	5/16-24 UNF	17	50 ±0,5
63	50,8 ±0,2	10.5	12	20	45.5	10.6	9.3	7/16-14 UNC	17	60 ±0,5

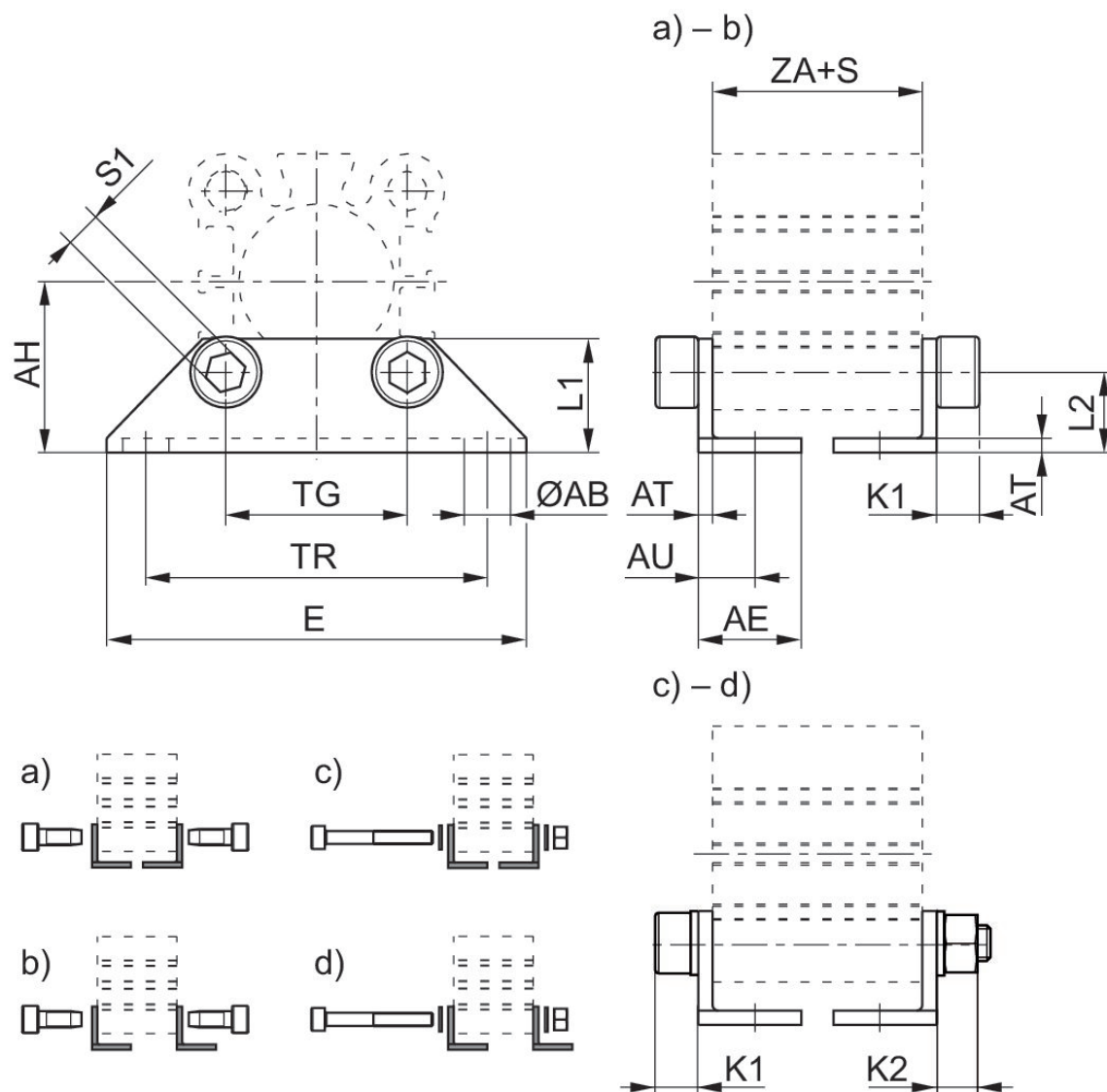
Piston Ø	ØU H13	WH	X1	X2	Y	ZA±0,2	ZB±2
20	7.2	4,5 ±1,5	5.7	4.275	1.6	29.5	34
25	-	5 ±1,5	6	5	-	32.5	37.5
32	-	7 ±2	8.5	7.5	-	33	40
40	-	7 ±2	10.75	11	-	39.5	46.5
50	13.5	8 ±2	14	13	2.5	40.5	48.5
63	16.5	8 ±2	17	17	3.3	46	54

Foot mounting, Series MS9



Piston diameter [mm]	Material	Part No.
12	Stainless Steel	R402006266
16	Stainless Steel	R402006267
20	Stainless Steel	R402006268
25	Stainless Steel	R402006269
32	Stainless Steel	R402006270
40	Stainless Steel	R402006271
50	Stainless Steel	R402006272
63	Stainless Steel	R402006273
80	Steel, chrome-plated	R402006274
100	Steel, chrome-plated	R402006275

Dimensions



S = stroke

Dimensions and cylinder-dependent installation options

Piston Ø	Part No.	Installation options	ZA+S, min.	Min. stroke (with magnetic piston)	Min. stroke (without magnetic piston)	Length of through mounting screw	K1	K2	S1	Ø AB
12	R402006266	b), a)-b)	21 mm, 22 mm	2 mm, 2 mm	4 mm, 5 mm		4 4	-	3 3	4.5
16	R402006267	b), a)-b)	21 mm, 22 mm	2 mm, 2 mm	4 mm, 4 mm		4 4	-	3 3	4.5
20	R402006268	d), c)-d), a)-b)	23,5 mm, 26,5 mm, 29,5 mm	2 mm, 2 mm, 2 mm	4 mm, 7 mm, 10 mm	45 mm	6 6 6	5,7 5,7 -	4 4 5	6.5
25	R402006269	d), a)-b)	26,5 mm, 29,5 mm	2 mm, 2 mm	4 mm, 7 mm	45 mm	6 6	5,7 -	4 5	6.5
32	R402006270	d), c)-d), a)-b)	27 mm, 29 mm, 35 mm	2 mm, 2 mm, 2 mm	4 mm, 6 mm, 12 mm	50 mm	6 6 6	5,7 5,7 -	4 4 5	6.5

Piston Ø	Part No.	Installation options	ZA+S, min.	Min. stroke (with magnetic piston)	Min. stroke (without magnetic piston)	Length of through mounting screw	K1	K2	S1	Ø AB
40	R402006271	c)-d), a)-b)	33,5 mm, 33,5 mm	2 mm, 2 mm	4 mm, 6 mm	50 mm	6 6	5,7 -	4 5	6.5
50	R402006272	d), c)-d), a)-b)	34,5 mm, 39,5 mm, 45,5 mm	2 mm, 2 mm, 5 mm	4 mm, 9 mm, 15 mm	60 mm	7,6 7,6 8	6,8 6,8 -	5 5 6	9
63	R402006273	d), c)-d), a)-b)	40 mm, 43 mm, 53 mm	2 mm, 3 mm, 7 mm	4 mm, 7 mm, 17 mm	80 mm	9,6 9,6 10	8,4 8,4 -	6 6 8	11
80	R402006274	d), c)-d), a)-b)	47,5 mm, 51,5 mm, 61,5 mm	2 mm, 2 mm, 8 mm	4 mm, 8 mm, 18 mm	90 mm	12 12 12	10,4 10,4 -	8 8 10	13
100	R402006275	d), c)-d), a)-b)	57 mm, 58 mm, 61 mm	2 mm, 2 mm, 2 mm	4 mm, 5 mm, 8 mm	90 mm	12 12 12	10,4 10,4 -	8 8 10	13

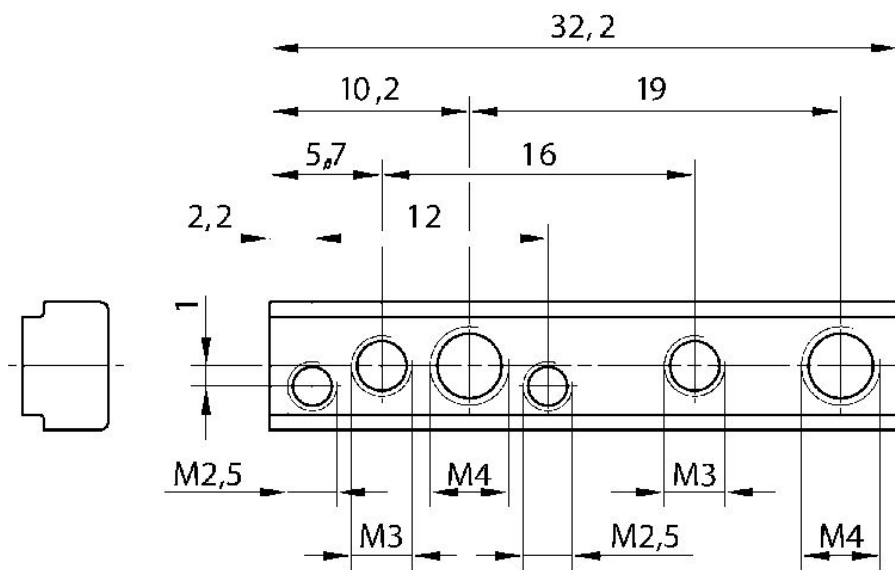
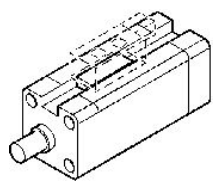
Piston Ø	AE	AH	AT	AU	E	L1	L2	TG	TR
12	12.5	17	2	8	44	13	9.3	15.5	34
16	12.5	19	2	8	47	13	9	20	38
20	14.5	24	2	8	59	16	11.3	25.5	48
25	16	26	2	9.5	63	17	12	28	52
32	16.8	30	3	11	69	18.5	13	34	57
40	17	33	3	11	75	20	13	40	64
50	22	39	3	14.5	93.5	25	14	50	79
63	25	46	4	17	113	25	16	60	95
80	30	59	5	20	138	35	20.5	77	118
100	33.5	71	5	22	159	40	24	94	137

Scope of delivery: 2 foot mountings incl. mounting screws
 ZA + S = cylinder length incl. stroke
 S = stroke

Mounting kit



Material	Part No.
Brass	1827020275



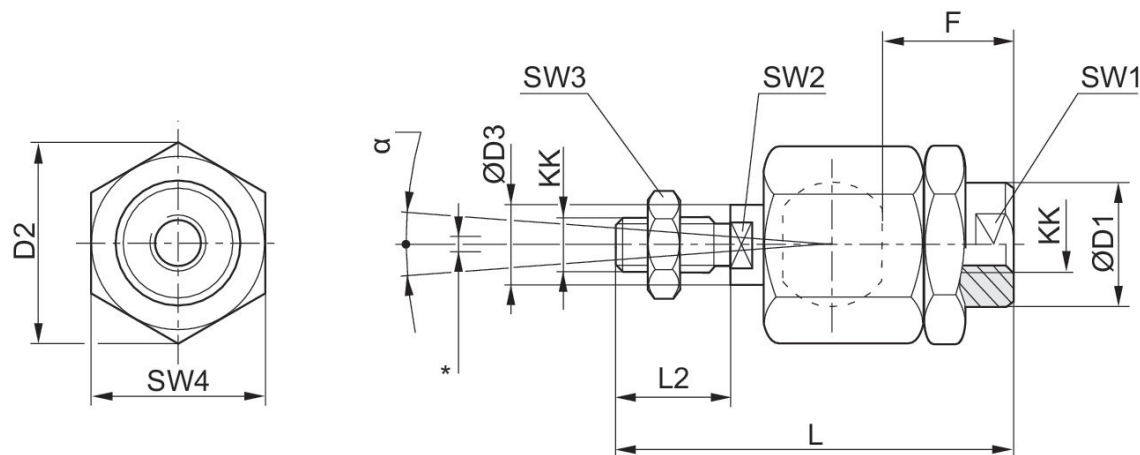
Part No.	Ø mm
1827020275	16-100

Compensating coupling PM5, series CM2



Thread size	Material	Part No.
M4	Steel, chrome-plated	1826409008
M6x1	Steel, chrome-plated	R412026140
M8x1,25	Steel, chrome-plated	R412026141
M10x1,25	Steel, chrome-plated	R412026142
M12x1,25	Steel, chrome-plated	R412026143
M20x1,5	Steel, chrome-plated	R412026145

Dimensions



* Radial joint

KK	Part No.	Ø D1	D2	Ø D3	F	L ±2	L2	SW1	SW2	SW3
M4	1826409008	12	13.5	4	13	33	8	12	3.2	7
M5	R412007860	8.5	14.8	6	12	38.5	13.5	7	5	8
M6x1	R412026140	8.5	14.5	6	11	36.5	11	7	5	10
M8x1.25	R412026141	12.5	19	8	21	58	21	11	7	13
M10x1.25	R412026142	22	32	14	23	74.5	23	19	12	17
M12x1.25	R412026143	22	32	14	24	75	24	19	12	19
M16x1.5	R412026144	32	45	22	30	103	30	30	20	24
M20x1.5	R412026145	32	45	22	40	119	40	30	20	30
M27x2	1826409006	62	62	28	48	147	54	32	24	41

KK	Part No.	Ø D1	D2	Ø D3	F	L ±2	L2	SW1	SW2	SW3
M36x2	1826409007	80	80	38	86	241	72	50	36	55
M42x2	R412007729	64	98	42	96	271	82	60	36	65

KK	SW4	α [°]	1)	2)
M4	12	8	0.05-0.2	0-0,5
M5	13	8	0.05-0.2	0-0,5
M6x1	13	6	0.05-0.5	0-1,5
M8x1.25	17	8	0.05-0.5	0-1,5
M10x1.25	30	8	0.05-0.5	0-2
M12x1.25	30	7	0.05-0.5	0-2
M16x1.5	41	6	0.05-0.5	0-2
M20x1.5	41	6	0.05-0.5	0-2
M27x2	55	8	0.05-0.2	0-2
M36x2	75	8	0.05-0.2	0-2
M42x2	85	8	0.05-0.2	0-2

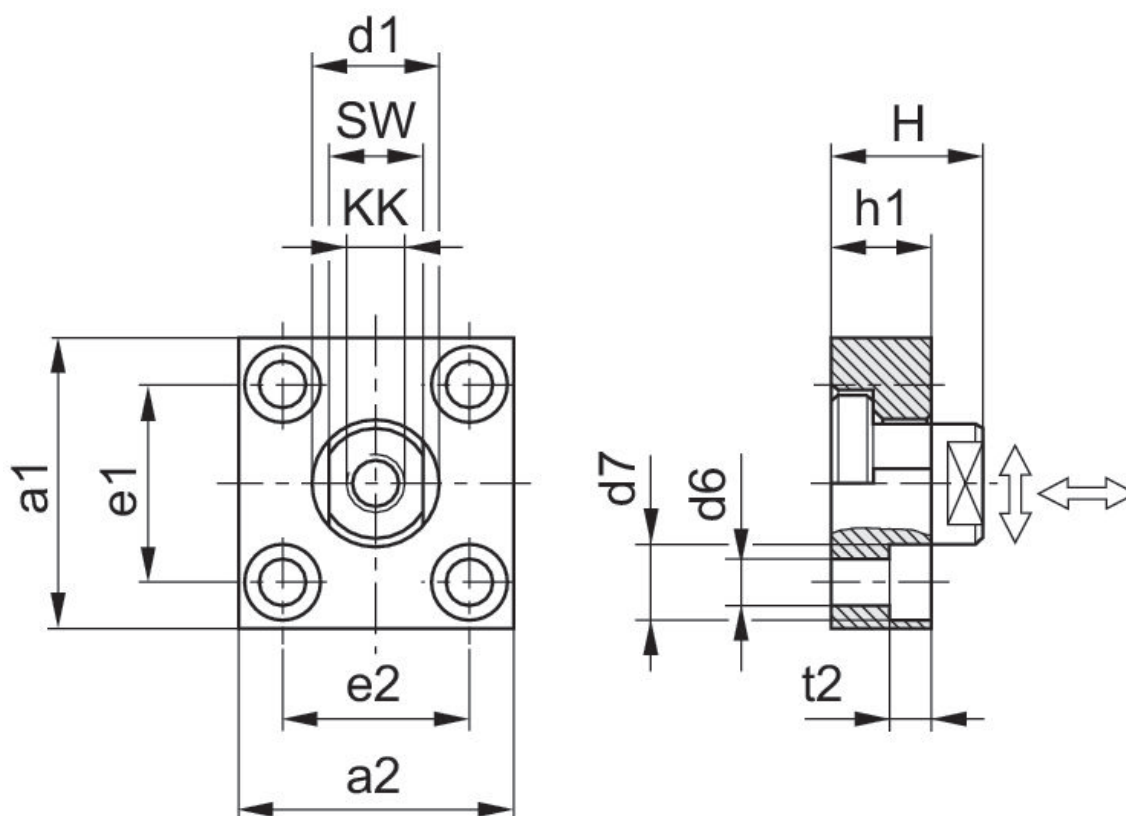
- 1) Axial play
2) Radial play

Compensating coupling PM7, series CM2



Thread size	Material	Part No.
M10x1,25	Steel, chrome-plated	1827001629
M12x1,25	Steel, chrome-plated	1827001630
M16x1,5	Steel, chrome-plated	1827001631
M20x1,5	Steel, chrome-plated	1827001632

Dimensions



KK	Part No.	a1	a2	d1 h11	d6 H13	d7 H13	e1 H13	e2	h1	t2
M10x1.25	1827001629	60	37	20	6.6	11	36 ±0,15	23 ±0,15	15	7
M12x1.25	1827001630	60	56	25	9	15	42 ±0,2	38 ±0,2	20	9
M16x1.5	1827001631	80	80	30	11	18	58 ±0,2	58 ±0,2	20	11

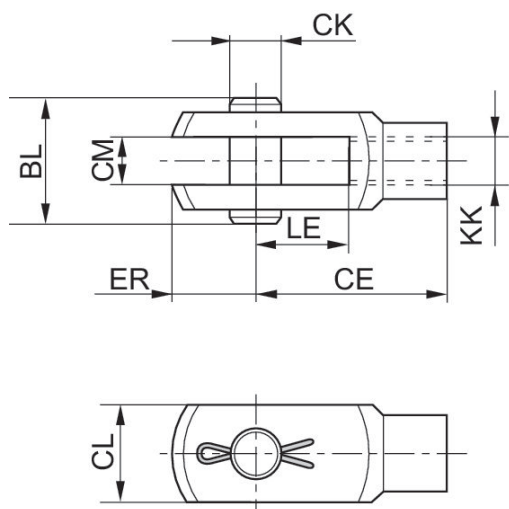
KK	Part No.	a1	a2	d1 h11	d6 H13	d7 H13	e1 H13	e2	h1	t2
M20x1.5	1827001632	90	90	40	14	20	65 ±0,3	65 ±0,3	20	13
M27x2	1827001633	90	90	40	14	20	65 ±0,3	65 ±0,3	20	13
M36x2	1827001634	125	125	60	18	26	90 ±0,3	90 ±0,3	30	17

KK	H	SW	Tightening torque for the coupling pin Ma ± 5%	Axial play min./max.	Radial play min./max.
M10x1.25	24	17	17 Nm	0,4 - 0,8 mm	1,9 - 2,3 mm
M12x1.25	30	19	29 Nm	0,4 - 0,8 mm	1,9 - 2,3 mm
M16x1.5	32	24	71 Nm	0,4 - 0,8 mm	1,9 - 2,3 mm
M20x1.5	35	36	138 Nm	0,4 - 0,8 mm	1,9 - 2,3 mm
M27x2	35	36	350 Nm	0,4 - 20,31 mm	1,9 - 2,3 mm
M36x2	55	50	1080 Nm	0,4 - 0,95 mm	2,8 - 3,4 mm

Rod clevis AP2, Series CM2

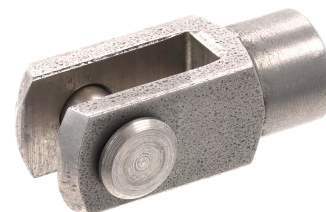


for series	Material	Part No.
SSI, ICS-D2	Stainless Steel	2990600505
SSI, ICS-D2	Stainless Steel	2990600508

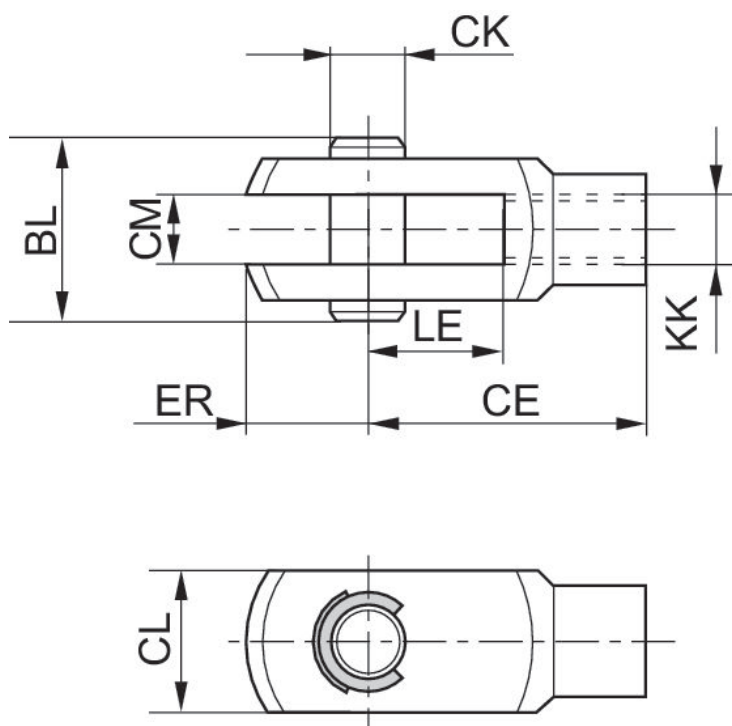


KK	Part No.	CE	CK e8	CL	CMB12	ER	BL	LE
M10x1,25	2990600503	40	10	20	10	12	26	20
M12x1,25	2990600504	48	12	24	12	14	31	24
M16x1,5	2990600505	64	16	32	16	19	39	32
M20x1,5	2990600508	80	20	40	20	20	49	40

Rod clevis AP2, Series CM2



for series	Material	Part No.
SSI, ICM	Stainless Steel	3330510000
CSL-RD, SSI, ICM	Stainless Steel	3330516000
CCL-IS, CCL-IC, CCI, CSL-RD, SSI, ICM, ICS-D2, 167	Stainless Steel	3590502000
CCL-IS, CCL-IC, CCI, SSI, 167, ICS-D2	Stainless Steel	3590504000
CCL-IS, ICS-D2, 167	Stainless Steel	3590505000



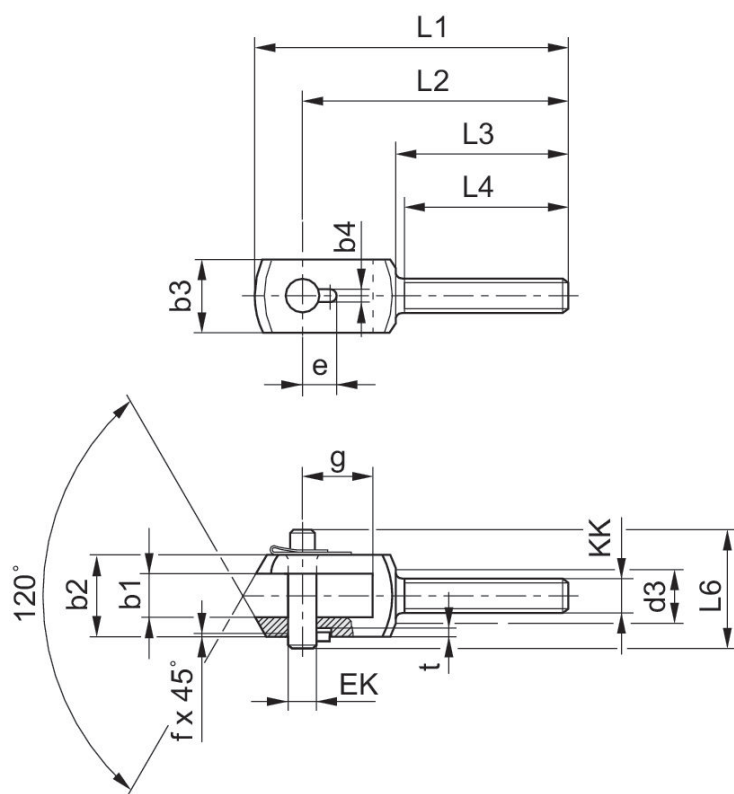
KK	Part No.	CE	CK e8	CL	CM B12	ER	BL	LE
M4	3330510000	16	4	10	5	6	15	8
M6	3330516000	24	6	12	6	7	17	12
M8	3330520000	32	8	16	8	10	22	16
M10x1,25	3590502000	40	10	20	10	12	26	20
M12x1,25	3590504000	48	12	24	12	14	31	24

KK	Part No.	CE	CK e8	CL	CM B12	ER	BL	LE
M16x1,5	3590505000	64	16	32	16	19	39	32
M20x1,5	3590508000	80	20	40	20	20	49	40

Rod clevis PM6, Series CM2



for series	Swivel bearing \varnothing [mm]	Material	Part No.
AP6	14	Steel, chrome-plated	1822122032
AP6	16	Steel, chrome-plated	1822122033
AP6	21	Steel, chrome-plated	1822122034
AP6	25	Steel, chrome-plated	1822122035



KK	Part No.	b1 B12	b2 d12	b3	b4 +0,2	d3	e +0,3	EK	f	g
14	1822122032	14	28	20	3.3	17	11.5	10	0.7	20
16	1822122033	16	30	25	4.3	19	12	12	1	26
21	1822122034	21	40	35	4.3	24	14	16	1	31
25	1822122035	25	50	40	4.3	30	16	20	1	43

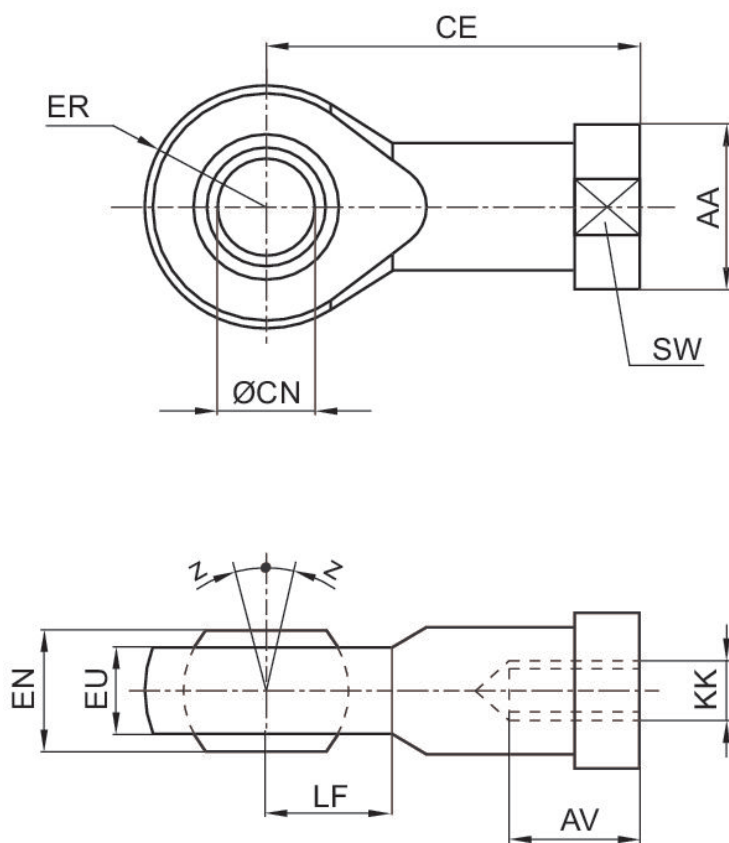
KK	Part No.	b1 B12	b2 d12	b3	b4 +0,2	d3	e +0,3	EK	f	g
30	1822122036	37	67	60	6.3	38	24	30	1.5	54

KK	L1	L2	L3	L4 +1	L6	t +0,2
14	90	78	53	50	35	3
16	108	92	58	55	39	3
21	129	108	65	62	50	3
25	156	131	73	69	60	3
30	200	168	98	92	77	5

Ball eye rod end AP6, series CM2



Thread size	Material	Part No.
M4	Steel, chrome-plated	1822124000
M6	Steel, chrome-plated	1822124001
M8	Steel, chrome-plated	1822124002
M10x1,25	Steel, chrome-plated	1822124003
M12x1,25	Steel, chrome-plated	1822124004
M16x1,5	Steel, chrome-plated	1822124005



KK	Part No.	AA	AV min.	CE	Ø CN H7	EN -0,1	ER	EU max.	LF	SW
M4	1822124000	12	8	27	5	8	9	7.5	9	9

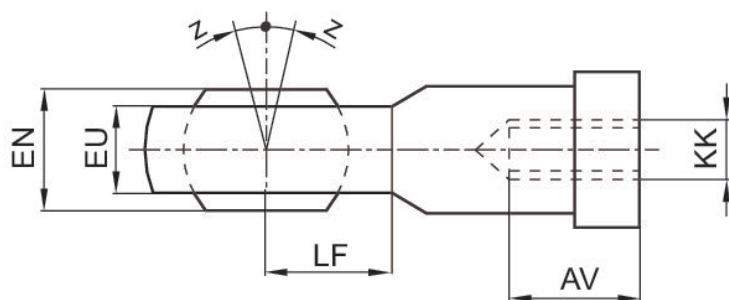
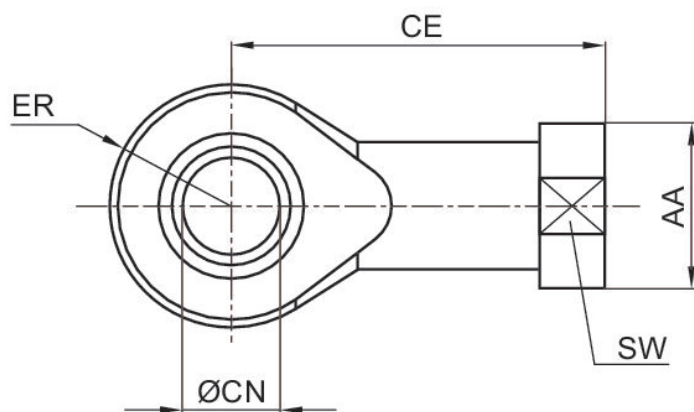
KK	Part No.	AA	AV min.	CE	Ø CN H7	EN -0,1	ER	EU max.	LF	SW
M6	1822124001	13	9	30	6	9	10	7.5	10	11
M8	1822124002	16	12	36	8	12	12	9.5	12	14
M10	8958206402	19	20	43	10	14	14	10.5	13	17
M12	8958208852	22	22	50	12	16	16	12	16	19
M10x1,25	1822124003	19	15	43	10	14	14	11.5	14	17
M12x1,25	1822124004	22	18	50	12	16	16	12.5	16	19
M16x1,5	1822124005	27	24	64	16	21	21	15.5	21	22
M20x1,5	1822124006	34	30	77	20	25	25	18.5	25	30
M24x2	8958208002	42	36	94	25	31	30	23	30	36
M27x2	1822124013	50	45	110	30	37	35	27	35	41
M36x2	1822124008	60	56	125	35	43	40	32	40	50
M42x2	1822124009	69	60	142	40	49	45.5	37	45	55
M48x2	8958208842	75	65	160	50	60	58	45	60	65

KK	Z [°] max.
M4	4
M6	4
M8	4
M10	6
M12	13
M10x1,25	4
M12x1,25	4
M16x1,5	4
M20x1,5	4
M24x2	15
M27x2	4
M36x2	4
M42x2	4
M48x2	6

Ball eye rod end AP6, series CM2



Thread size	Material	Part No.
M10x1,25	Stainless Steel	8958209032
M12x1,25	Stainless Steel	8958209042
M16x1,5	Stainless Steel	8958209052
M20x1,5	Stainless Steel	8958209062



KK	Part No.	AA	AV min.	CE	Ø CN H7	EN -0,1	ER	EU max.	LF	SW
M4	8958209002	11	8	27	5	8	9	6	9	9
M6	8958209012	13	9	30	6	9	10	6,75	10	11
M8	8958209022	16	12	36	8	12	12	9	12	14

KK	Part No.	AA	AV min.	CE	Ø CN H7	EN -0,1	ER	EU max.	LF	SW
M10x1,25	8958209032	19	15	43	10	14	14	10.5	14	17
M12x1,25	8958209042	22	18	50	12	16	16	12	16	19
M16x1,5	8958209052	27	24	64	16	21	21	15	21	22
M20x1,5	8958209062	34	30	77	20	25	25	18	25	30
M27x2	8958209072	50	45	110	30	37	35	25	35	41

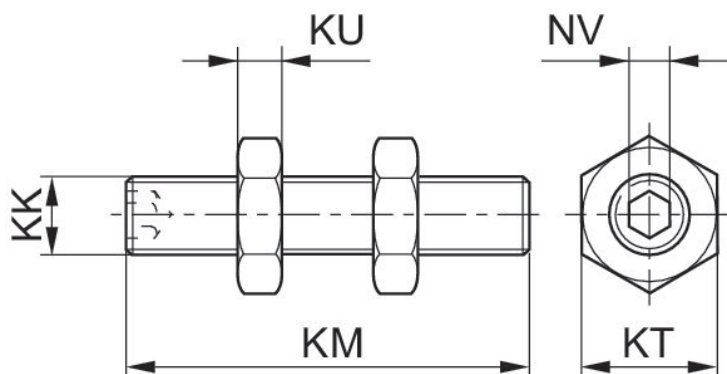
KK	Z [°] max.
M4	6,5
M6	6,5
M8	6,5
M10x1,25	6,5
M12x1,25	6,5
M16x1,5	7,5
M20x1,5	7,5
M27x2	7,5

Piston rod extension, series CM2

KHZ
SSI



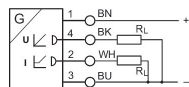
Thread size	Material	Part No.
M3	Stainless Steel	2701412000
M5	Stainless Steel	2701420000
M6	Stainless Steel	2701432000
M8	Stainless Steel	2701450000
M10	Stainless Steel	2701463000



KK	Part No.	KM	KT	KU	NV
M3	2701412000	20	5.5	1.8	1.5
M5	2701420000	25	8	2.7	2.5
M6	2701432000	30	10	3.2	3
M8	2701450000	35	13	4	4
M10	2701463000	40	16	5	5

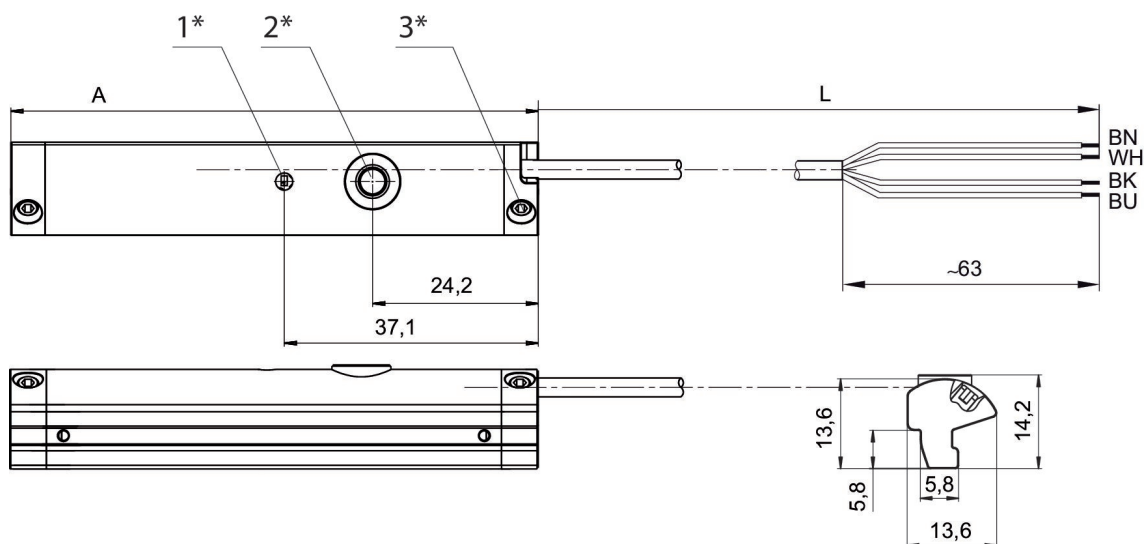
Sensors, Series SM6

PRA
 PRE
 CCI
 KPZ
 SSI
 GPC
 CVI
 cULus



Part No.
R412010141
R412010143
R412010262
R412010264

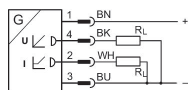
Dimensions



1* = LED 2* = teach button 3* = threaded pin M3x11
 L = cable length
 (2) WH=white
 A = sensor length

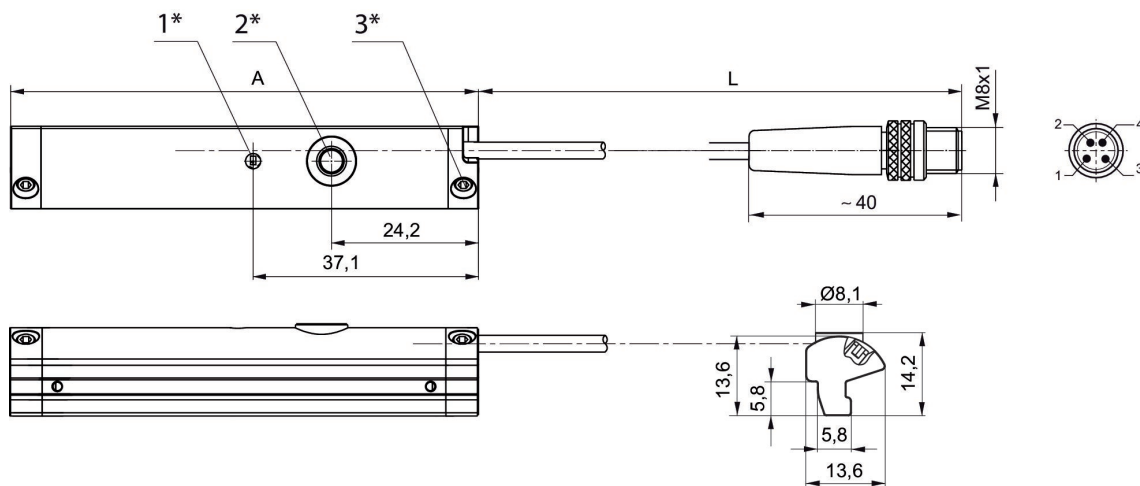
Sensors, Series SM6

PRA
PRE
CCI
KPZ
SSI
GPC
CVI
Plug
M8x1
cULus



Part No.
R412010142
R412010144
R412010263
R412010265

Dimensions



1* = LED 2* = teach button 3* = threaded pin M3x11
L = cable length
Pin assignment: 1 = (+), 2 = (OUT 1) 3 = (GND), 4 = (OUT 2), EN 60947-5-7
A = sensor length

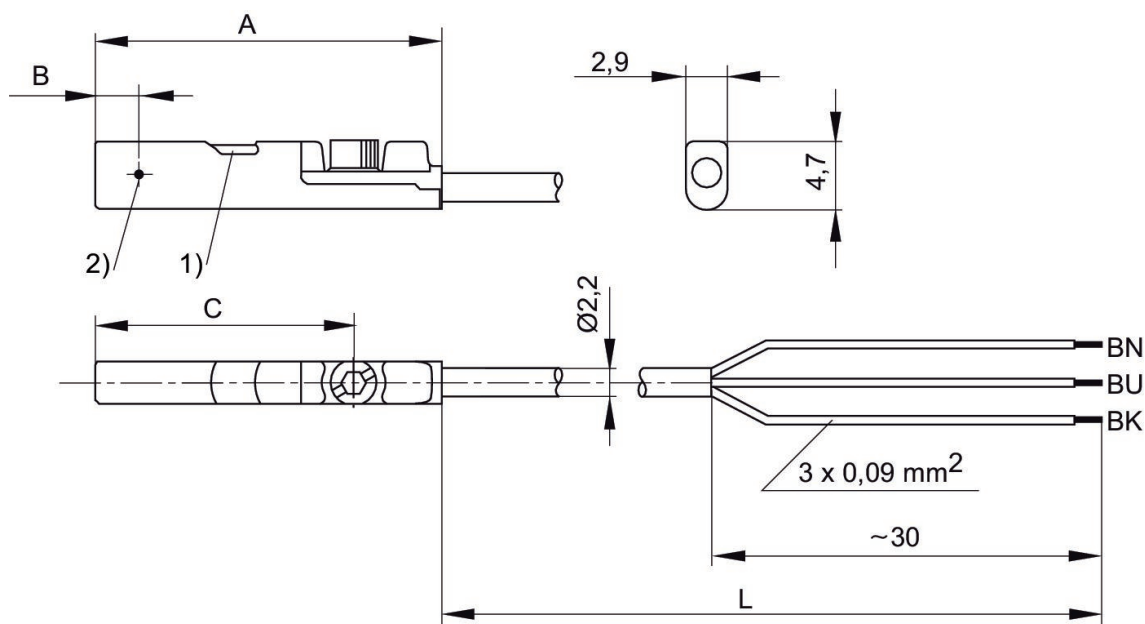
Sensor, Series ST4

PRA
SSI
GSU
RTC
CKP
GPC
MSC
MSN
RCM
CVI
open cable ends
UL (Underwriters Laboratories)
cULus
RoHS



Part No.
R412019488
R412019489
R412019680
R412019681
R412019684
R412019685

Dimensions



1) LED 2) Switching point
L = cable length BN = brown, BK = black, BU = blue

Part No.	A	B	C
R412019488	26.3	6.3	20.3
R412019489	26.3	6.3	20.3
R412019680	23.7	2.8	17.7
R412019681	23.7	2.8	17.7

Part No.	A	B	C
R412019684	23.7	2.8	17.7
R412019685	23.7	2.8	17.7

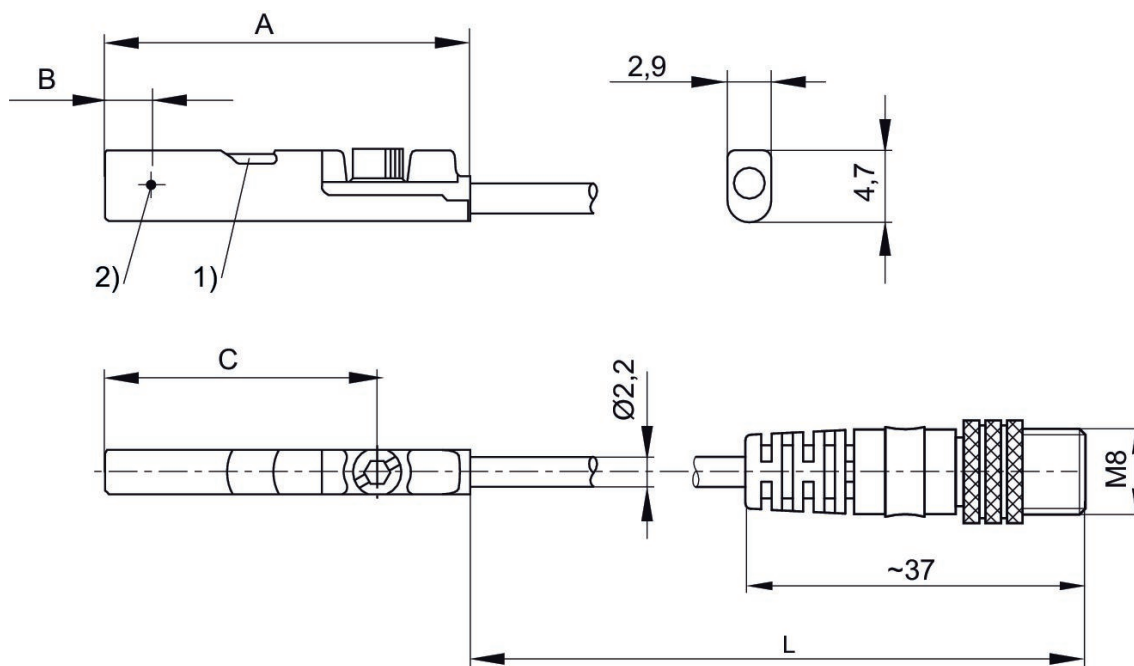
Sensor, Series ST4

PRA
SSI
GSU
RTC
CKP
GPC
MSC
MSN
RCM
CVI
Plug
M8
UL (Underwriters Laboratories)
cULus
RoHS



Part No.
R412019490
R412019686
R412019493
R412019687

Dimensions



1) LED 2) Switching point
L = cable length

Part No.	A	B	C
R412019490	26.3	6.3	20.3
R412019686	26.3	6.3	20.3
R412019493	23.7	2.8	17.7
R412019687	23.7	2.8	17.7

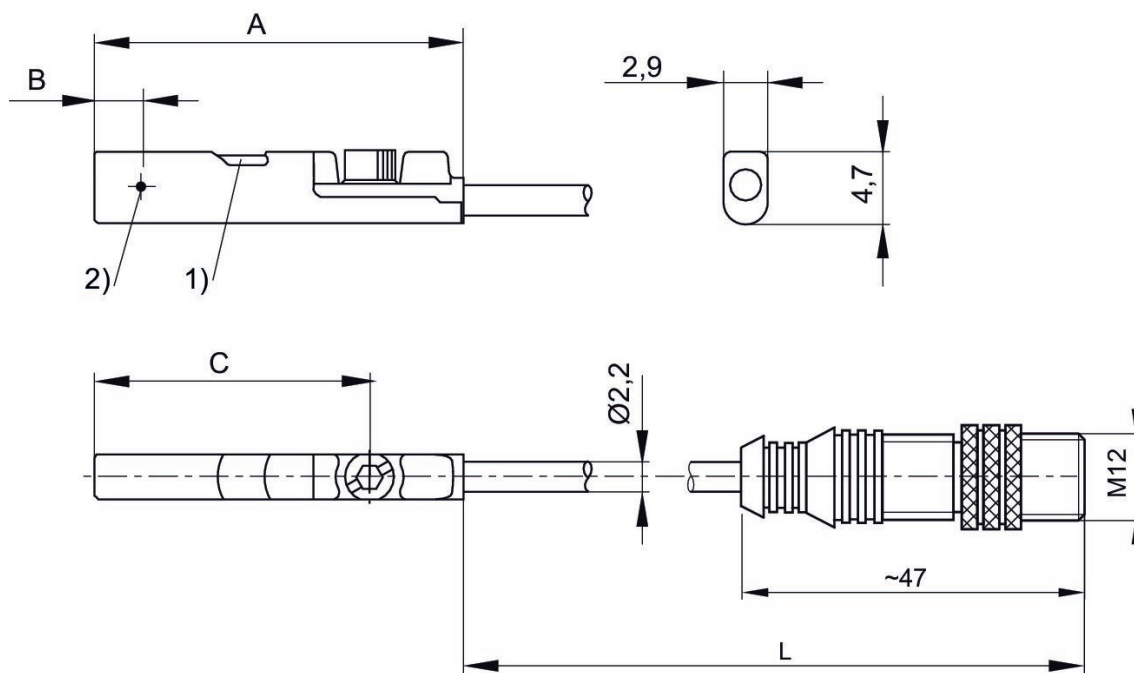
Sensor, Series ST4

PRA
 SSI
 GSU
 RTC
 CKP
 GPC
 MSC
 MSN
 RCM
 CVI
 Plug
 M12
 UL (Underwriters Laboratories)
 cULus
 RoHS



Part No.
R412019688
R412019689

Dimensions



1) LED 2) Switching point
 L = cable length

Part No.	A	B	C
R412019688	26.3	6.3	20.3
R412019689	23.7	2.8	17.7

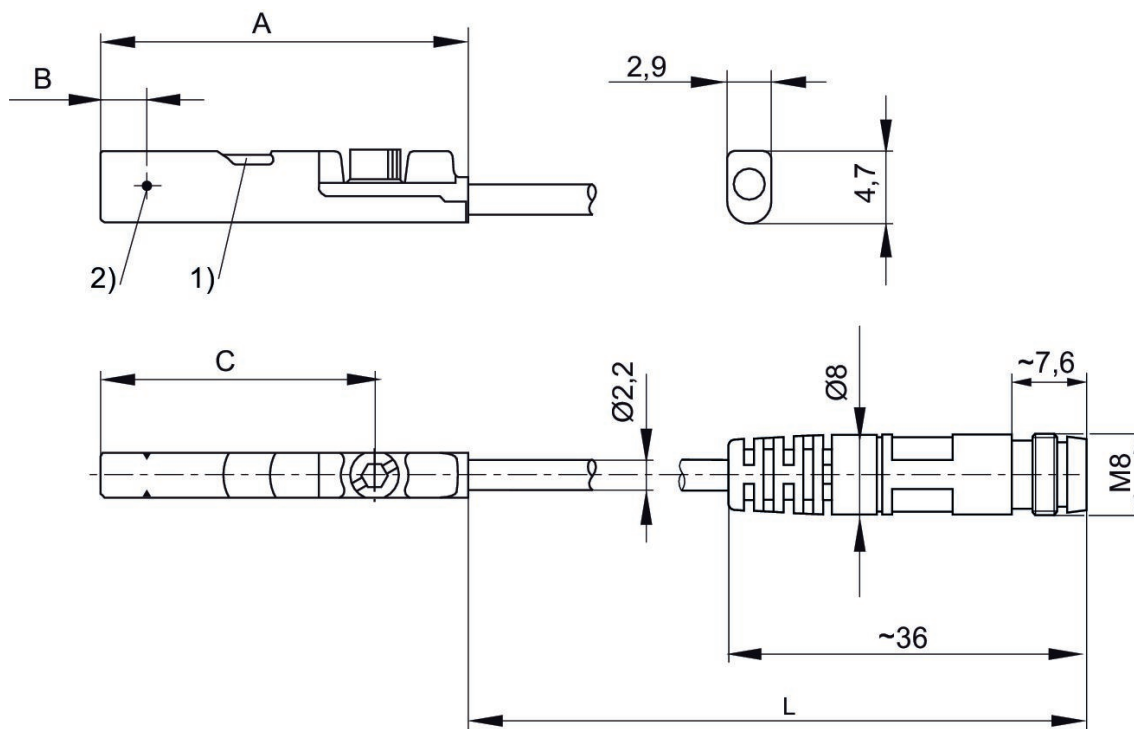
Sensor, Series ST4

PRA
 SSI
 GSU
 RTC
 CKP
 GSP
 MSC
 MSN
 RCM
 CVI
 Plug
 M8
 UL (Underwriters Laboratories)
 cULus
 RoHS



Part No.
R412019682
R412019683
R412019694

Dimensions

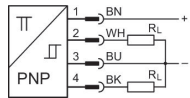


1) LED 2) Switching point
 L = cable length

Part No.	A	B	C
R412019682	26.3	6.3	20.3
R412019683	23.7	2.8	17.7
R412019694	23.7	2.8	17.7

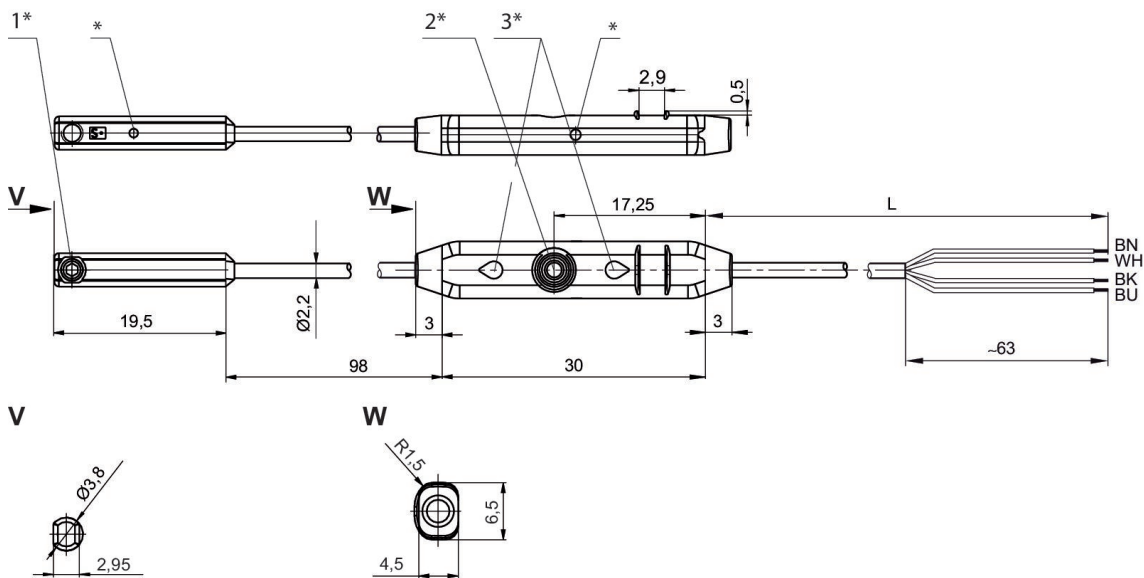
Sensors, Series ST4-2P

PRA
SSI
RTC
GPC
MSC
MSN
RCM
CVI
without wire end ferrule, tin-plated
RoHS



Part No.
R412010139

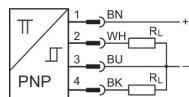
Dimensions



1* = mounting screw 2* = teach button 3* = LED
L = cable length
(2) WH=white
* Switching point

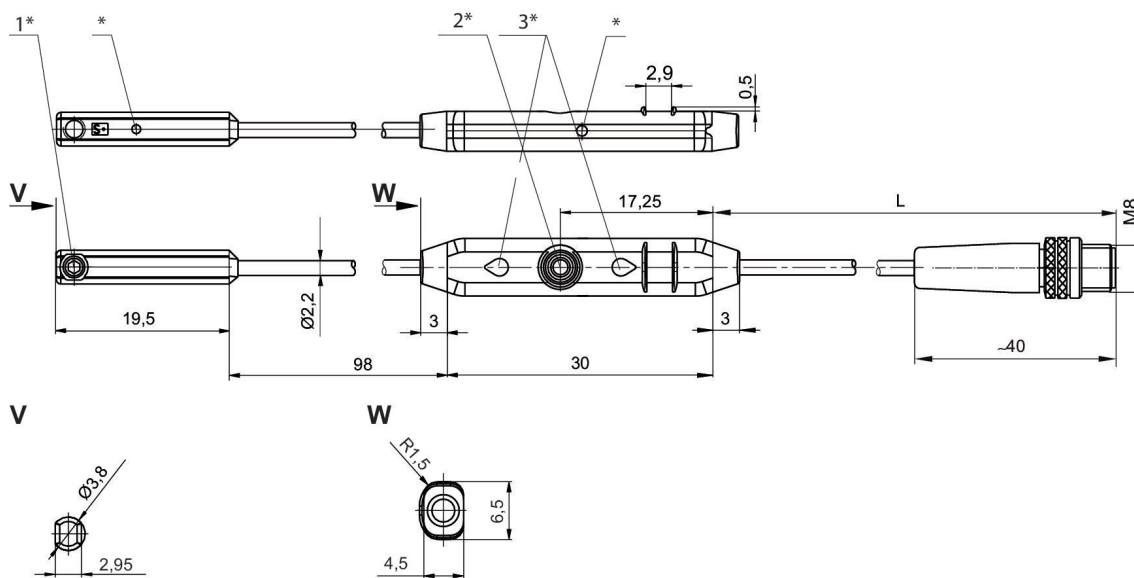
Sensors, Series ST4-2P

PRA
 SSI
 RTC
 GPC
 MSC
 MSN
 RCM
 CVI
 Plug
 M8x1
 RoHS



Part No.
R412010140

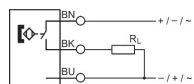
Dimensions



1* = mounting screw 2* = teach button 3* = LED
 L = cable length
 * Switching point

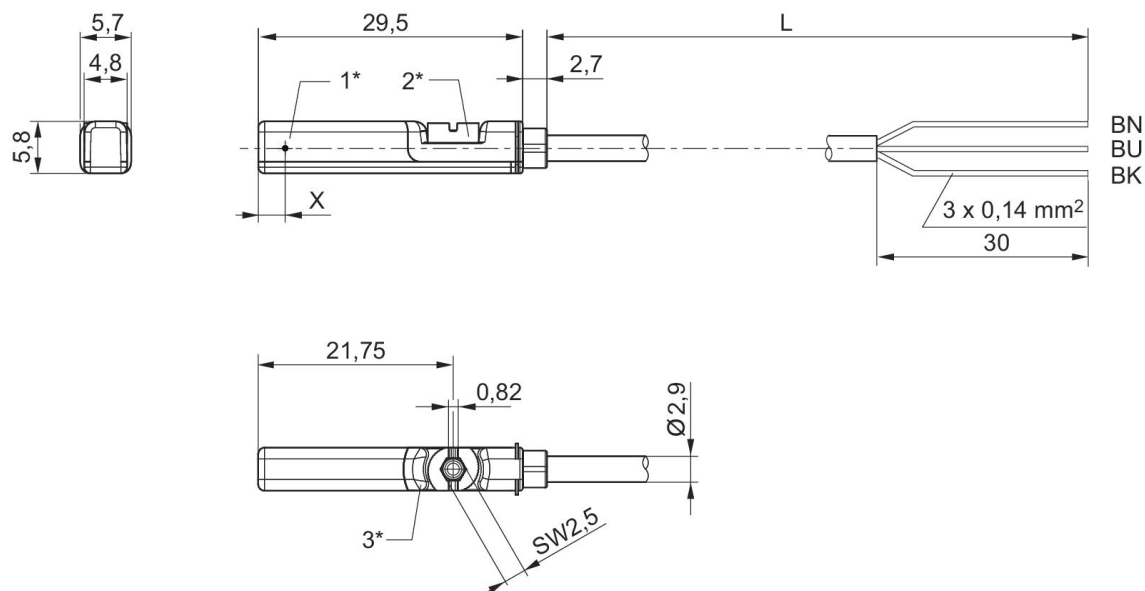
Sensor, Series ST6

PRA
 PRE
 CCI
 KPZ
 SSI
 GPC
 CVI
 without wire end ferrule, tin-plated
 CE declaration of conformity
 cULus
 RoHS
 UL (Underwriters Laboratories)



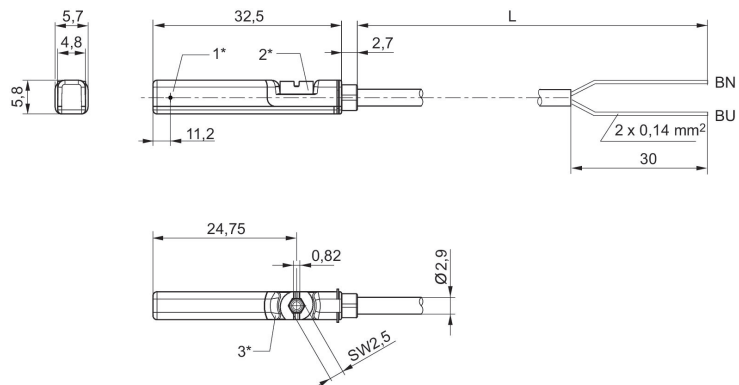
Part No.
R412022866
R412027170
R412022869
R412022870
R412022871
R412022853
R412022855
R412022857
R412022849
R412022850

Dimensions



1* = switching point 2* = locking screw 3* = LED window, transparent
 L = cable length BN = brown, BK = black, BU = blue
 X = electronic: 11.6 mm

R412022866, R412027170



1* = switching point 2* = locking screw 3* = LED window, transparent
L = cable length BN=brown, BU=blue

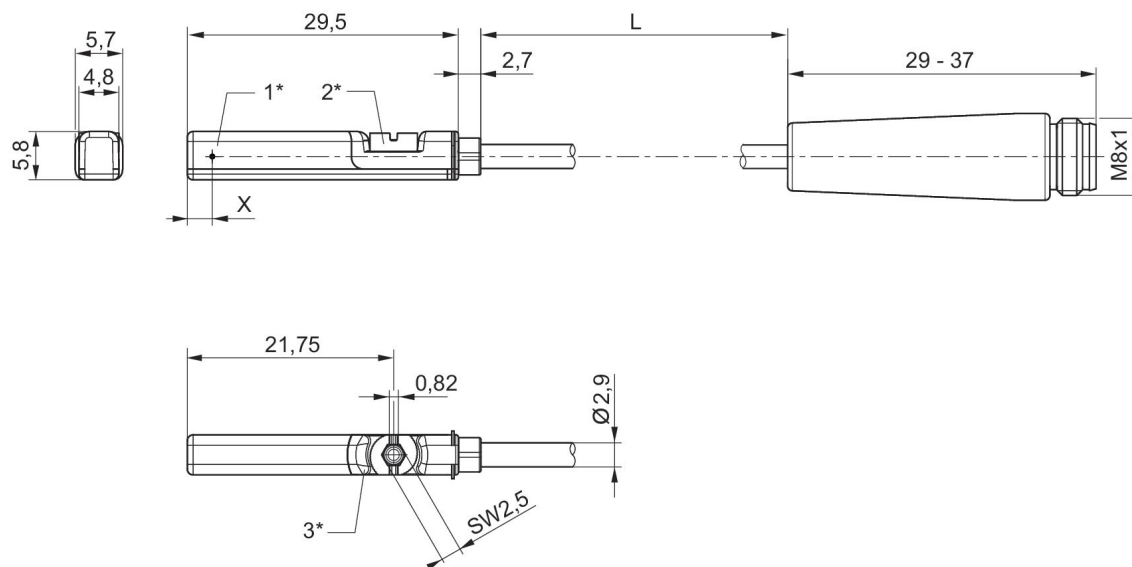
Sensor, Series ST6

PRA
PRE
CCI
KPZ
SSI
GPC
CVI
Plug
M8
CE declaration of conformity
cULus
RoHS
UL (Underwriters Laboratories)



Part No.
R412022868
R412027172
R412022872
R412022858
R412022851

Dimensions



1* = switching point 2* = locking screw 3* = LED window, transparent
L = cable length
X = electronic: 11,6 mm, Reed: 8,3 mm

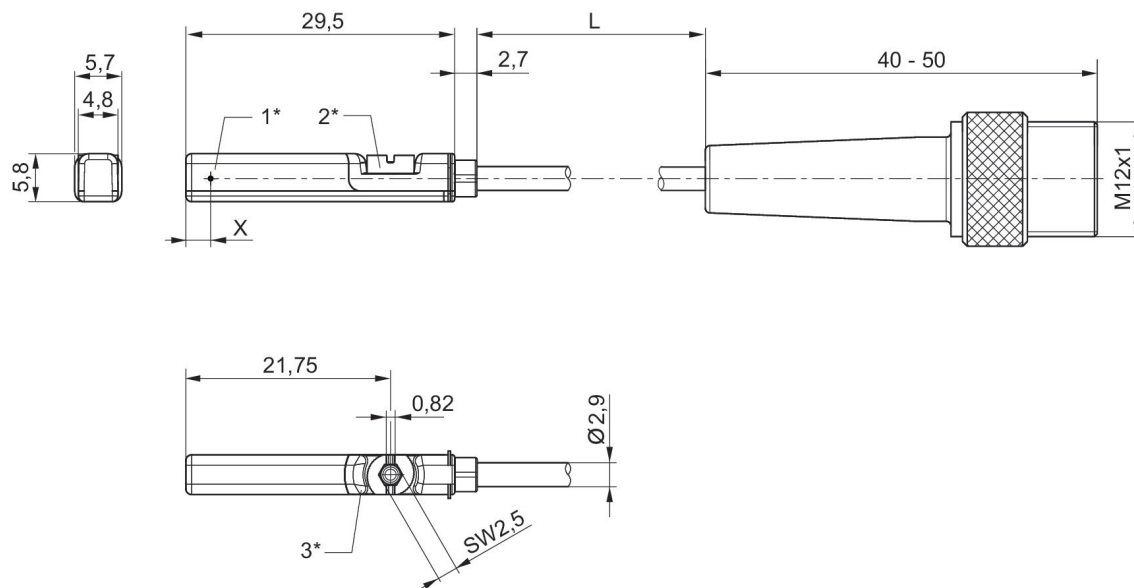
Sensor, Series ST6

PRA
 PRE
 CCI
 KPZ
 SSI
 GPC
 CVI
 Plug
 M12
 CE declaration of conformity
 cULus
 RoHS
 UL (Underwriters Laboratories)



Part No.
R412027171
R412022876
R412022879
R412022863
R412022877
R412022878

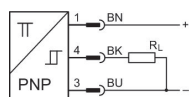
Dimensions



1* = switching point 2* = locking screw 3* = LED window, transparent
 L = cable length
 X = PNP: 11,6 mm, reed: 8,3 mm

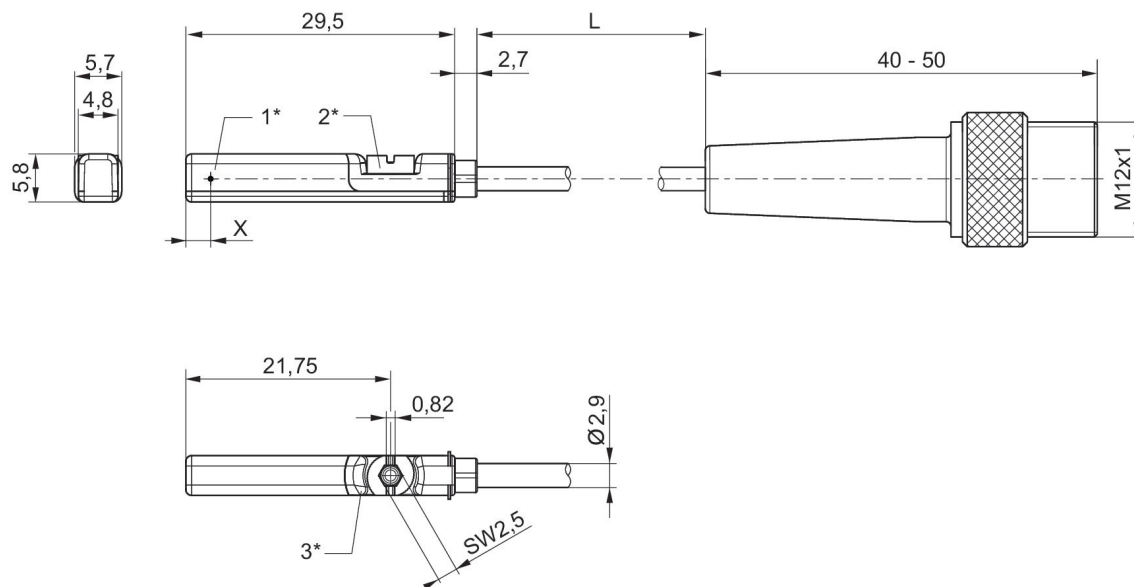
Sensor, Series ST6

PRA
 PRE
 CCI
 KPZ
 SSI
 GPC
 CVI
 Plug
 M12
 ATEX
 CE declaration of conformity
 cULus
 RoHS
 UL (Underwriters Laboratories)



Part No.
R412022864

Dimensions



1* = switching point 2* = locking screw 3* = LED window, transparent
 L = cable length
 X = PNP: 11,6 mm, reed: 8,3 mm

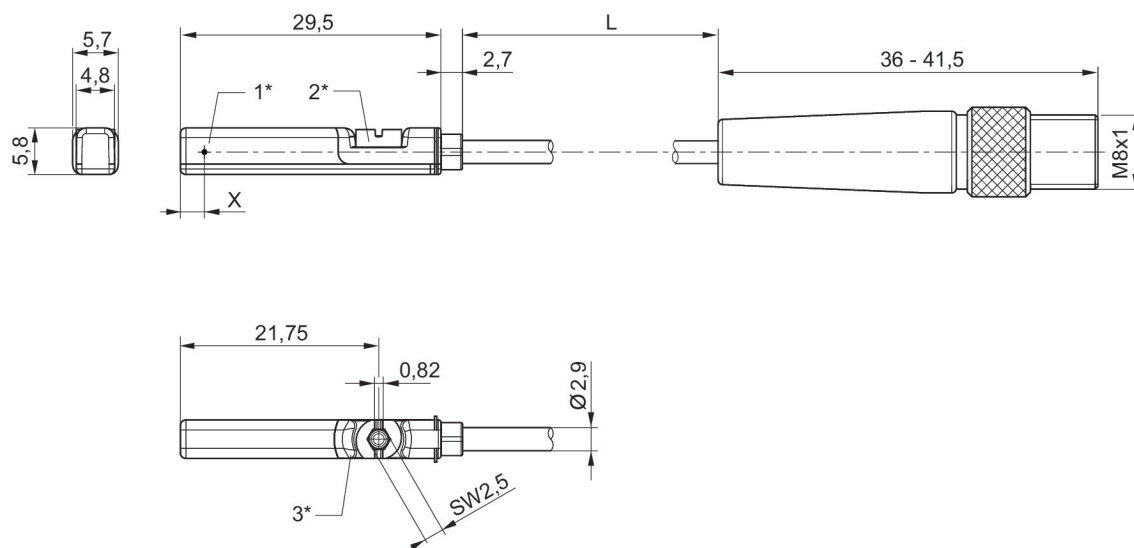
Sensor, Series ST6

PRA
 PRE
 CCI
 KPZ
 SSI
 GPC
 CVI
 Plug
 CE declaration of conformity
 cULus
 RoHS
 UL (Underwriters Laboratories)



Part No.
R412022873
R412022875
R412022874
R412022859
R412022862
R412022861
R412022852

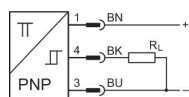
Dimensions



1* = switching point 2* = locking screw 3* = LED window, transparent
 L = cable length
 X = electronic: 11,6 mm, Reed: 8,3 mm

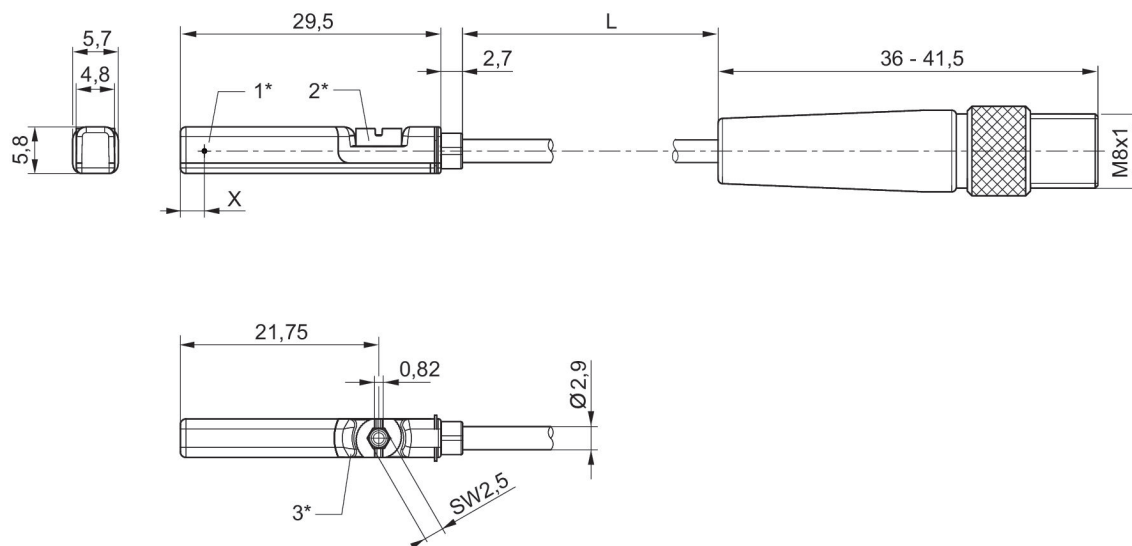
Sensor, Series ST6

PRA
 PRE
 CCI
 KPZ
 SSI
 GPC
 CVI
 Plug
 M8
 ATEX
 CE declaration of conformity
 cULus
 RoHS
 UL (Underwriters Laboratories)



Part No.
R412022860

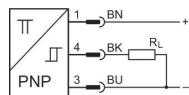
Dimensions



1* = switching point 2* = locking screw 3* = LED window, transparent
 L = cable length
 X = electronic: 11,6 mm, Reed: 8,3 mm

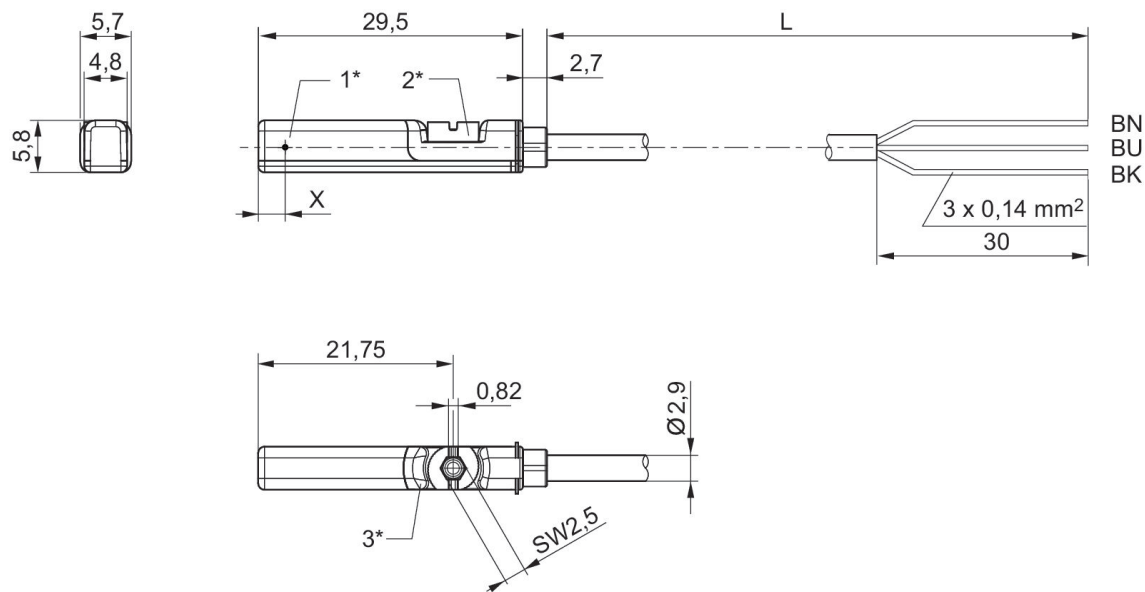
Sensor, Series ST6

PRA
 PRE
 CCI
 KPZ
 SSI
 GPC
 CVI
 open cable ends
 ATEX
 CE declaration of conformity
 cULus
 RoHS
 UL (Underwriters Laboratories)



Part No.
R412022854
R412022856

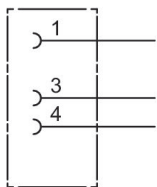
Dimensions



1* = switching point 2* = locking screw 3* = LED window, transparent
 L = cable length BN = brown, BK = black, BU = blue
 X = electronic: 11.6 mm

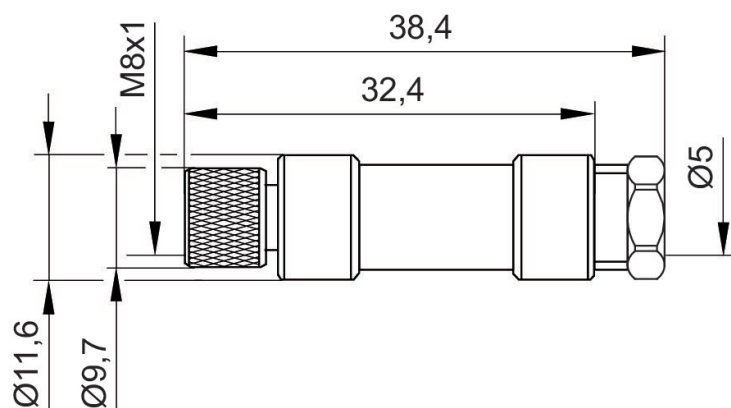
Round plug connector, Series CON-RD

Socket
 M8x1
 3-pin



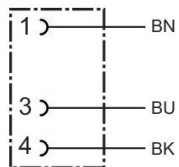
Operational voltage	Max. current [A]	Contact assignment	min. suitable cable Ø [mm]	max. suitable cable Ø [mm]	Part No.
48 V AC/DC	4	3-pin	3.5	5	1834484173

Dimensions



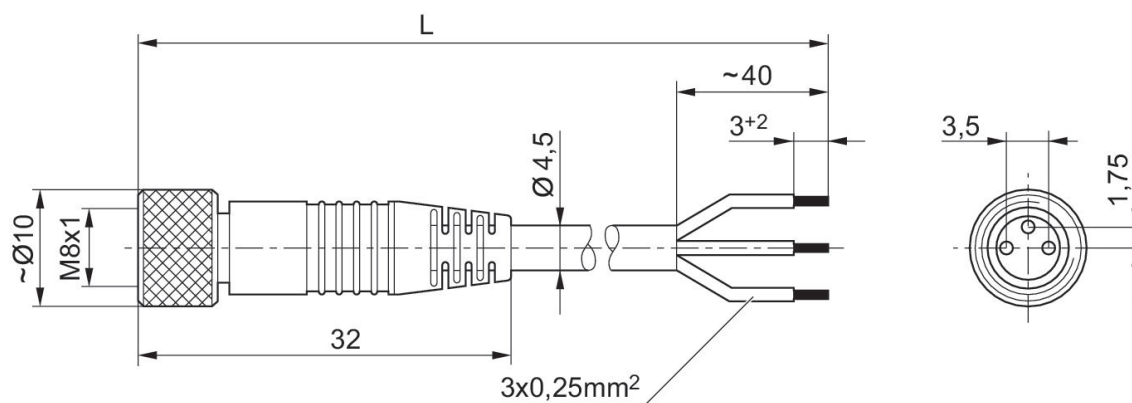
Round plug connector, Series CON-RD

Socket
M8x1
3-pin



Part No.
1834484166
1834484168
1834484247

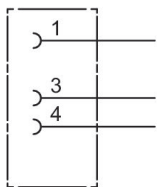
Dimensions



L = length

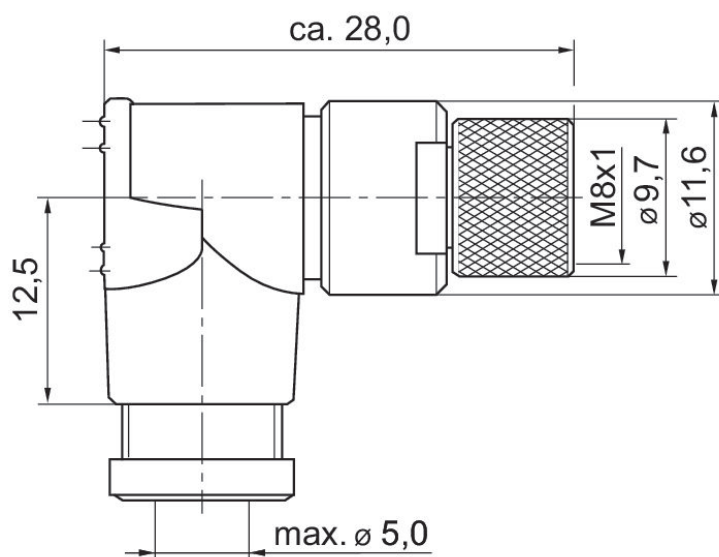
Round plug connector, Series CON-RD

Socket
M8x1
3-pin



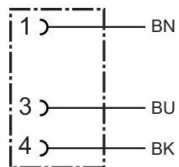
Operational voltage	Max. current [A]	Contact assignment	min. suitable cable Ø [mm]	max. suitable cable Ø [mm]	Part No.
48 V AC/DC	4	3-pin	3.5	5	1834484174

Dimensions in mm



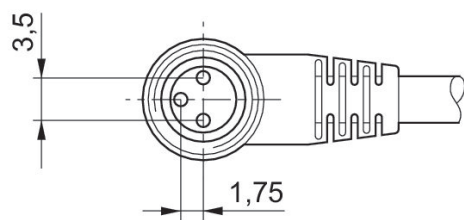
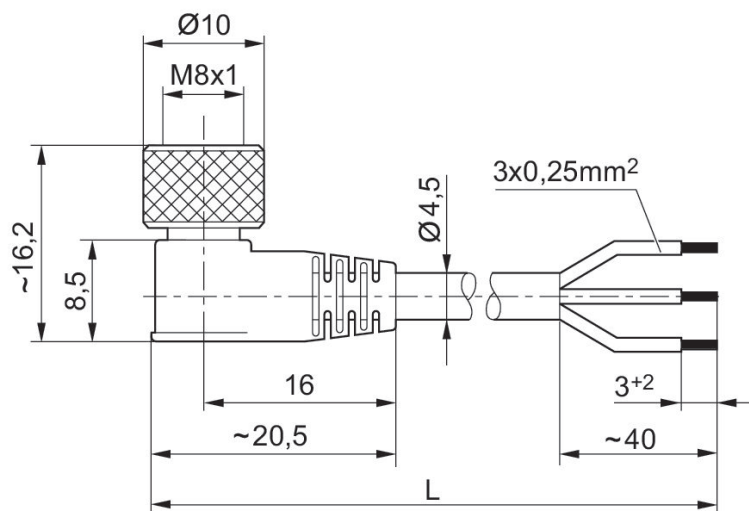
Round plug connector, Series CON-RD

Socket
M8x1
3-pin



Part No.
1834484167
1834484169
1834484248

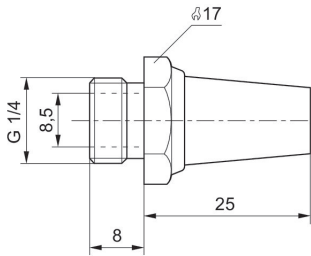
Dimensions



L = length

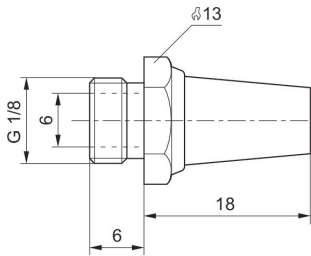
Compressed air connection	Part No.
G 1/4	1827000001

1827000001



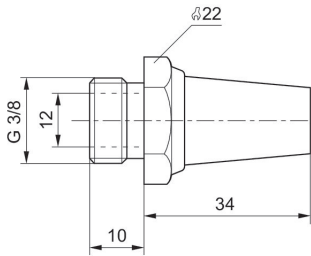
Compressed air connection	Part No.
G 1/8	1827000000

1827000000



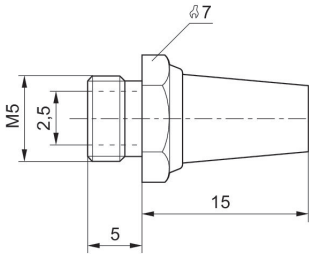
Compressed air connection	Part No.
G 3/8	1827000002

1827000002



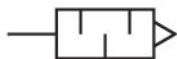
Compressed air connection	Part No.
M5	1827000006

1827000006



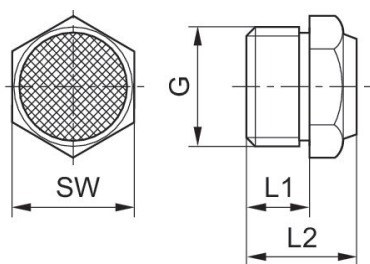
Silencers, series SI1

External thread
Sintered bronze



Compressed air connection	Sound pressure level [dB]	Nominal flow [l/min]	Delivery unit [piece]	Weight [kg]	Part No.
M5	79	252	10	0.005	1827000032
G 1/8	85	700	10	0.001	1827000031
G 1/4	88	1116	10	0.01	1827000033
G 3/8	90	1706	5	0.016	1827000034

Dimensions



Part No.	Port G	L1	L2	SW
1827000032	M5	5	10.3	7
1827000031	G 1/8	6	11.5	13
1827000033	G 1/4	8	13.5	17
1827000034	G 3/8	10	17.5	22
1827000035	G 1/2	12	19.5	27
8145003400	G 3/4	14	22.5	32
8145001000	G 1	16	22.5	41

Sound pressure level measured at 6 bar at 1 m distance

Efficient pneumatic solutions, our program: cylinders and drives, valves and valve systems, air supply management



Visit us: [Emerson.com/Aventics](https://www.emerson.com/aventics)

Your local contact: [Emerson.com/contactus](https://www.emerson.com/contactus)



[Emerson.com](https://www.emerson.com)



[Facebook.com/EmersonAutomationSolutions](https://www.facebook.com/EmersonAutomationSolutions)



[LinkedIn.com/company/Emerson-Automation-Solutions](https://www.linkedin.com/company/Emerson-Automation-Solutions)



[Twitter.com/EMR_Automation](https://twitter.com/EMR_Automation)

An example configuration is depicted on the title page. The delivered product may thus vary from that in the illustration. Subject to change. This Document, as well as the data, specifications and other information set forth in it, are the exclusive property of AVENTICS GmbH. It may not be reproduced or given to third parties without its consent. Only use the AVENTICS products shown in industrial applications. Read the product documentation completely and carefully before using the product. Observe the applicable regulations and laws of the respective country. When integrating the product into applications, note the system manufacturer's specifications for safe use of the product. The data specified only serve to describe the product. No statements concerning a certain condition or suitability for a certain application can be derived from our information. The information given does not release the user from the obligation of own judgment and verification. It must be remembered that the products are subject to a natural process of wear and aging.

The Emerson logo is a trademark and service mark of Emerson Electric Co. Brand logotype are registered trademarks of one of the Emerson family of companies. All other marks are the property of their respective owners. © 2019 Emerson Electric Co. All rights reserved.



CONSIDER IT SOLVED™