

CCI-SC



AVENTICS™

AVENTICS Serie CCI-SC Stopper
Compact Cylinders


EMERSON™

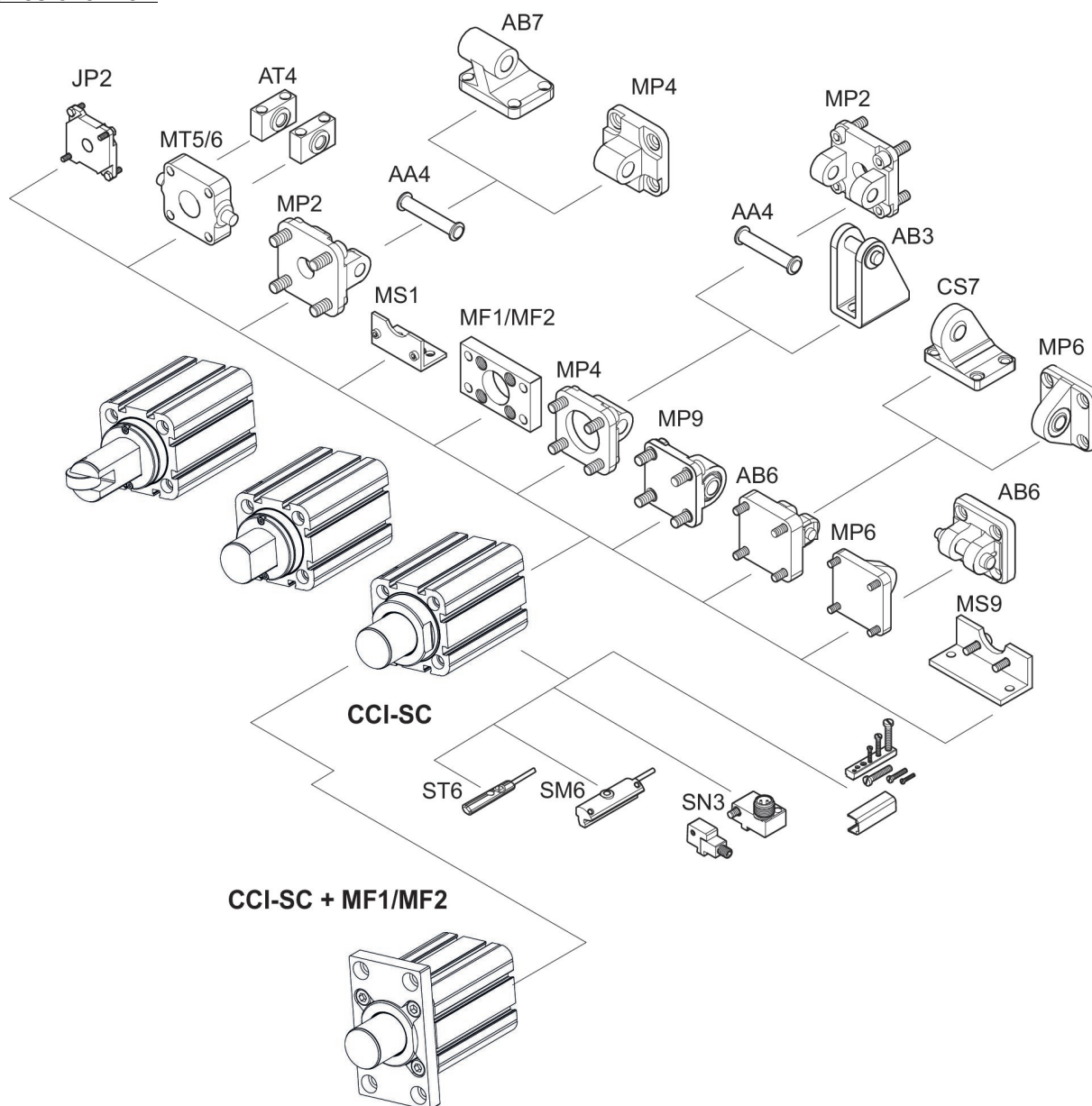
AVENTICS Serie CCI-SC Stopper Compact Cylinders

Pneumatic cylinders with reinforced piston rod, featuring high resistance to shocks and radial loads. Typically used in conveyor belts and other special machinery, to allow stopping loads smoothly and safely, up to 90Kg weight. Mounting holes dimensions are compatible with ISO 21287.

- **Robust Construction:** High resistance to shocks and radial loads to safely stop package loads at conveyor belts and other special machinery, up to 90 kg
- **Safety in Applications:** Single Acting and Double Acting cylinders with Spring allow safe stopping of masses in an emergency or pressure failure
- **Easy to Mount:** Standard mountings hole dimensions compatible with ISO 21287
- **Noise Reduction:** Elastic cushioning at stroke ends, and air exhaust silencers delivered mounted on Single Acting cylinders
- **Choice of Rod Design Options:** Trunnion, Trunnion with anti rotation, and Roller, to better meet the needs of the application
- **Flexibility for Installation:** Two standard M3x8 screws allow easy 90° orientation to align the trunnion rod and roller with the conveyed loads



Accessories overview



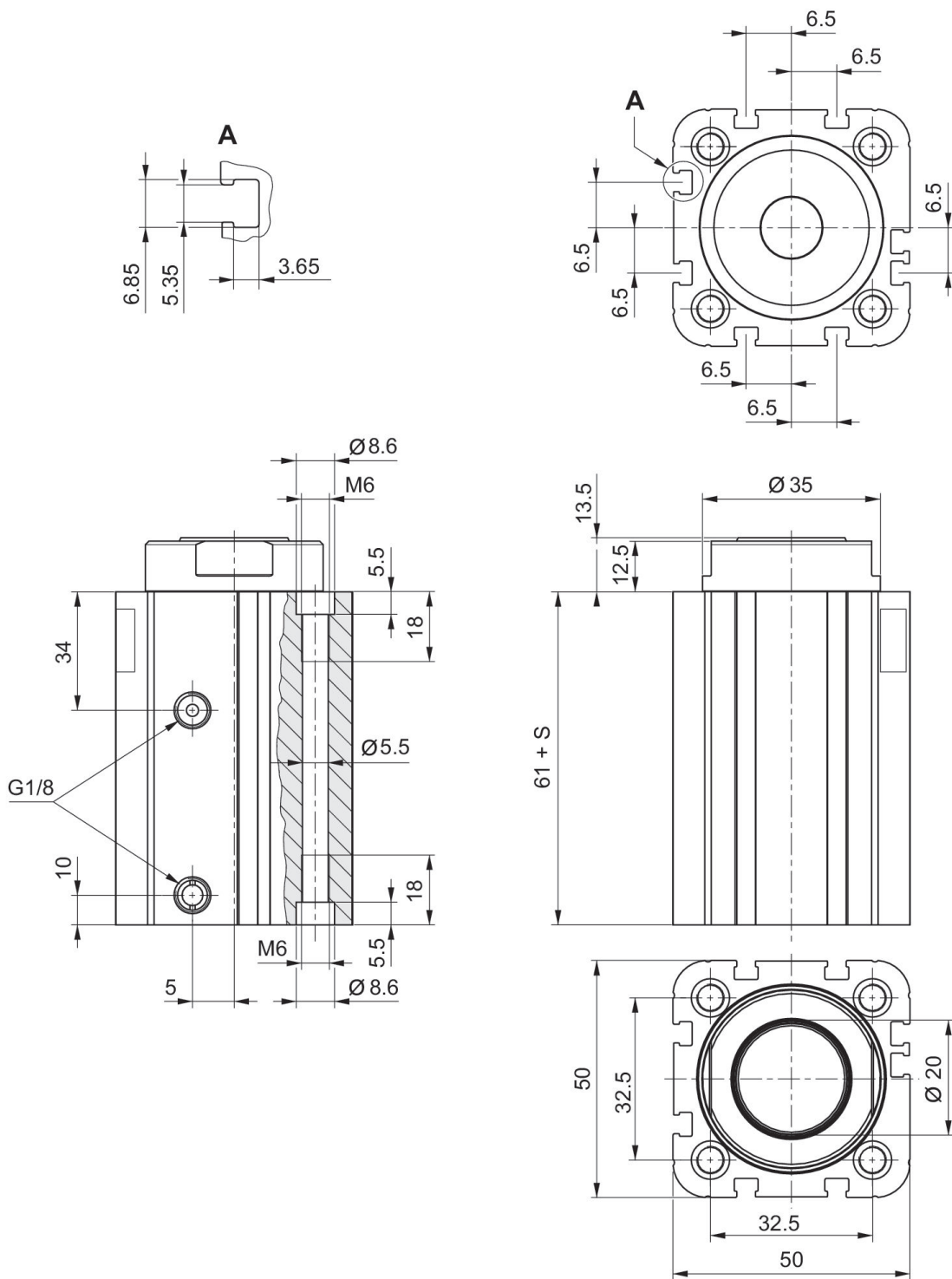
Compact cylinder, Series CCI-SC

Based on ISO 21287
Single-acting, extended without
pressure
Axle pivot version



Piston Ø [mm]	Stroke [mm]	Ports	Cushioning	Magnet-ic piston	Retract-ing piston force [N]	Extract-ing piston force [N]	Max. per-missible radial bearing load [N]	Max. per-missible radial bearing load F during switching operation [N]	Part No.
32	15	G 1/8	Elastic cushioning	Piston with magnet	309	507	3270	570	R452000627
32	20	G 1/8	Elastic cushioning	Piston with magnet	309	507	3270	570	R452000630
32	25	G 1/8	Elastic cushioning	Piston with magnet	309	507	3270	570	R452000633

Dimensions in mm



S = stroke

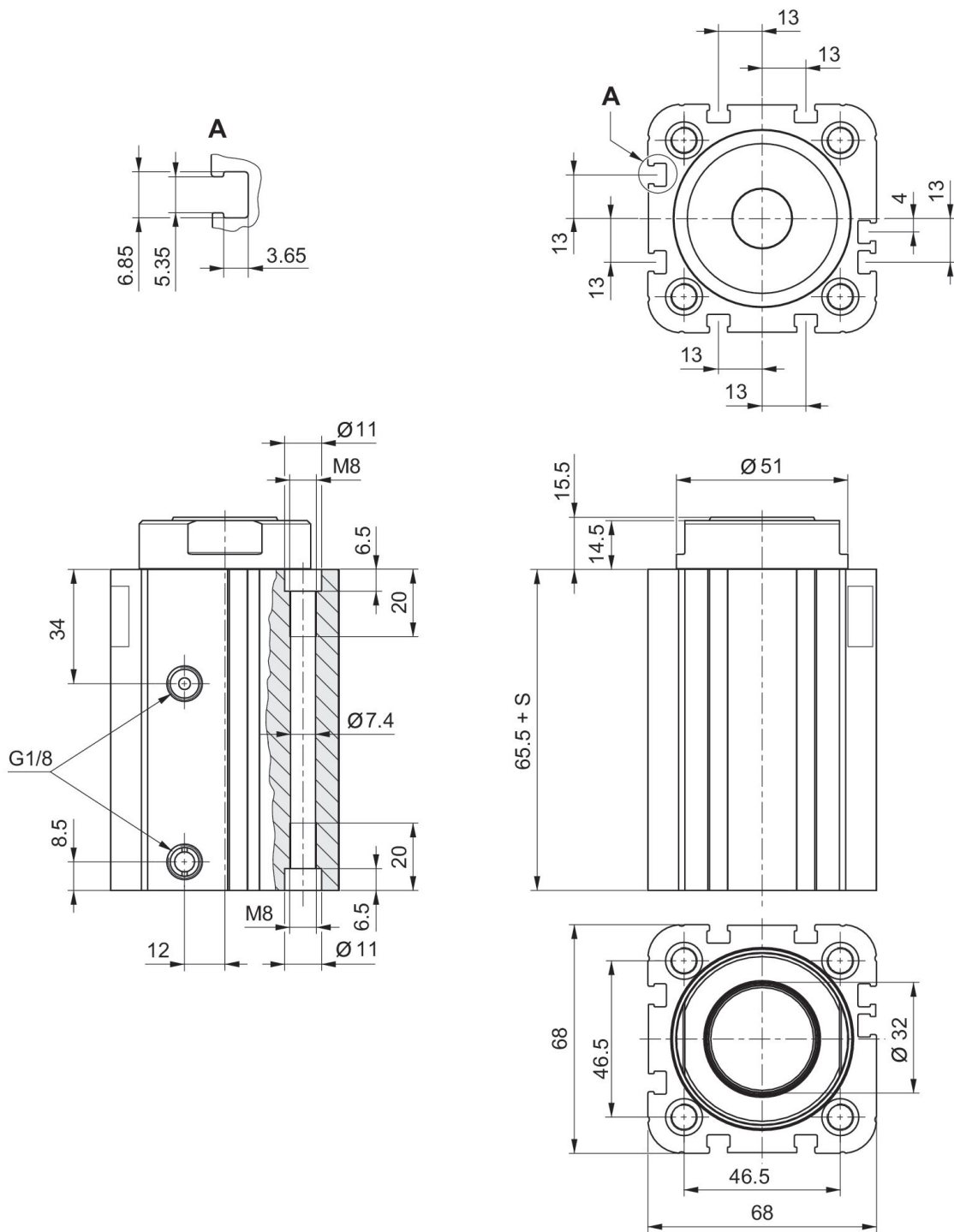
Compact cylinder, Series CCI-SC

Based on ISO 21287
Single-acting, extended without
pressure
Axle pivot version



Piston Ø [mm]	Stroke [mm]	Ports	Cushioning	Magnet-ic piston	Retract-ing piston force [N]	Extract-ing piston force [N]	Max. per-missible radial bearing load [N]	Max. per-missible radial bearing load F during switching operation [N]	Part No.
50	20	G 1/8	Elastic cushioning	Piston with magnet	730	1237	6280	1500	R452000636
50	25	G 1/8	Elastic cushioning	Piston with magnet	730	1237	6280	1500	R452000639
50	30	G 1/8	Elastic cushioning	Piston with magnet	730	1237	6280	1500	R452000642

Dimensions in mm



S = stroke

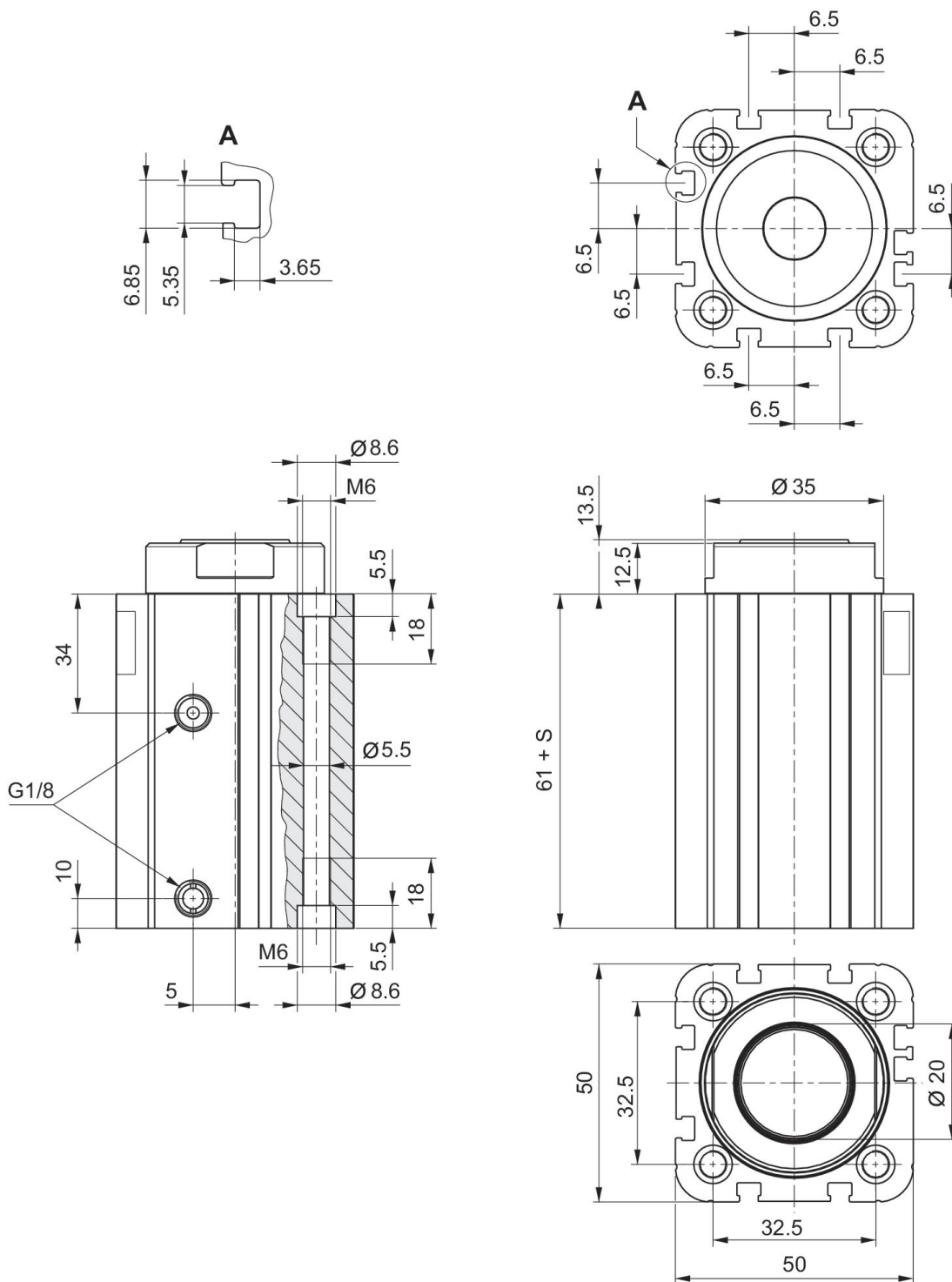
Compact cylinder, Series CCI-SC

Double-acting
Axle pivot version



Piston Ø [mm]	Stroke [mm]	Ports	Cushioning	Magnet-ic piston	Retract-ing piston force [N]	Extract-ing piston force [N]	Max. per-missible radial bearing load [N]	Max. per-missible radial bearing load F during switching operation [N]	Part No.
32	15	G 1/8	Elastic cushioning	Piston with magnet	309	507	3270	570	R452000645
32	20	G 1/8	Elastic cushioning	Piston with magnet	309	507	3270	570	R452000648
32	25	G 1/8	Elastic cushioning	Piston with magnet	309	507	3270	570	R452000651

Dimensions in mm



S = stroke

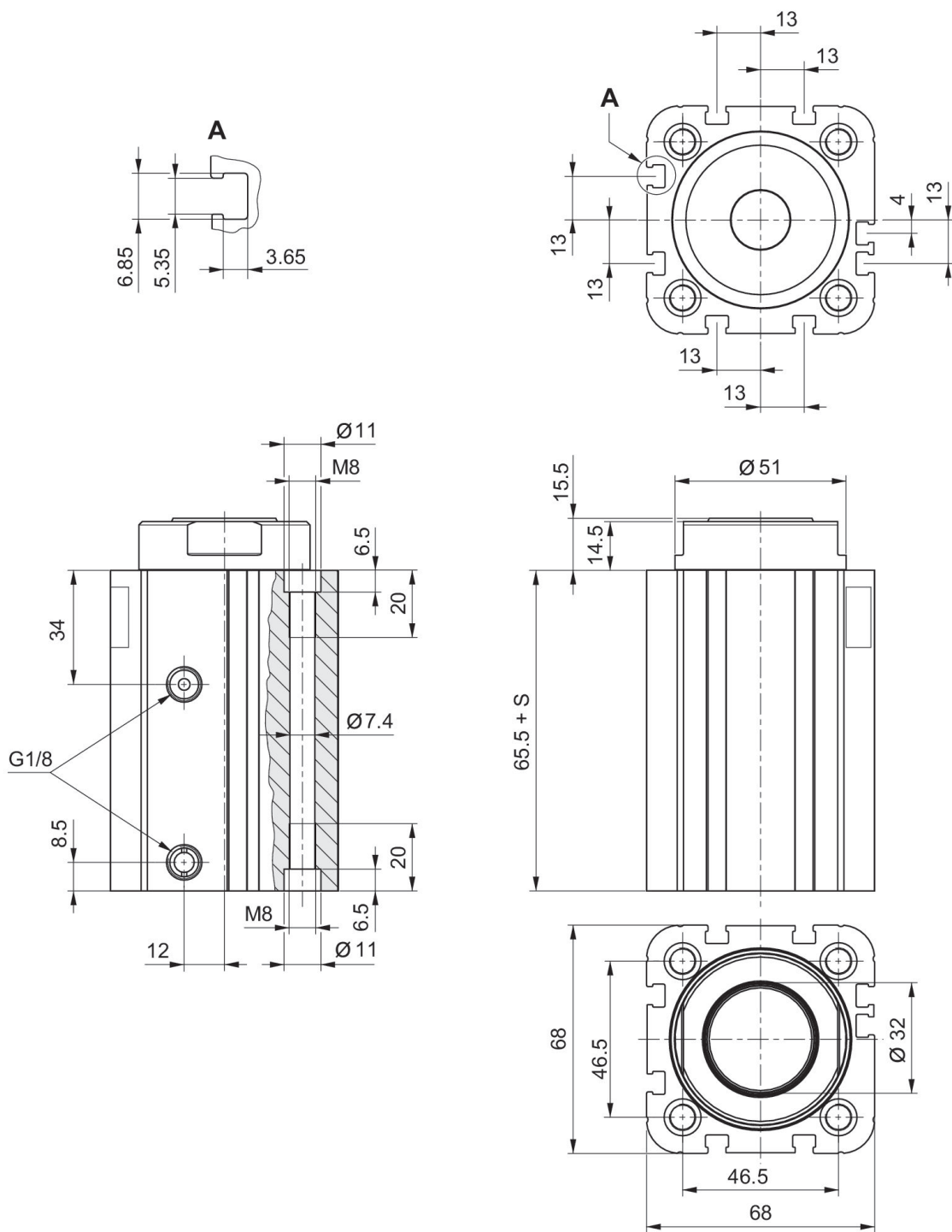
Compact cylinder, Series CCI-SC

Double-acting
Axle pivot version



Piston Ø [mm]	Stroke [mm]	Ports	Cushioning	Magnet-ic piston	Retract-ing piston force [N]	Extract-ing piston force [N]	Max. per-missible radial bearing load [N]	Max. per-missible radial bearing load F during switching operation [N]	Part No.
50	20	G 1/8	Elastic cushioning	Piston with magnet	730	1237	6280	1500	R452000654
50	25	G 1/8	Elastic cushioning	Piston with magnet	730	1237	6280	1500	R452000657
50	30	G 1/8	Elastic cushioning	Piston with magnet	730	1237	6280	1500	R452000660

Dimensions in mm



S = stroke

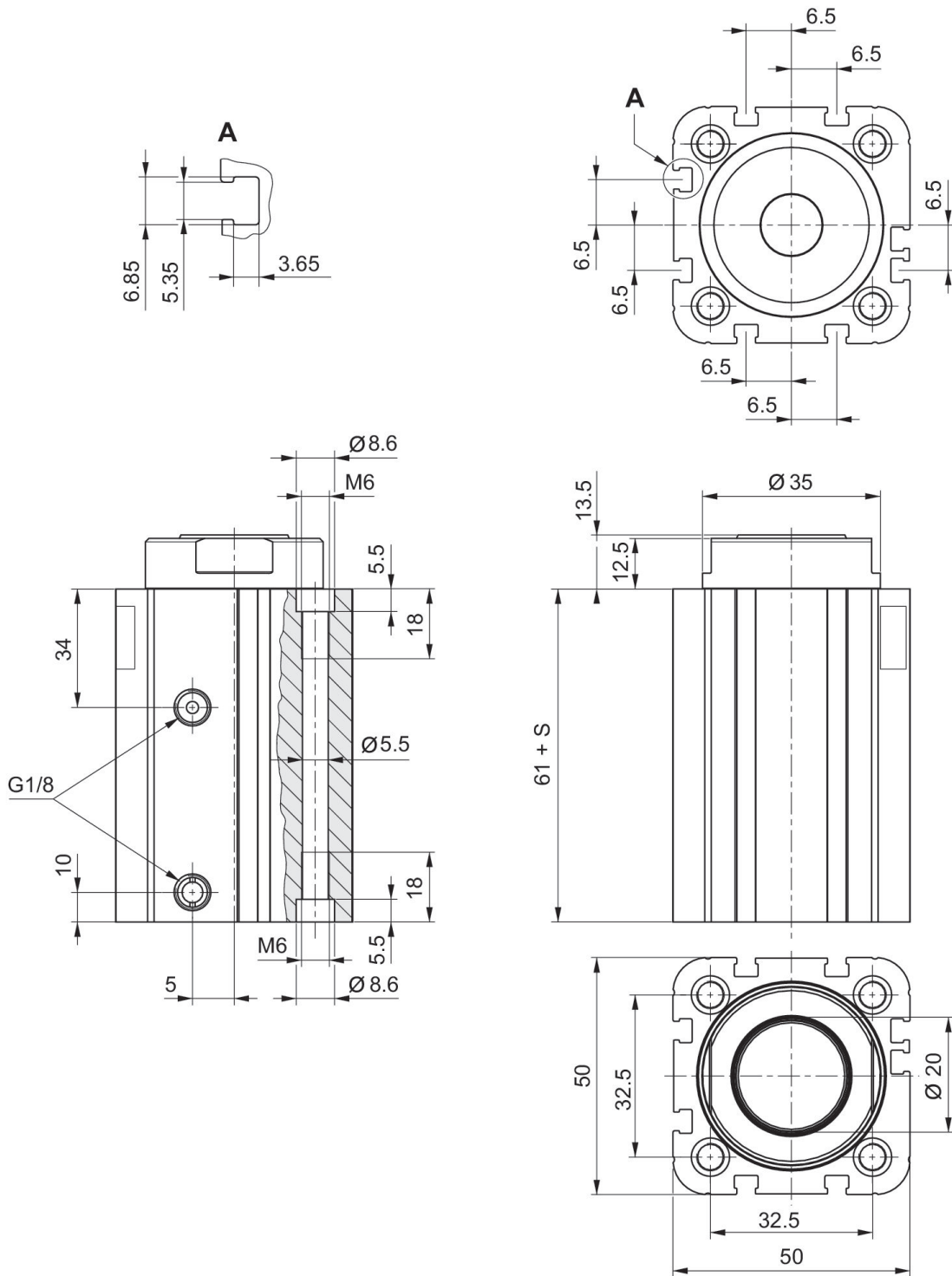
Compact cylinder, Series CCI-SC

double-acting with spring return,
extended without pressure
Axle pivot version



Piston Ø [mm]	Stroke [mm]	Ports	Cushioning	Magnet-ic piston	Retract-ing piston force [N]	Extract-ing piston force [N]	Max. per-missible radial bearing load [N]	Max. per-missible radial bearing load F during switching operation [N]	Part No.
32	15	G 1/8	Elastic cushioning	Piston with magnet	309	507	3270	570	R452000663
32	20	G 1/8	Elastic cushioning	Piston with magnet	309	507	3270	570	R452000666
32	25	G 1/8	Elastic cushioning	Piston with magnet	309	507	3270	570	R452000669

Dimensions in mm



S = stroke

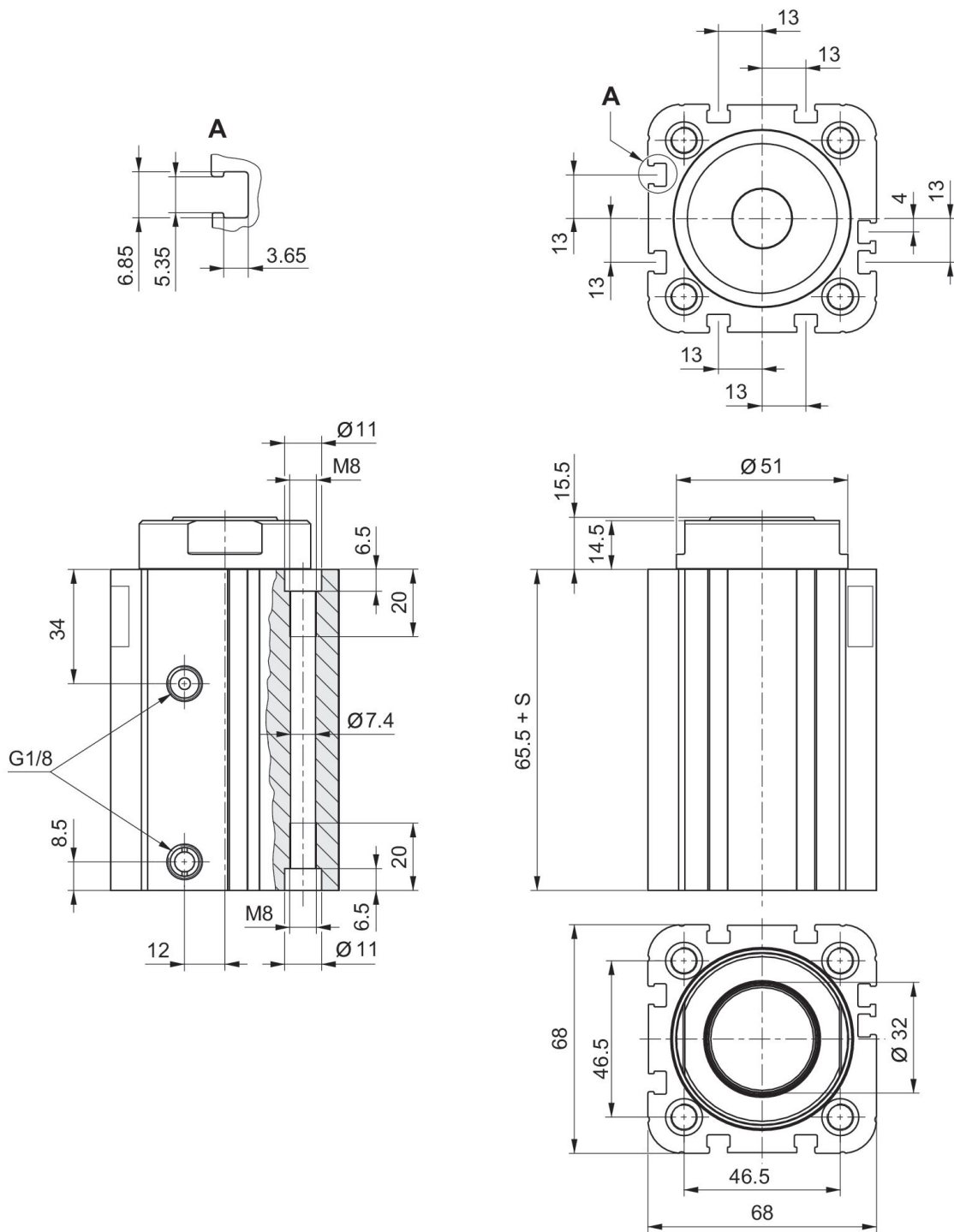
Compact cylinder, Series CCI-SC

double-acting with spring return,
extended without pressure
Axle pivot version



Piston Ø [mm]	Stroke [mm]	Ports	Cushioning	Magnet-ic piston	Retract-ing piston force [N]	Extract-ing piston force [N]	Max. per-missible radial bearing load [N]	Max. per-missible radial bearing load F during switching operation [N]	Part No.
50	20	G 1/8	Elastic cushioning	Piston with magnet	730	1237	6280	1500	R452000672
50	25	G 1/8	Elastic cushioning	Piston with magnet	730	1237	6280	1500	R452000675
50	30	G 1/8	Elastic cushioning	Piston with magnet	730	1237	6280	1500	R452000678

Dimensions in mm



S = stroke

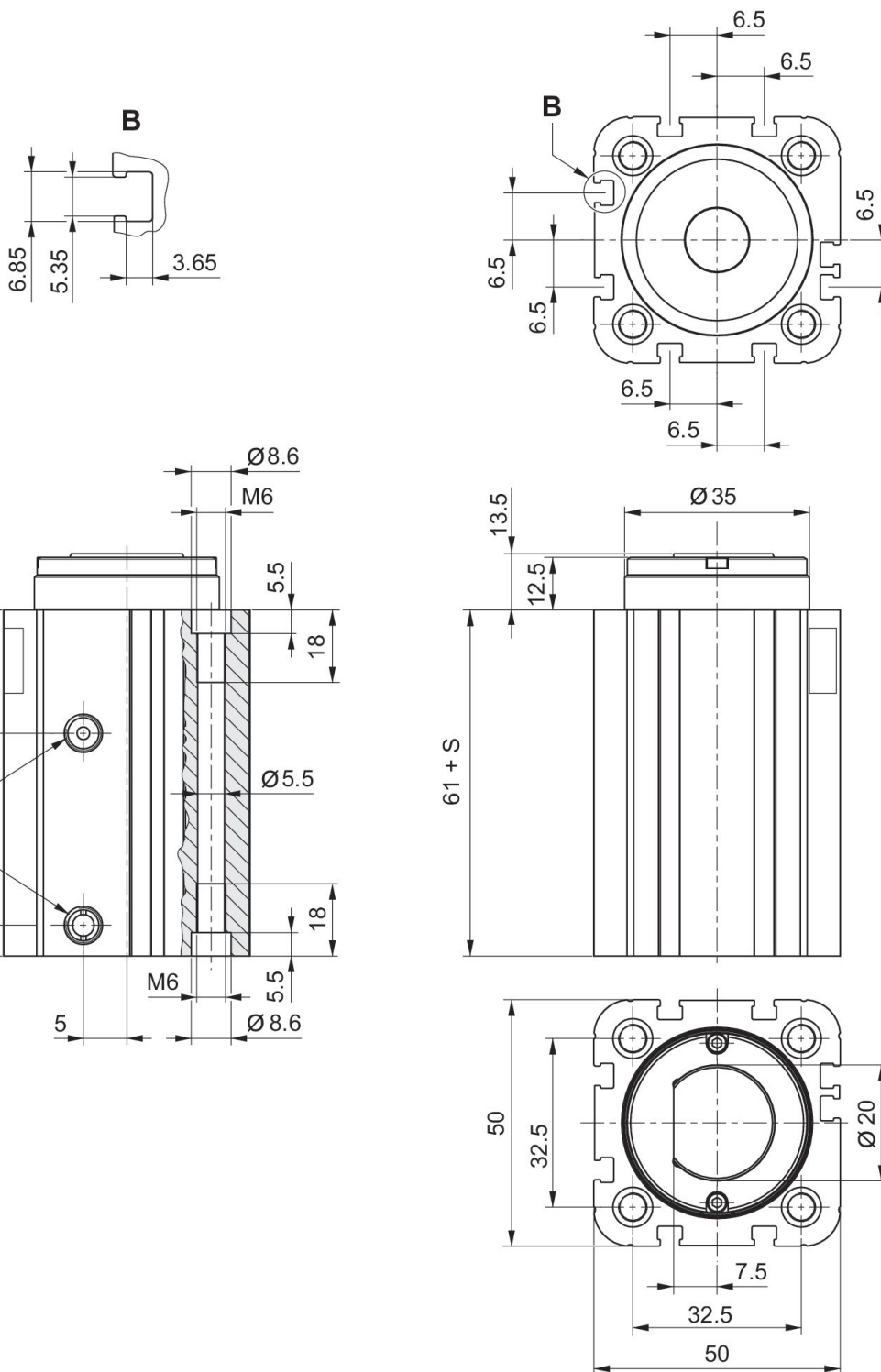
Compact cylinder, Series CCI-SC

Based on ISO 21287
Single-acting, extended without
pressure
Axle pivot version
non-rotating



Piston Ø [mm]	Stroke [mm]	Ports	Cushioning	Magnet-ic piston	Retract-ing piston force [N]	Extract-ing piston force [N]	Max. per-missible radial bearing load [N]	Max. per-missible radial bearing load F during switching operation [N]	Part No.
32	15	G 1/8	Elastic cushioning	Piston with magnet	309	507	3720	570	R452000628
32	20	G 1/8	Elastic cushioning	Piston with magnet	309	507	3720	570	R452000631
32	25	G 1/8	Elastic cushioning	Piston with magnet	309	507	3720	570	R452000634

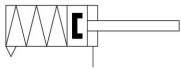
Dimensions in mm



S = stroke

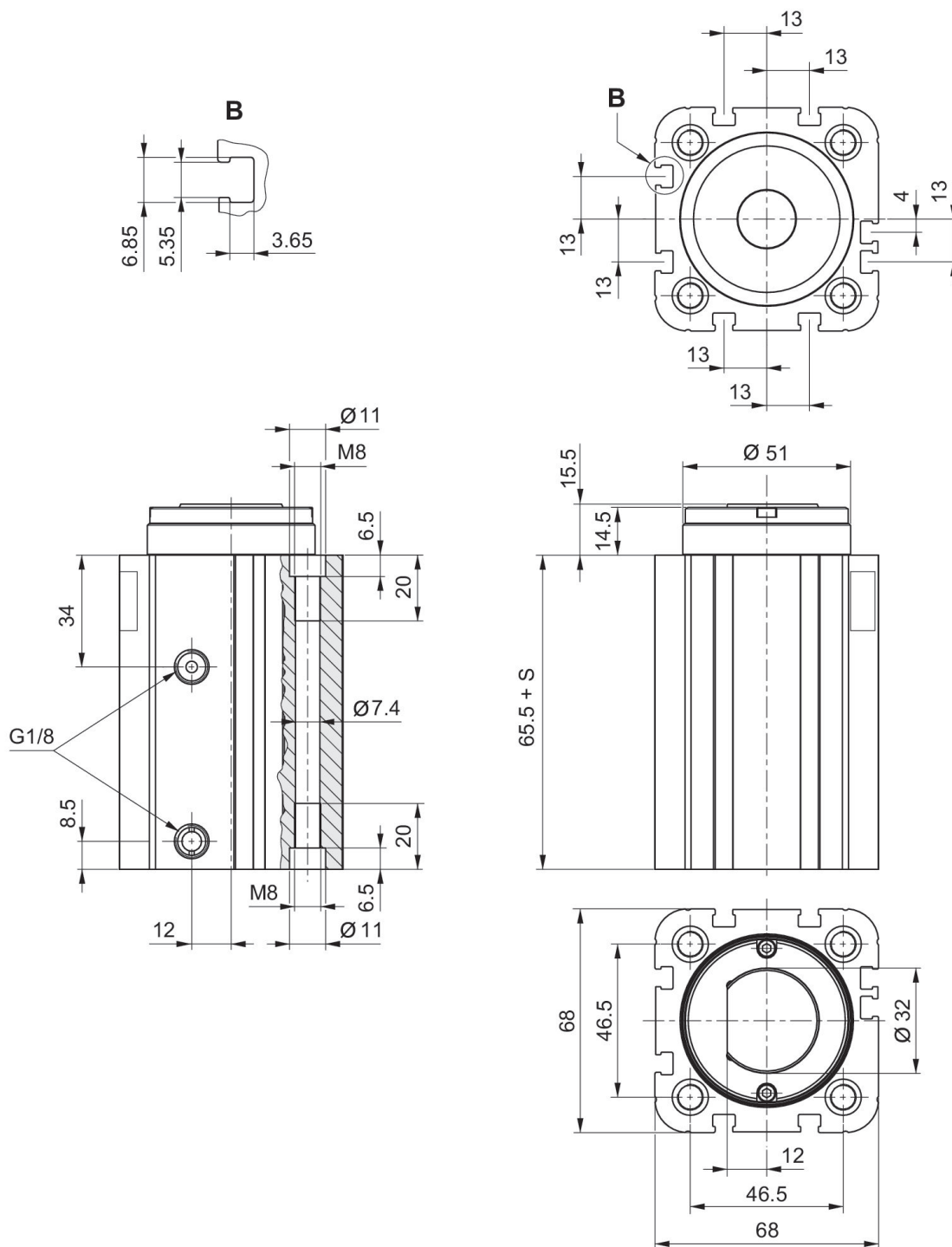
Compact cylinder, Series CCI-SC

Based on ISO 21287
Single-acting, extended without
pressure
Axle pivot version
non-rotating



Piston Ø [mm]	Stroke [mm]	Ports	Cushioning	Magnet- ic piston	Retract- ing pis- ton force [N]	Extract- ing pis- ton force [N]	Max. per- missible radial bear- ing load [N]	Max. per- missible radial bear- ing load F during switching operation [N]	Part No.
50	20	G 1/8	Elastic cushioning	Piston with magnet	730	1237	6280	1500	R452000637
50	25	G 1/8	Elastic cushioning	Piston with magnet	730	1237	6280	1500	R452000640
50	30	G 1/8	Elastic cushioning	Piston with magnet	730	1237	6280	1500	R452000643

Dimensions in mm



S = stroke

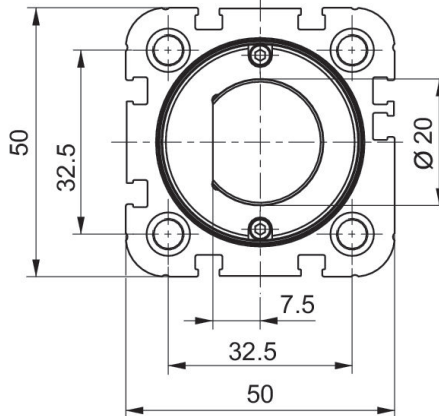
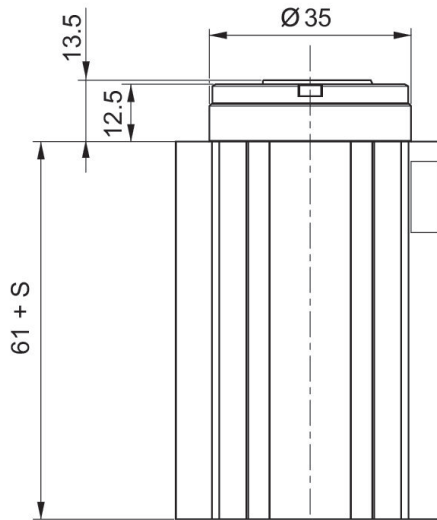
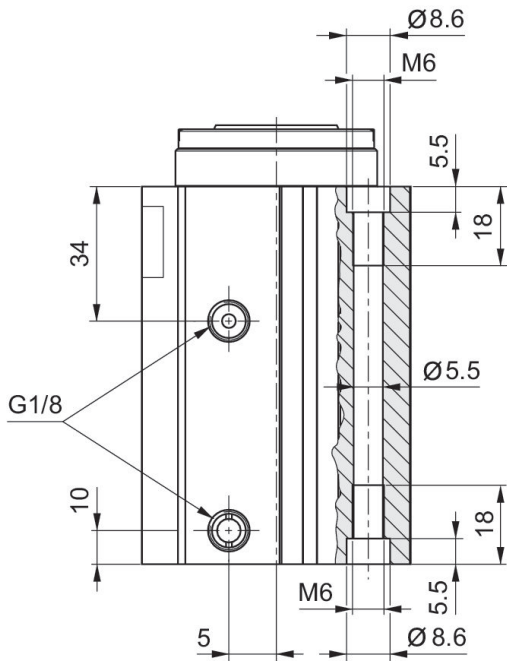
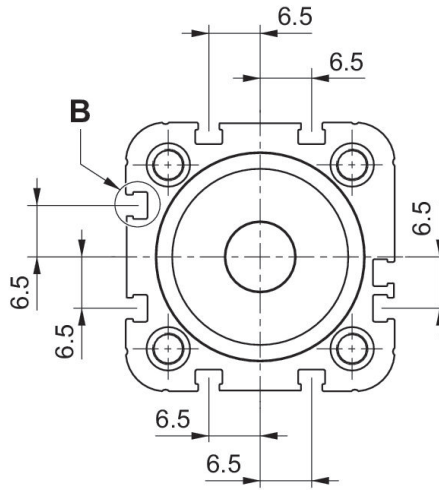
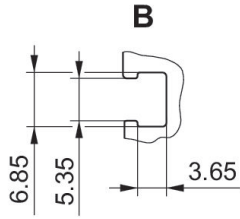
Compact cylinder, Series CCI-SC

double-acting with spring return,
extended without pressure
Axle pivot version
non-rotating



Piston Ø [mm]	Stroke [mm]	Ports	Cushioning	Magnet-ic piston	Retract-ing piston force [N]	Extract-ing piston force [N]	Max. per-missible radial bearing load [N]	Max. per-missible radial bearing load F during switching operation [N]	Part No.
32	15	G 1/8	Elastic cushioning	Piston with magnet	309	507	3720	570	R452000664
32	20	G 1/8	Elastic cushioning	Piston with magnet	309	507	3720	570	R452000667
32	25	G 1/8	Elastic cushioning	Piston with magnet	309	507	3720	570	R452000670

Dimensions in mm



S = stroke

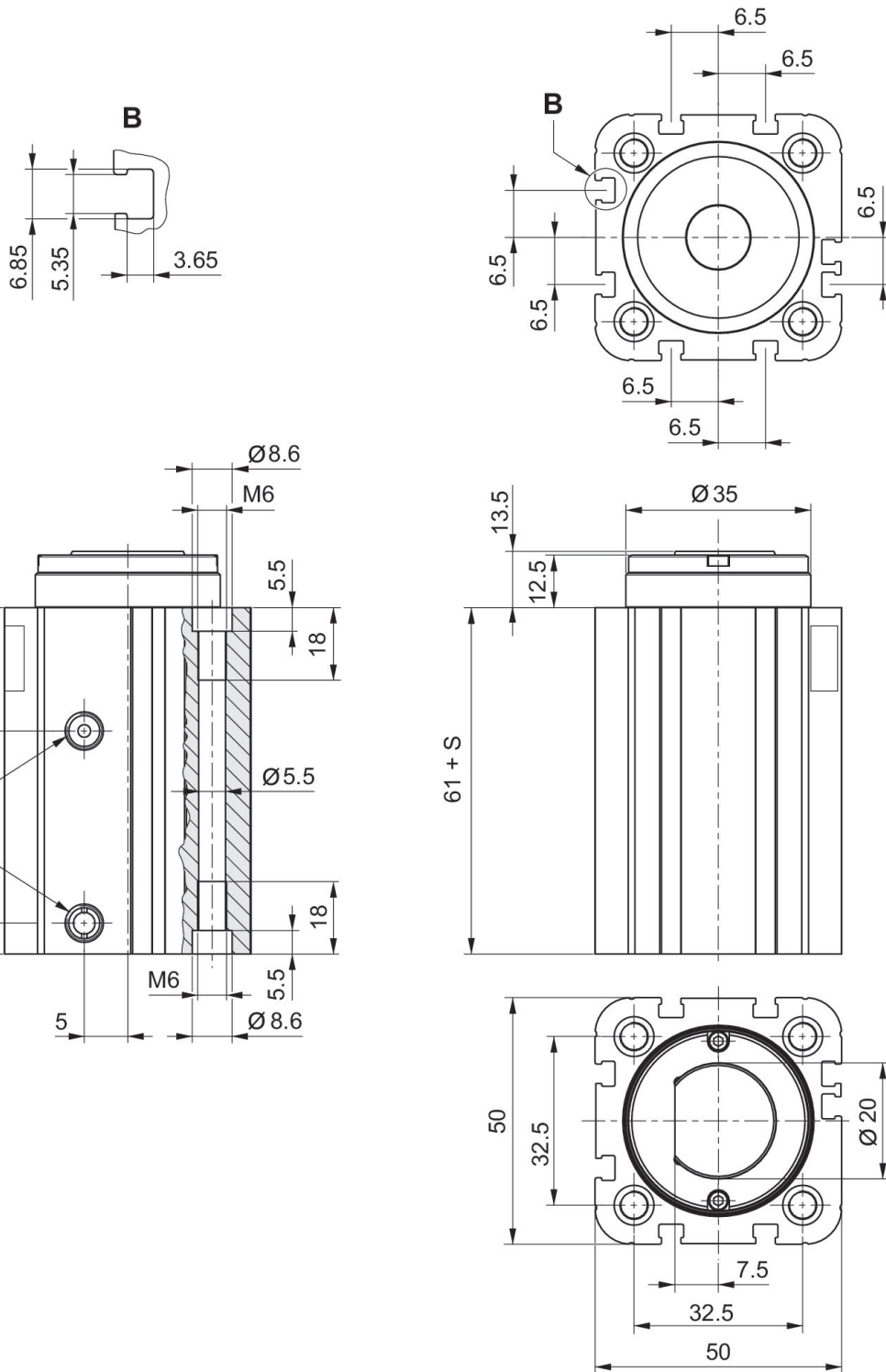
Compact cylinder, Series CCI-SC

Double-acting
Axle pivot version
non-rotating



Piston Ø [mm]	Stroke [mm]	Ports	Cushioning	Magnet-ic piston	Retract-ing pis-ton force [N]	Extract-ing pis-ton force [N]	Max. per-missible radial bear-ing load [N]	Max. per-missible radial bear-ing load F during switching operation [N]	Part No.
32	15	G 1/8	Elastic cushioning	Piston with magnet	309	507	3720	570	R452000646
32	20	G 1/8	Elastic cushioning	Piston with magnet	309	507	3720	570	R452000649
32	25	G 1/8	Elastic cushioning	Piston with magnet	309	507	3720	570	R452000652

Dimensions in mm



S = stroke

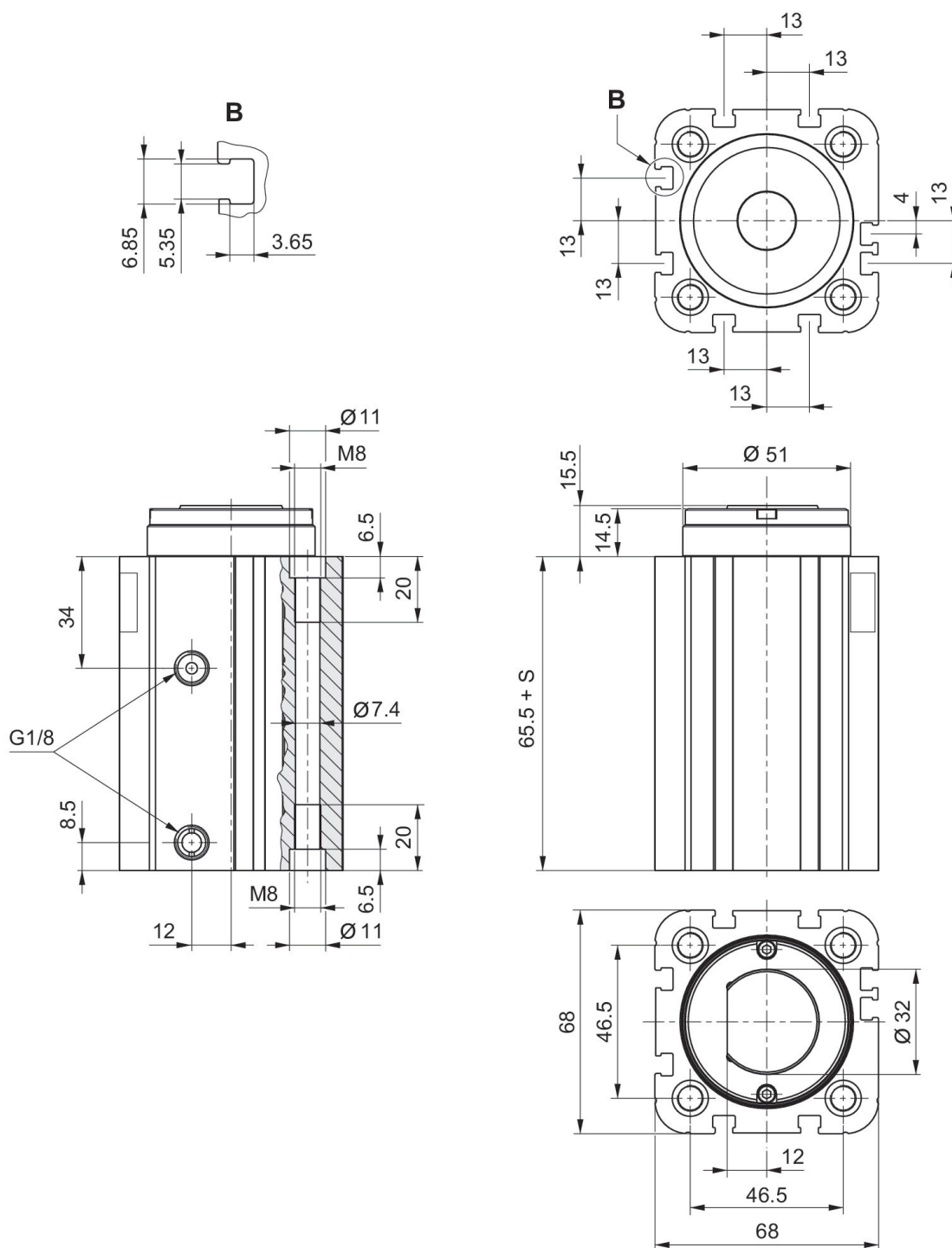
Compact cylinder, Series CCI-SC

double-acting with spring return,
extended without pressure
Axle pivot version
non-rotating



Piston Ø [mm]	Stroke [mm]	Ports	Cushioning	Magnet-ic piston	Retract-ing piston force [N]	Extract-ing piston force [N]	Max. per-missible radial bearing load [N]	Max. per-missible radial bearing load F during switching operation [N]	Part No.
50	20	G 1/8	Elastic cushioning	Piston with magnet	730	1237	6280	1500	R452000673
50	25	G 1/8	Elastic cushioning	Piston with magnet	730	1237	6280	1500	R452000676
50	30	G 1/8	Elastic cushioning	Piston with magnet	730	1237	6280	1500	R452000679

Dimensions in mm



S = stroke

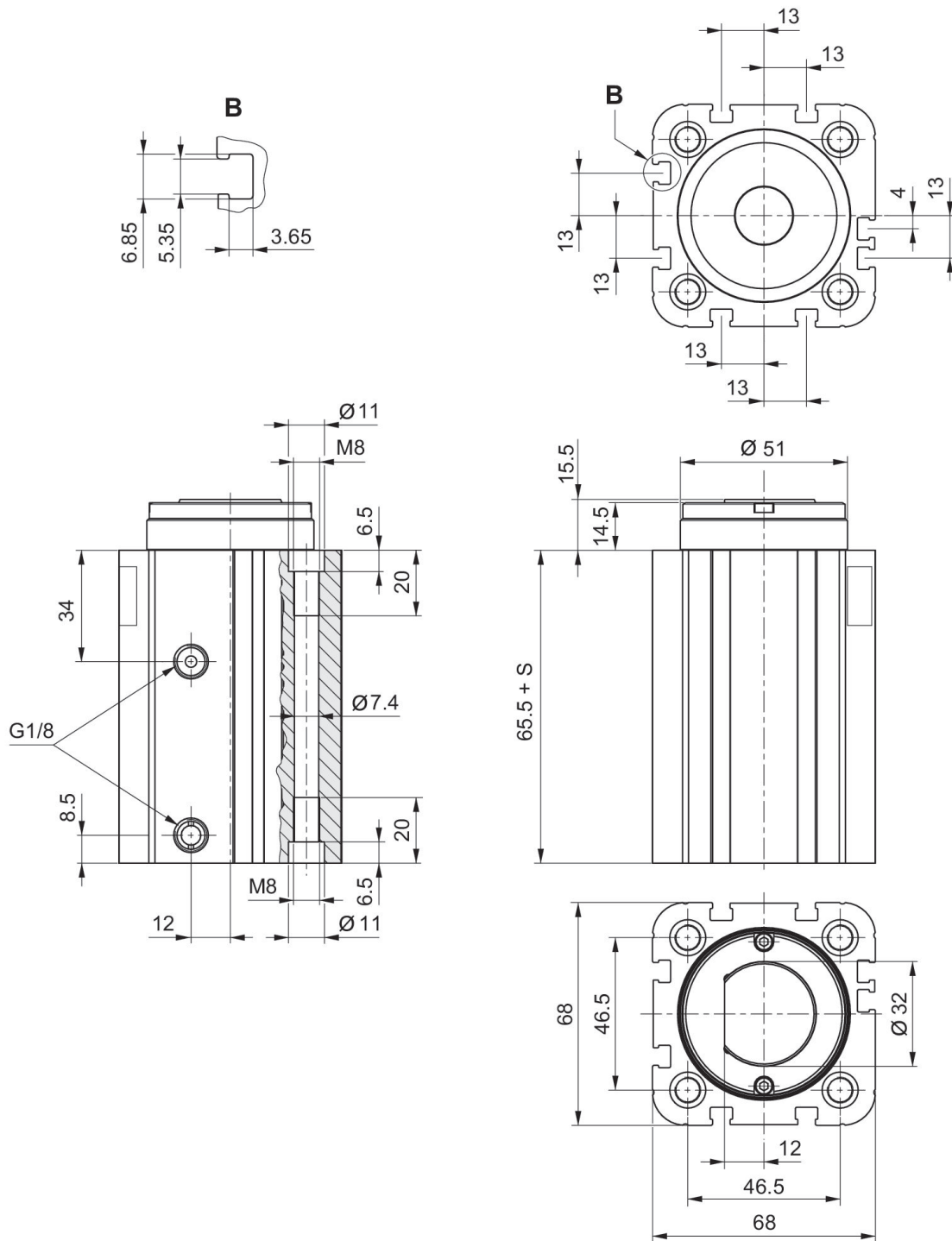
Compact cylinder, Series CCI-SC

Double-acting
Axle pivot version
non-rotating



Piston Ø [mm]	Stroke [mm]	Ports	Cushioning	Magnet-ic piston	Retract-ing piston force [N]	Extract-ing piston force [N]	Max. per-missible radial bearing load [N]	Max. per-missible radial bearing load F during switching operation [N]	Part No.
50	20	G 1/8	Elastic cushioning	Piston with magnet	730	1237	6280	1500	R452000655
50	25	G 1/8	Elastic cushioning	Piston with magnet	730	1237	6280	1500	R452000658
50	30	G 1/8	Elastic cushioning	Piston with magnet	730	1237	6280	1500	R452000661

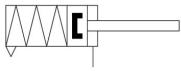
Dimensions in mm



S = stroke

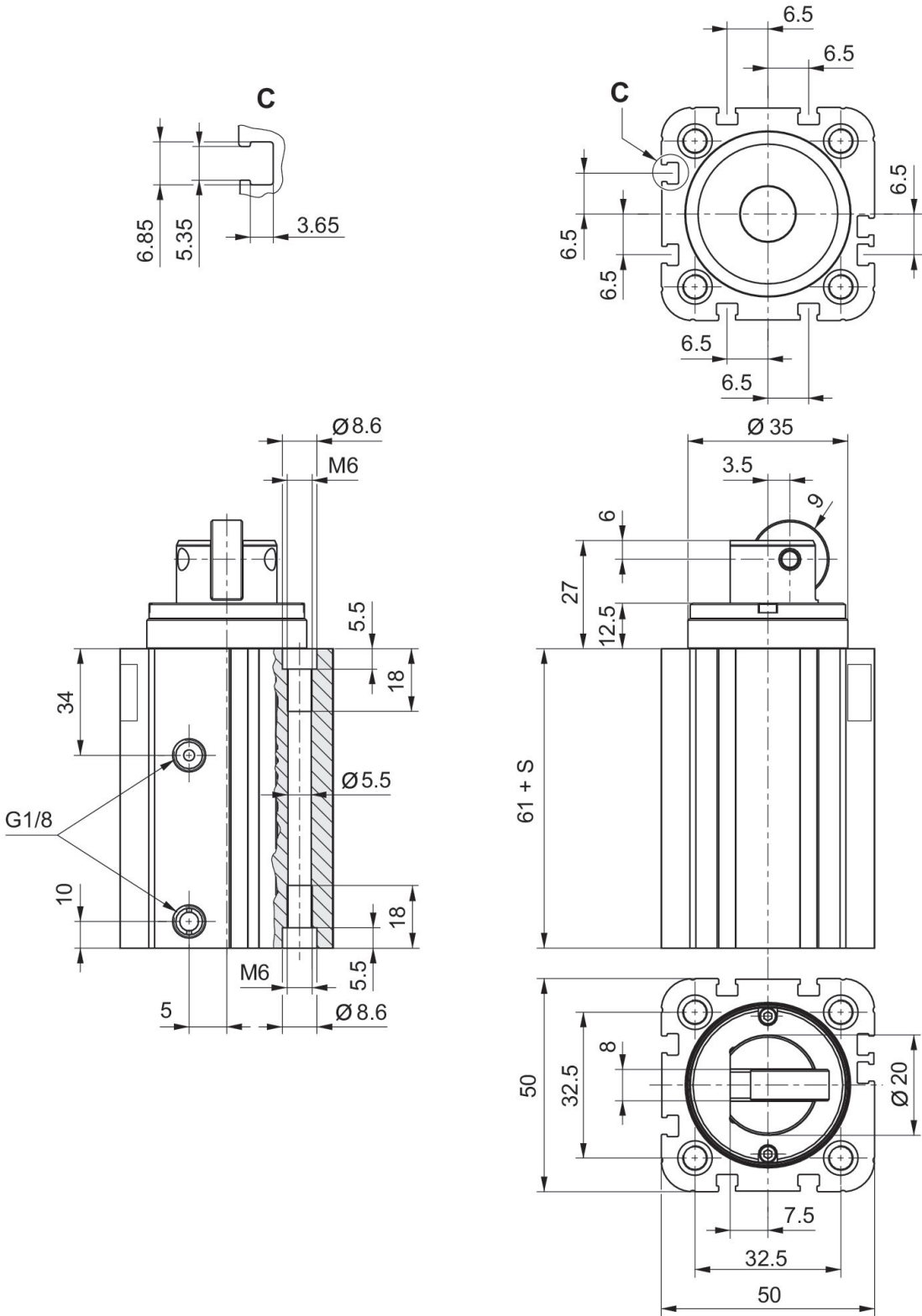
Compact cylinder, Series CCI-SC

Based on ISO 21287
Single-acting, extended without
pressure
Roller version
non-rotating



Piston Ø [mm]	Stroke [mm]	Ports	Cushioning	Magnet-ic piston	Retract-ing piston force [N]	Extract-ing piston force [N]	Max. per-missible radial bearing load [N]	Max. per-missible radial bearing load F during switching operation [N]	Part No.
32	15	G 1/8	Elastic cushioning	Piston with magnet	309	507	2670	420	R452000629
32	20	G 1/8	Elastic cushioning	Piston with magnet	309	507	2670	420	R452000632
32	25	G 1/8	Elastic cushioning	Piston with magnet	309	507	2670	420	R452000635

Dimensions in mm



S = stroke

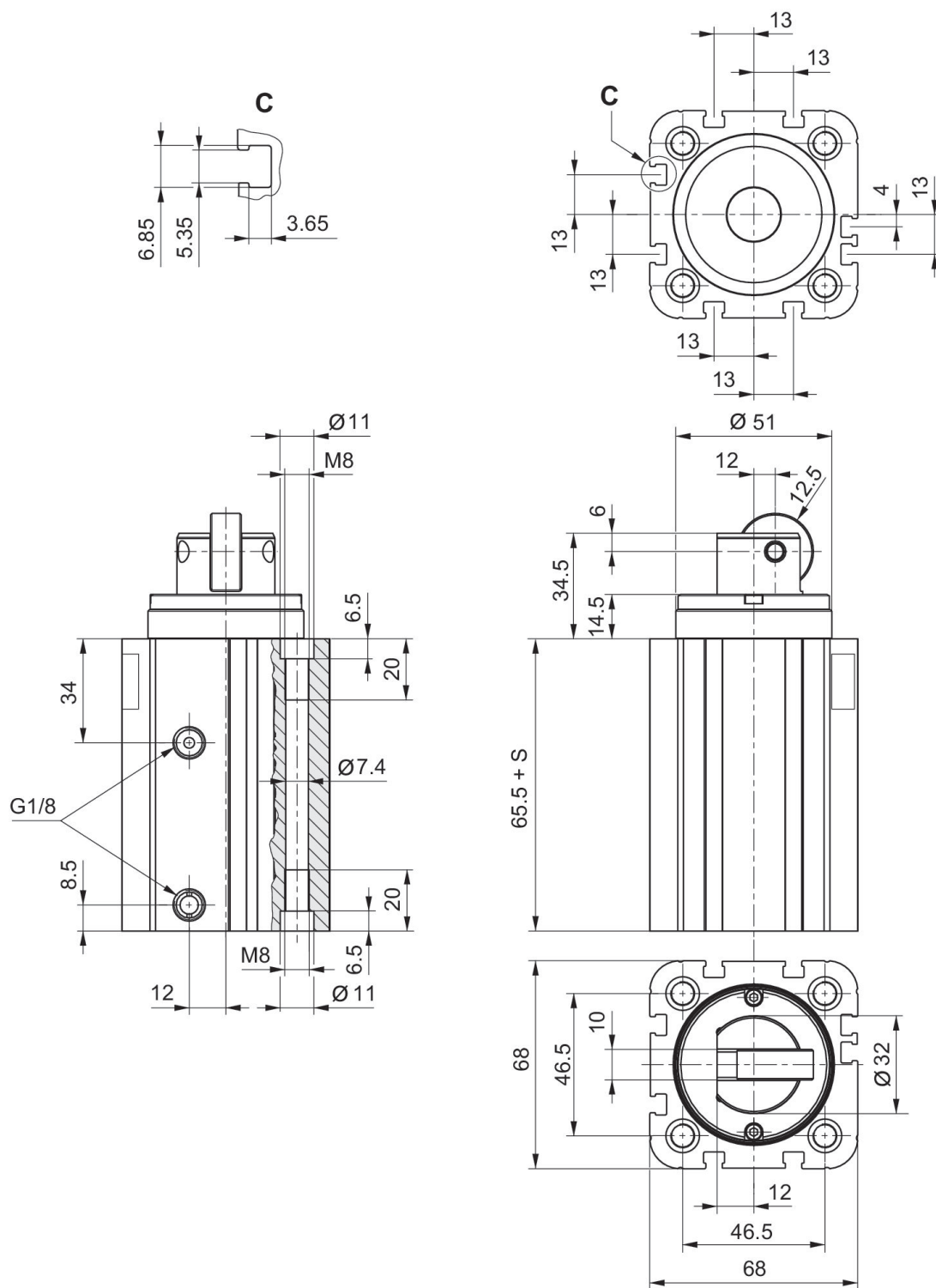
Compact cylinder, Series CCI-SC

Based on ISO 21287
Single-acting, extended without
pressure
Roller version
non-rotating



Piston Ø [mm]	Stroke [mm]	Ports	Cushioning	Magnet-ic piston	Retract-ing piston force [N]	Extract-ing piston force [N]	Max. per-missible radial bearing load [N]	Max. per-missible radial bearing load F during switching operation [N]	Part No.
50	20	G 1/8	Elastic cushioning	Piston with magnet	730	1237	5000	1200	R452000638
50	25	G 1/8	Elastic cushioning	Piston with magnet	730	1237	5000	1200	R452000641
50	30	G 1/8	Elastic cushioning	Piston with magnet	730	1237	5000	1200	R452000644

Dimensions in mm



S = stroke

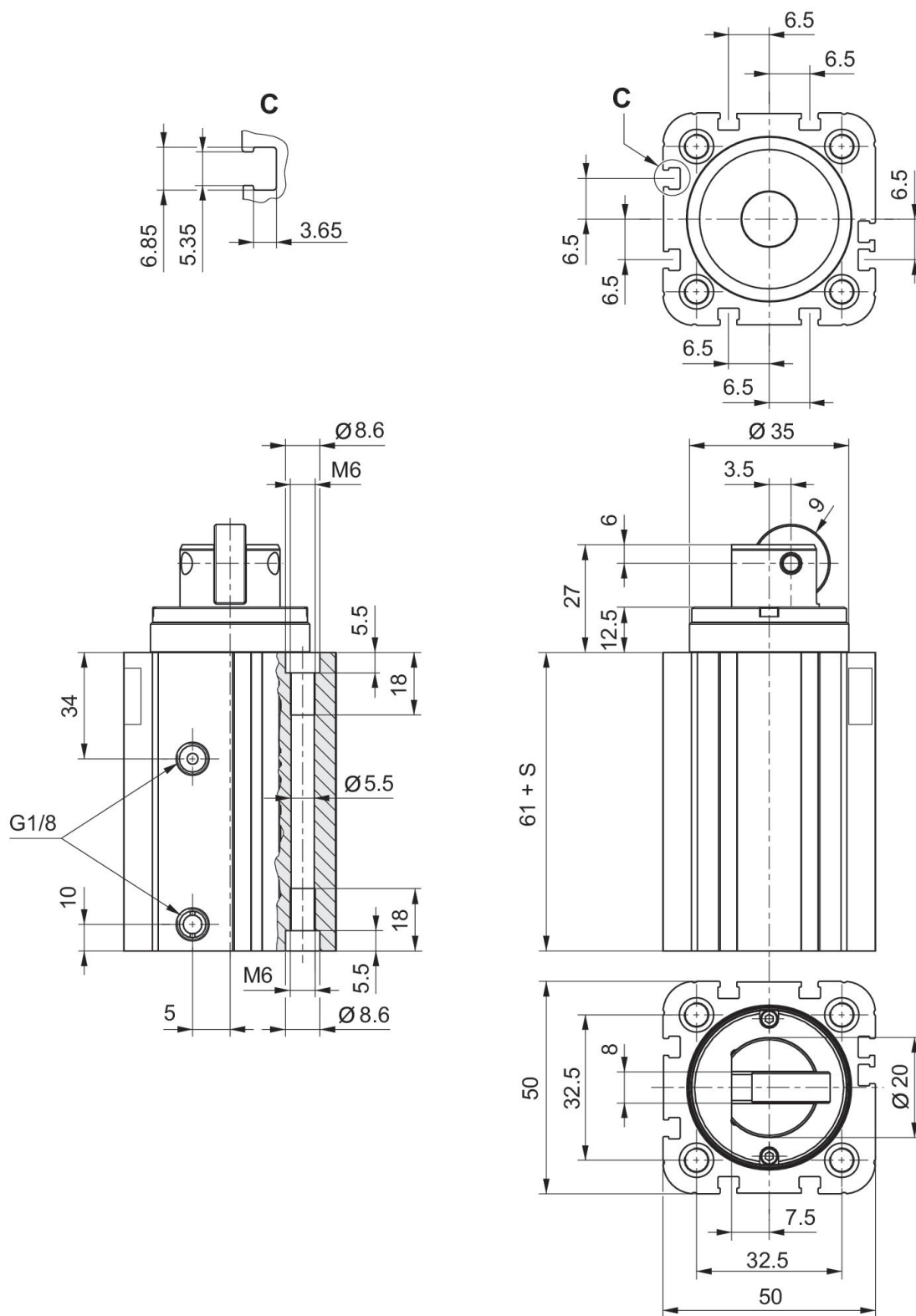
Compact cylinder, Series CCI-SC

Double-acting
Roller version
non-rotating



Piston Ø [mm]	Stroke [mm]	Ports	Cushioning	Magnet-ic piston	Retract-ing piston force [N]	Extract-ing piston force [N]	Max. per-missible radial bearing load [N]	Max. per-missible radial bearing load F during switching operation [N]	Part No.
32	15	G 1/8	Elastic cushioning	Piston with magnet	309	507	2670	420	R452000647
32	20	G 1/8	Elastic cushioning	Piston with magnet	309	507	2670	420	R452000650
32	25	G 1/8	Elastic cushioning	Piston with magnet	309	507	2670	420	R452000653

Dimensions in mm



S = stroke

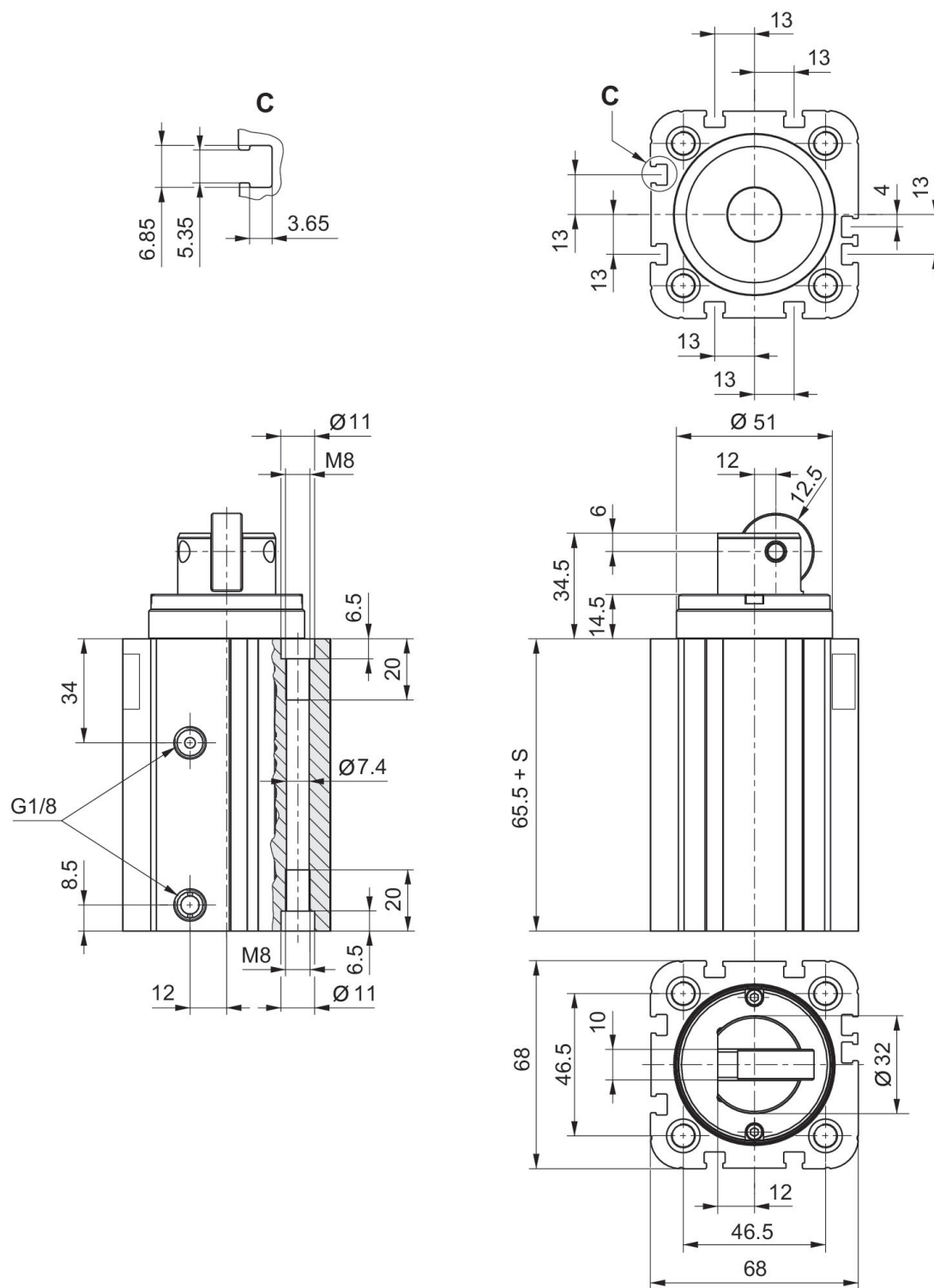
Compact cylinder, Series CCI-SC

Double-acting
Roller version
non-rotating



Piston Ø [mm]	Stroke [mm]	Ports	Cushioning	Magnet-ic piston	Retract-ing piston force [N]	Extract-ing piston force [N]	Max. per-missible radial bearing load [N]	Max. per-missible radial bearing load F during switching operation [N]	Part No.
50	20	G 1/8	Elastic cushioning	Piston with magnet	730	1237	5000	1200	R452000656
50	25	G 1/8	Elastic cushioning	Piston with magnet	730	1237	5000	1200	R452000659
50	30	G 1/8	Elastic cushioning	Piston with magnet	730	1237	5000	1200	R452000662

Dimensions in mm



S = stroke

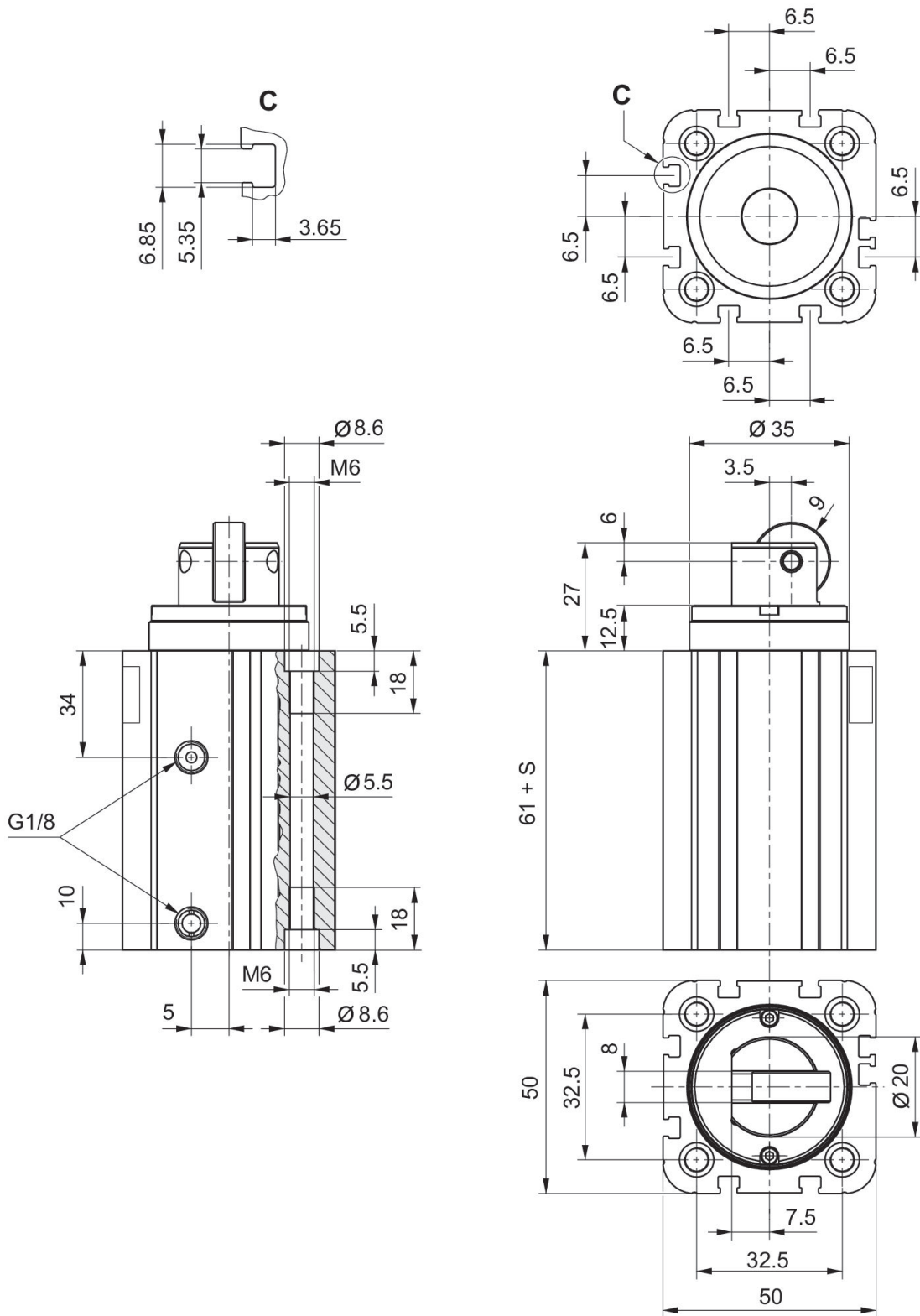
Compact cylinder, Series CCI-SC

double-acting with spring return,
extended without pressure
Roller version
non-rotating



Piston Ø [mm]	Stroke [mm]	Ports	Cushioning	Magnet-ic piston	Retract-ing piston force [N]	Extract-ing piston force [N]	Max. per-missible radial bearing load [N]	Max. per-missible radial bearing load F during switching operation [N]	Part No.
32	15	G 1/8	Elastic cushioning	Piston with magnet	309	507	2670	420	R452000665
32	20	G 1/8	Elastic cushioning	Piston with magnet	309	507	2670	420	R452000668
32	25	G 1/8	Elastic cushioning	Piston with magnet	309	507	2670	420	R452000671

Dimensions in mm



S = stroke

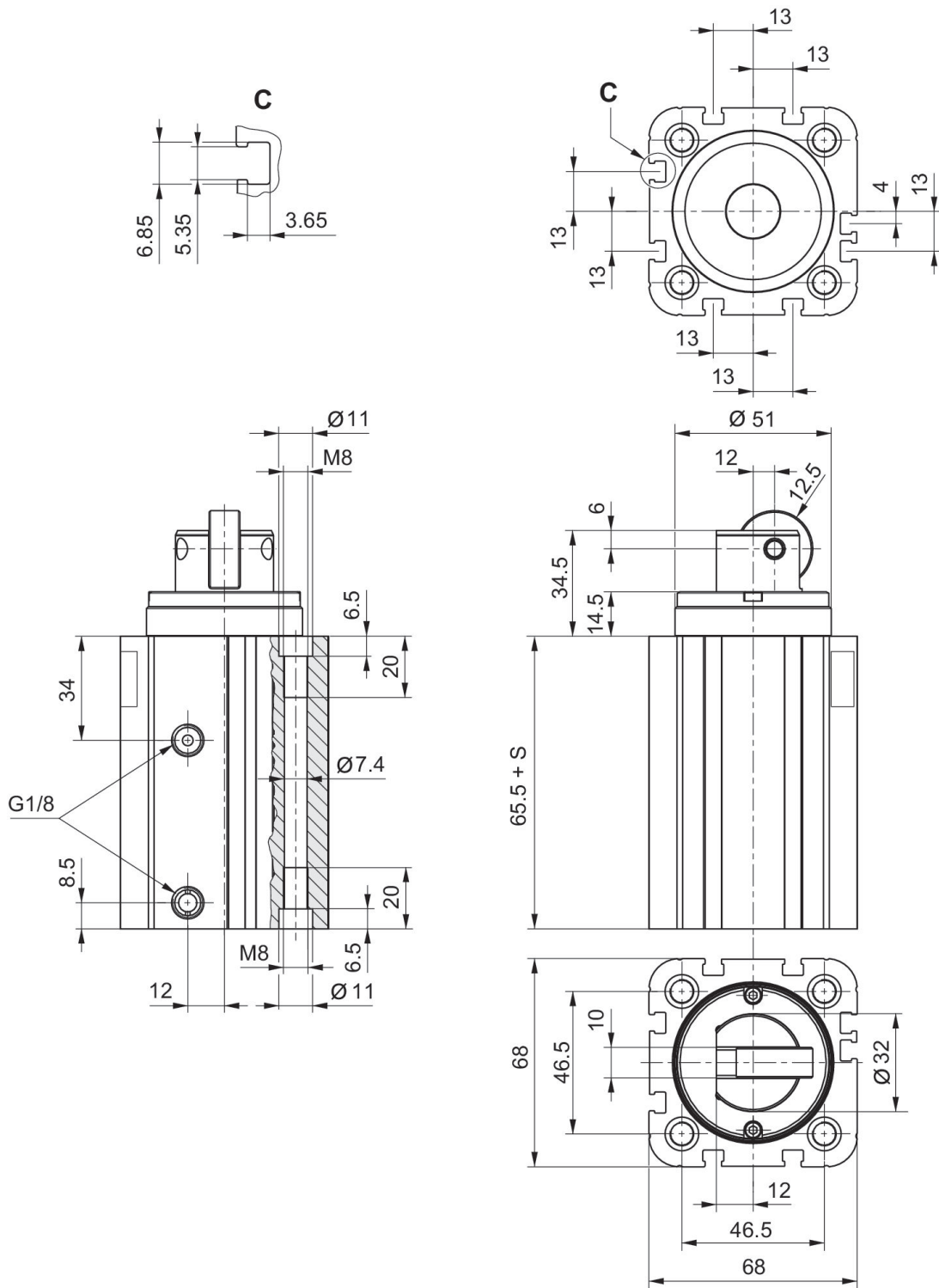
Compact cylinder, Series CCI-SC

double-acting with spring return,
extended without pressure
Roller version
non-rotating



Piston Ø [mm]	Stroke [mm]	Ports	Cushioning	Magnet-ic piston	Retract-ing piston force [N]	Extract-ing piston force [N]	Max. per-missible radial bearing load [N]	Max. per-missible radial bearing load F during switching operation [N]	Part No.
50	20	G 1/8	Elastic cushioning	Piston with magnet	730	1237	5000	1200	R452000674
50	25	G 1/8	Elastic cushioning	Piston with magnet	730	1237	5000	1200	R452000677
50	30	G 1/8	Elastic cushioning	Piston with magnet	730	1237	5000	1200	R452000680

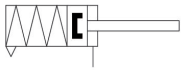
Dimensions in mm



S = stroke

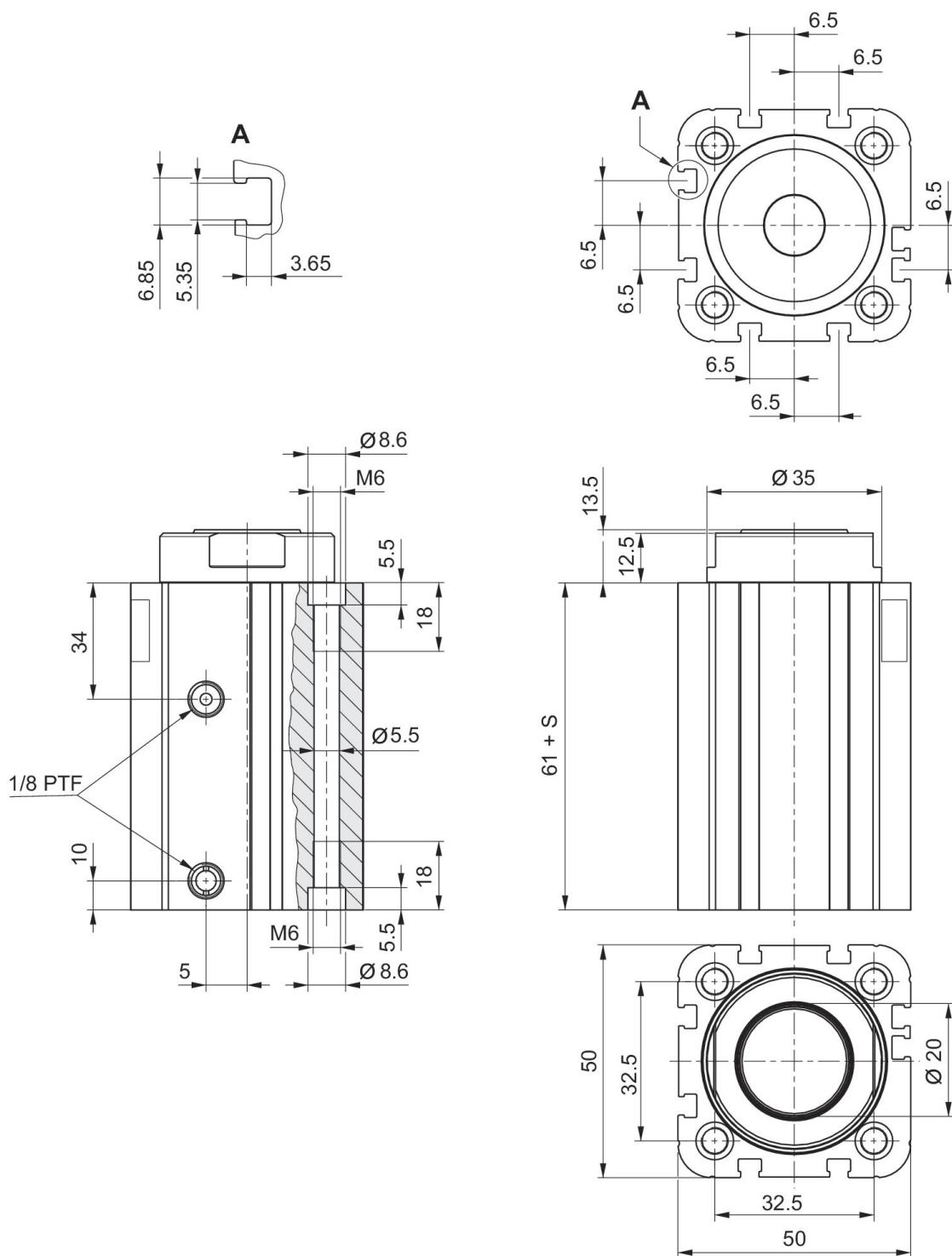
Compact cylinder, Series CCI-SC

Axle pivot version



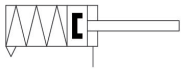
Piston Ø [mm]	Stroke [mm]	Ports	Cushioning	Magnet-ic piston	Retract-ing piston force [N]	Extract-ing piston force [N]	Max. per-missible radial bearing load [N]	Max. per-missible radial bearing load F during switching operation [N]	Part No.
32	15	1/8 NPT	Elastic cushioning	Piston with magnet	309	507	3270	570	R452000747
32	20	1/8 NPT	Elastic cushioning	Piston with magnet	309	507	3270	570	R452000750
32	25	1/8 NPT	Elastic cushioning	Piston with magnet	309	507	3270	570	R452000753

Dimensions in mm



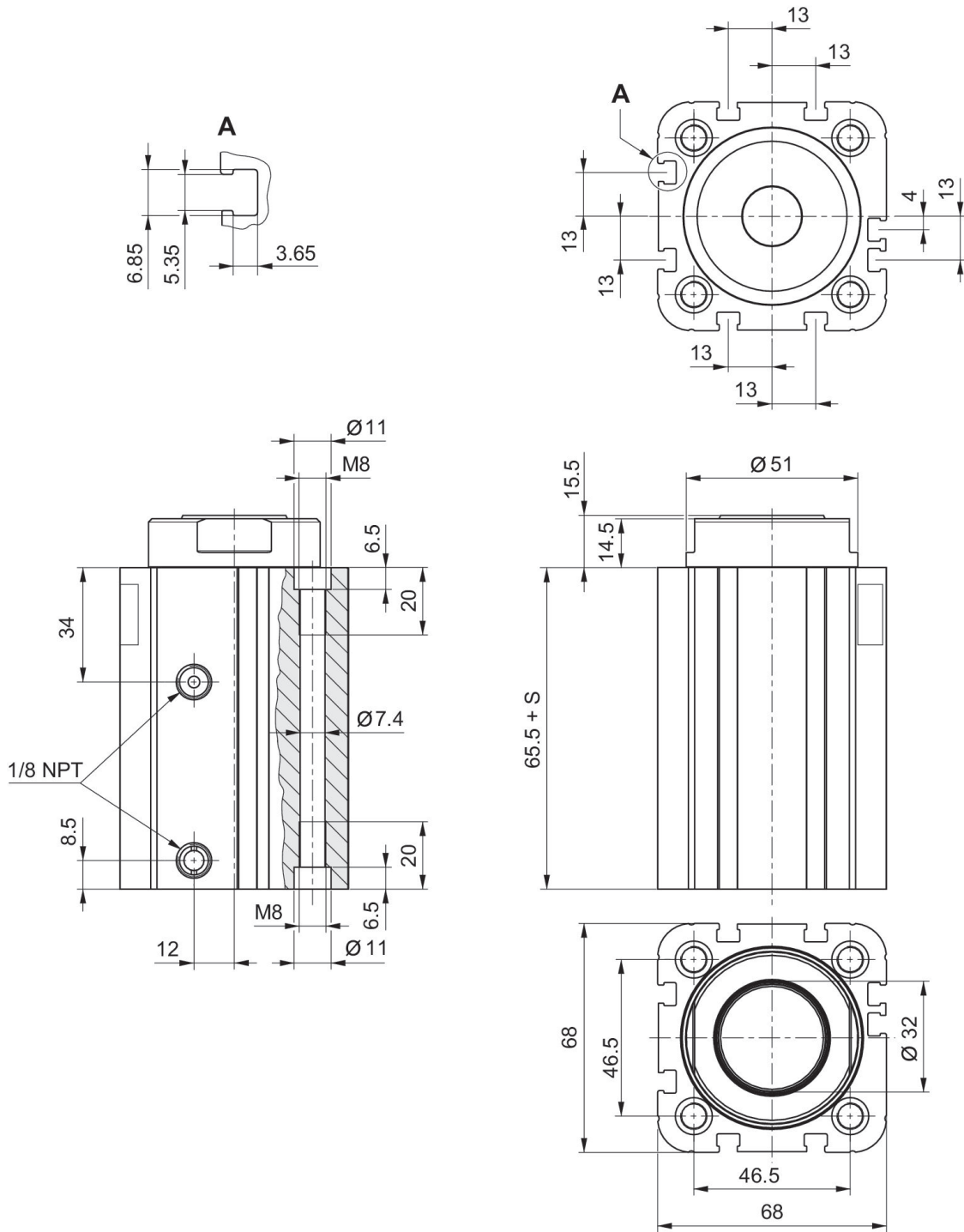
Compact cylinder, Series CCI-SC

Axle pivot version



Piston Ø [mm]	Stroke [mm]	Ports	Cushioning	Magnet-ic piston	Retract-ing piston force [N]	Extract-ing piston force [N]	Max. per-missible radial bearing load [N]	Max. per-missible radial bearing load F during switching operation [N]	Part No.
50	20	1/8 NPT	Elastic cushioning	Piston with magnet	730	1237	6280	1500	R452000756
50	25	1/8 NPT	Elastic cushioning	Piston with magnet	730	1237	6280	1500	R452000759
50	30	1/8 NPT	Elastic cushioning	Piston with magnet	730	1237	6280	1500	R452000762

Dimensions in mm



Compact cylinder, Series CCI-SC

Double-acting
Axle pivot version



Piston Ø [mm]	Stroke [mm]	Ports	Cushioning	Magnet-ic piston	Retract-ing piston force [N]	Extract-ing piston force [N]	Max. per-missible radial bearing load [N]	Max. per-missible radial bearing load F during switching operation [N]	Part No.
32	15	1/8 NPT	Elastic cushioning	Piston with magnet	309	507	3270	570	R452000765
32	20	1/8 NPT	Elastic cushioning	Piston with magnet	309	507	3270	570	R452000768
32	25	1/8 NPT	Elastic cushioning	Piston with magnet	309	507	3270	570	R452000771

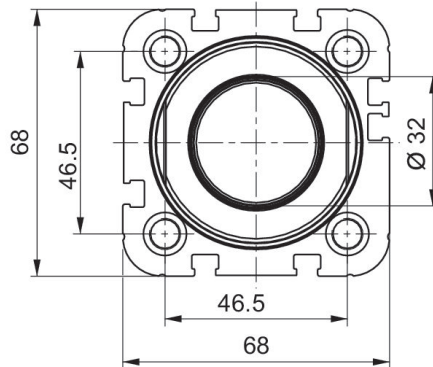
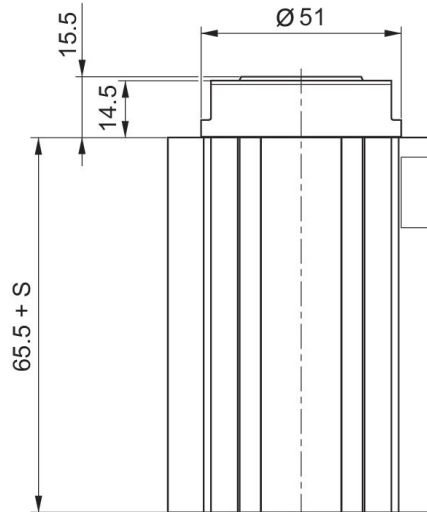
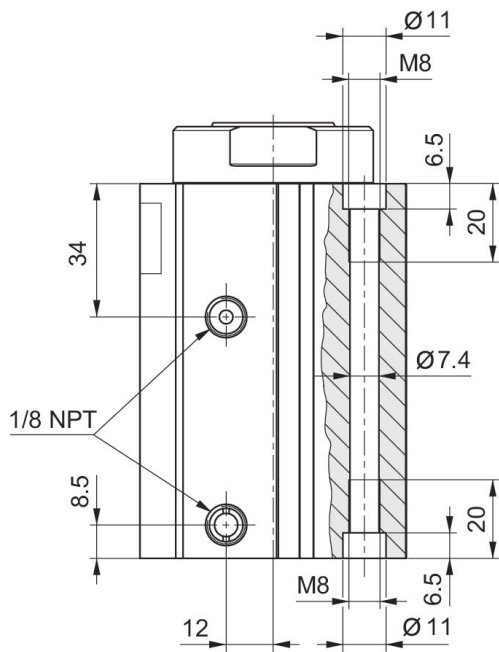
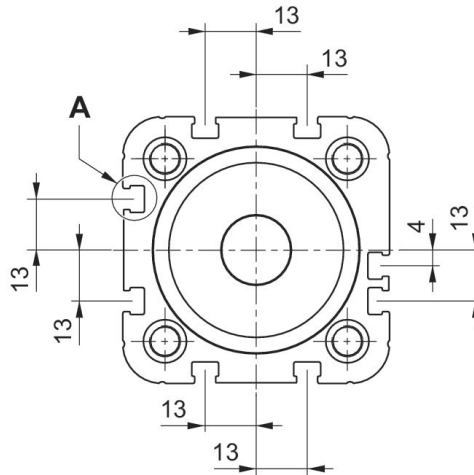
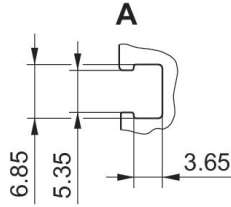
Compact cylinder, Series CCI-SC

Double-acting
Axle pivot version



Piston Ø [mm]	Stroke [mm]	Ports	Cushioning	Magnetic piston	Retracting piston force [N]	Extracting piston force [N]	Max. permissible radial bearing load [N]	Max. permissible radial bearing load F during switching operation [N]	Part No.
50	20	1/8 NPT	Elastic cushioning	Piston with magnet	730	1237	6280	1500	R452000774
50	25	1/8 NPT	Elastic cushioning	Piston with magnet	730	1237	6280	1500	R452000777
50	30	1/8 NPT	Elastic cushioning	Piston with magnet	730	1237	6280	1500	R452000780

Dimensions in mm



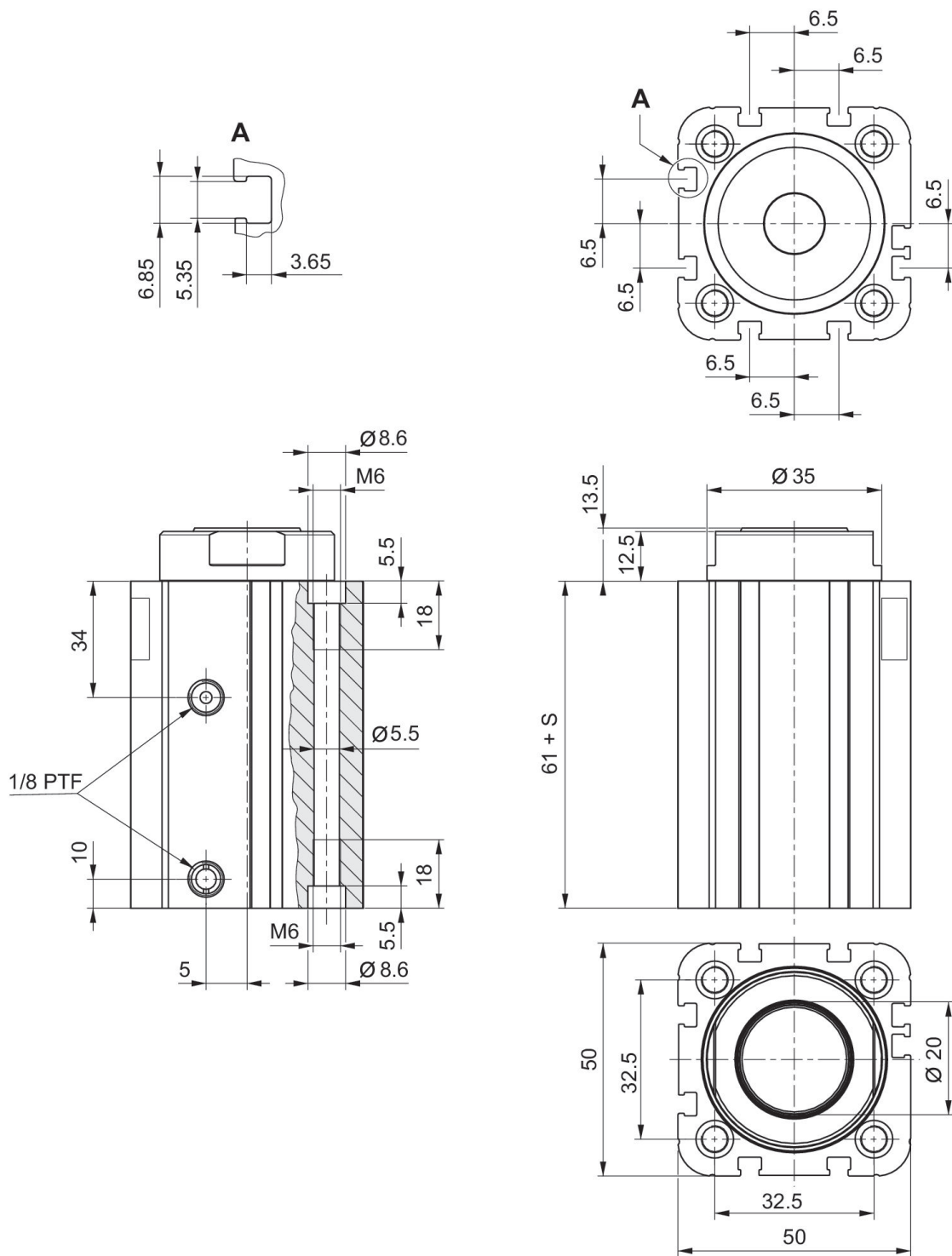
Compact cylinder, Series CCI-SC

double-acting with spring return,
extended without pressure
Axle pivot version



Piston Ø [mm]	Stroke [mm]	Ports	Cushioning	Magnet-ic piston	Retract-ing piston force [N]	Extract-ing piston force [N]	Max. per-missible radial bearing load [N]	Max. per-missible radial bearing load F during switching operation [N]	Part No.
32	15	1/8 NPT	Elastic cushioning	Piston with magnet	309	507	3270	570	R452000783
32	20	1/8 NPT	Elastic cushioning	Piston with magnet	309	507	3270	570	R452000786
32	25	1/8 NPT	Elastic cushioning	Piston with magnet	309	507	3270	570	R452000789

Dimensions in mm



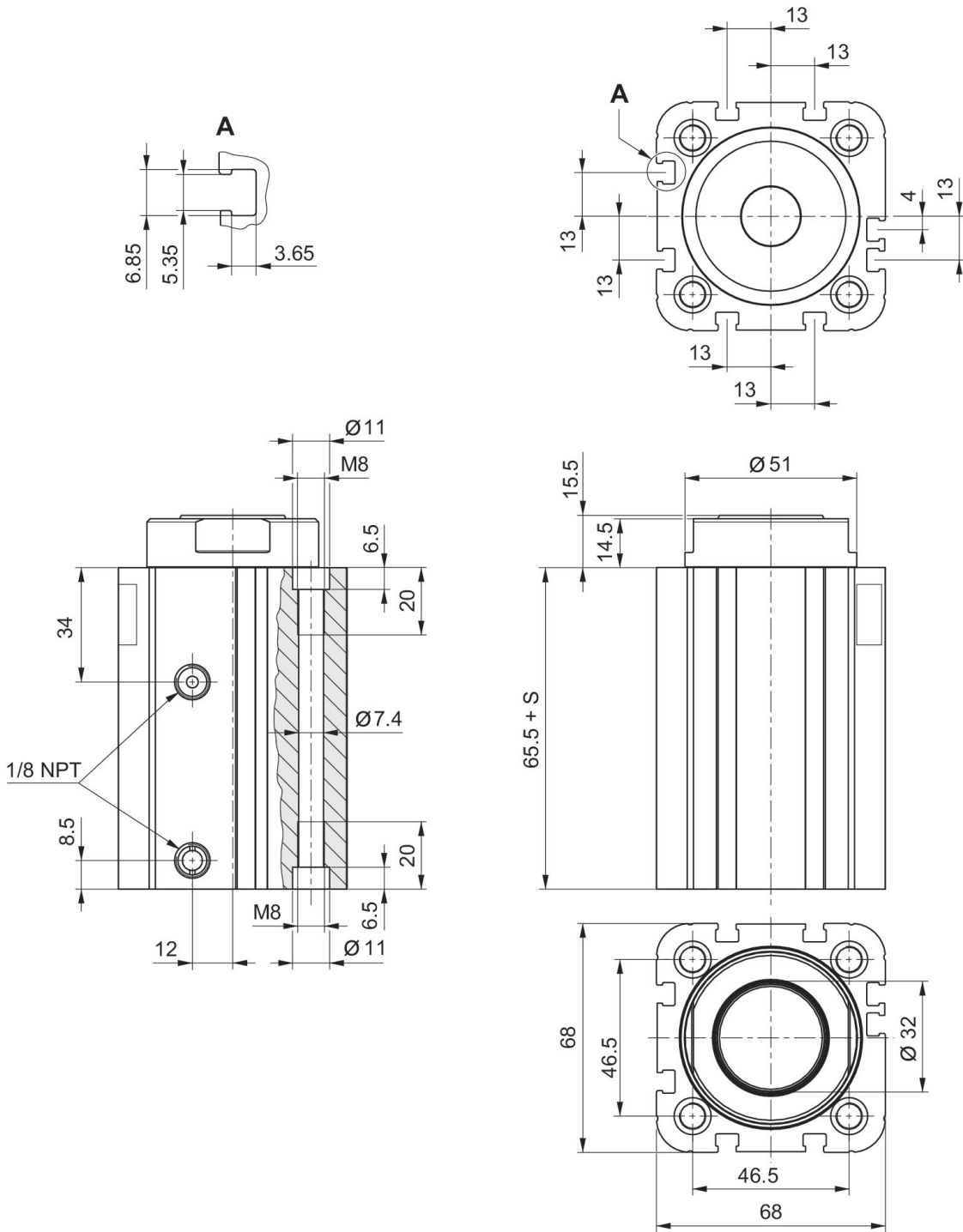
Compact cylinder, Series CCI-SC

double-acting with spring return,
extended without pressure
Axle pivot version



Piston Ø [mm]	Stroke [mm]	Ports	Cushioning	Magnet-ic piston	Retract-ing piston force [N]	Extract-ing piston force [N]	Max. per-missible radial bearing load [N]	Max. per-missible radial bearing load F during switching operation [N]	Part No.
50	20	1/8 NPT	Elastic cushioning	Piston with magnet	730	1237	6280	1500	R452000792
50	25	1/8 NPT	Elastic cushioning	Piston with magnet	730	1237	6280	1500	R452000795
50	30	1/8 NPT	Elastic cushioning	Piston with magnet	730	1237	6280	1500	R452000798

Dimensions in mm



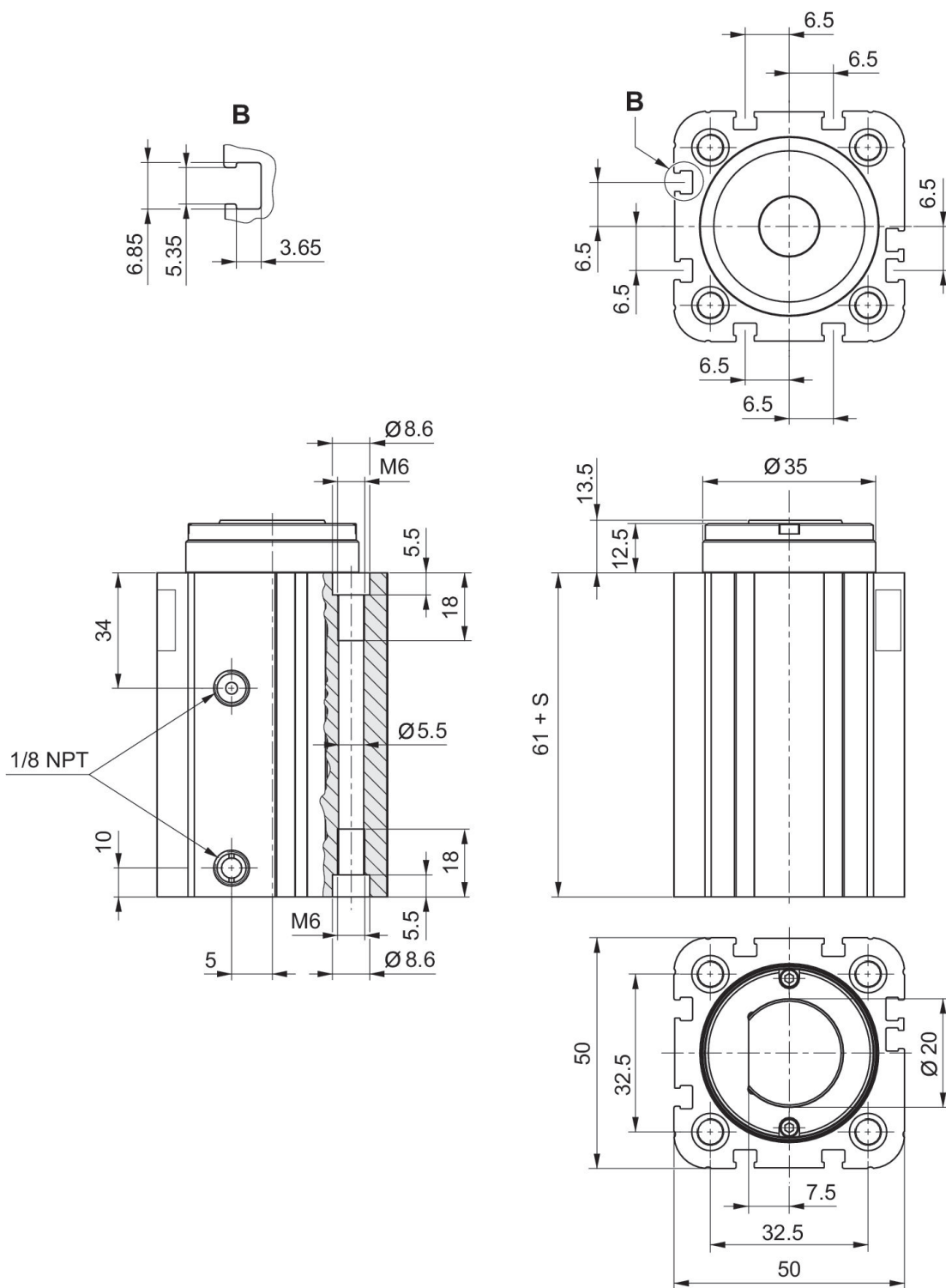
Compact cylinder, Series CCI-SC

Based on ISO 21287
Single-acting, extended without
pressure
Axle pivot version
non-rotating



Piston Ø [mm]	Stroke [mm]	Ports	Cushioning	Magnet-ic piston	Retract-ing pis-ton force [N]	Extract-ing pis-ton force [N]	Max. per-missible radial bear-ing load [N]	Max. per-missible radial bear-ing load F during switching operation [N]	Part No.
32	15	1/8 NPT	Elastic cushioning	Piston with magnet	309	507	3720	570	R452000748
32	20	1/8 NPT	Elastic cushioning	Piston with magnet	309	507	3720	570	R452000751
32	25	1/8 NPT	Elastic cushioning	Piston with magnet	309	507	3720	570	R452000754

Dimensions in mm



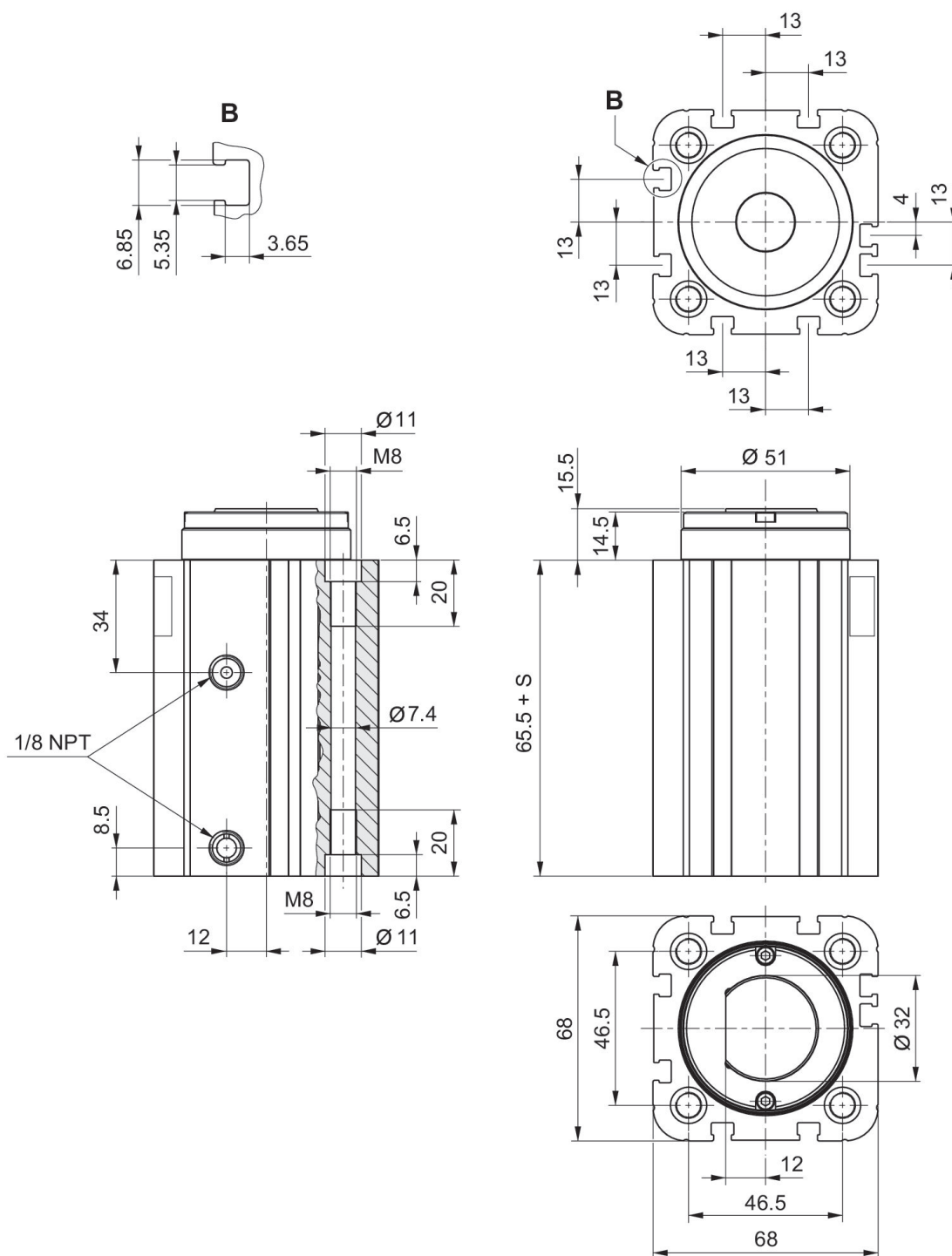
Compact cylinder, Series CCI-SC

Based on ISO 21287
Single-acting, extended without
pressure
Axle pivot version
non-rotating



Piston Ø [mm]	Stroke [mm]	Ports	Cushioning	Magnet-ic piston	Retract-ing pis-ton force [N]	Extract-ing pis-ton force [N]	Max. per-missible radial bear-ing load [N]	Max. per-missible radial bear-ing load F during switching operation [N]	Part No.
50	20	1/8 NPT	Elastic cushioning	Piston with magnet	730	1237	6280	1500	R452000757
50	25	1/8 NPT	Elastic cushioning	Piston with magnet	730	1237	6280	1500	R452000760
50	30	1/8 NPT	Elastic cushioning	Piston with magnet	730	1237	6280	1500	R452000763

Dimensions in mm



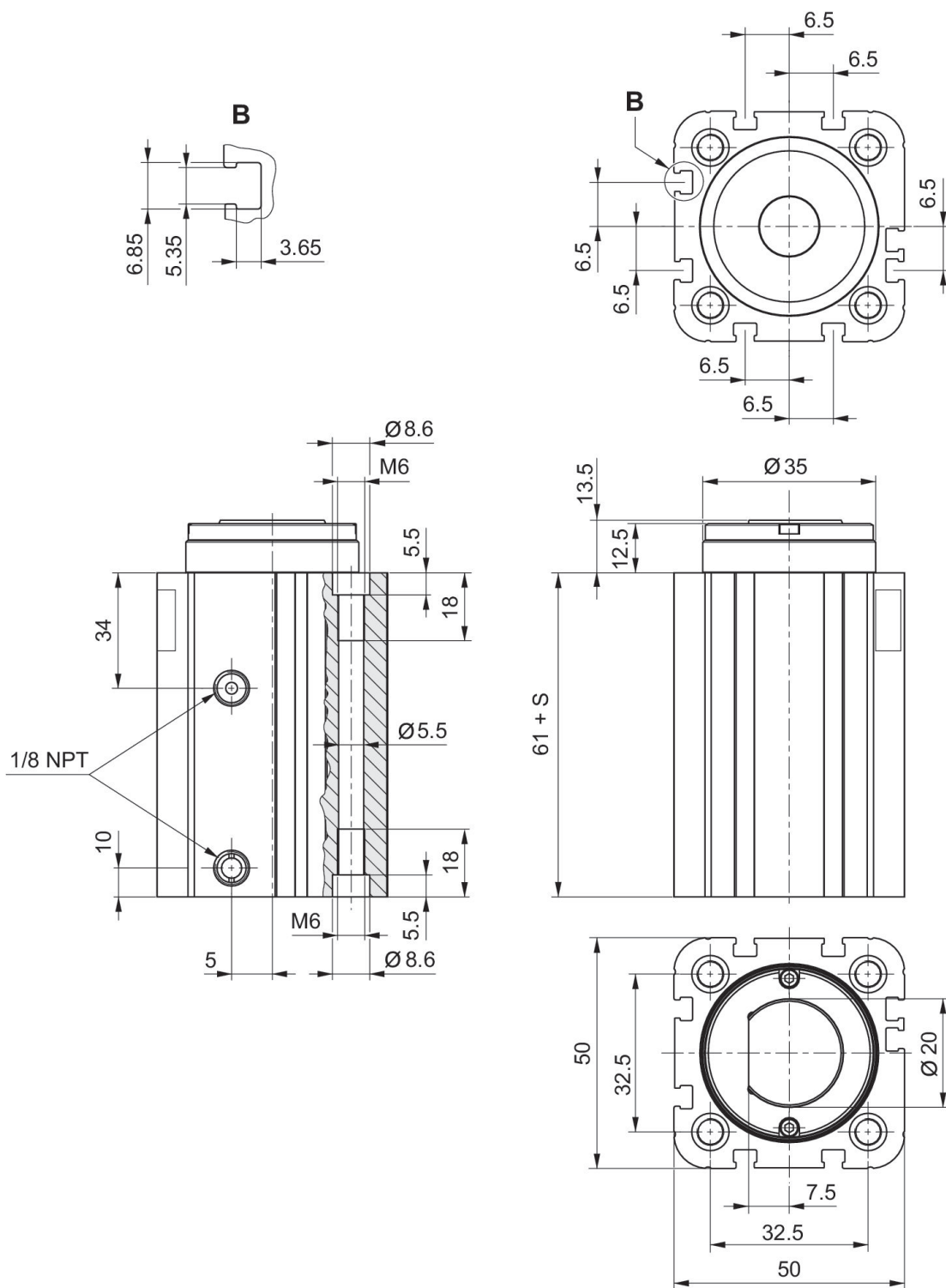
Compact cylinder, Series CCI-SC

Double-acting
Axle pivot version
non-rotating



Piston Ø [mm]	Stroke [mm]	Ports	Cushioning	Magnetic piston	Retracting piston force [N]	Extracting piston force [N]	Max. permissible radial bearing load [N]	Max. permissible radial bearing load F during switching operation [N]	Part No.
32	15	1/8 NPT	Elastic cushioning	Piston with magnet	309	507	3720	570	R452000766
32	20	1/8 NPT	Elastic cushioning	Piston with magnet	309	507	3720	570	R452000769
32	25	1/8 NPT	Elastic cushioning	Piston with magnet	309	507	3720	570	R452000772

Dimensions in mm



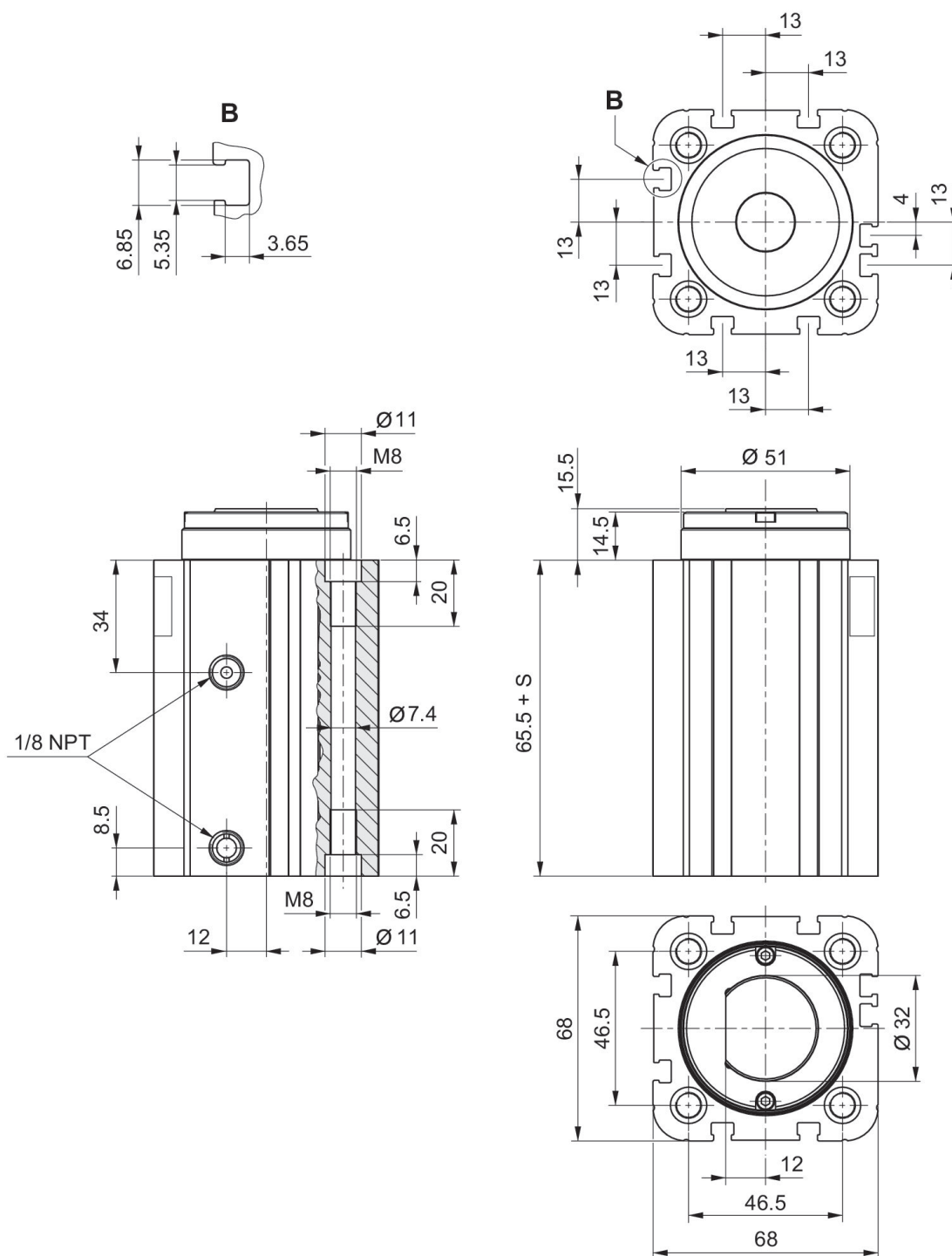
Compact cylinder, Series CCI-SC

Double-acting
Axle pivot version
non-rotating



Piston Ø [mm]	Stroke [mm]	Ports	Cushioning	Magnetic piston	Retracting piston force [N]	Extracting piston force [N]	Max. permissible radial bearing load [N]	Max. permissible radial bearing load F during switching operation [N]	Part No.
50	20	1/8 NPT	Elastic cushioning	Piston with magnet	730	1237	6280	1500	R452000775
50	25	1/8 NPT	Elastic cushioning	Piston with magnet	730	1237	6280	1500	R452000778
50	30	1/8 NPT	Elastic cushioning	Piston with magnet	730	1237	6280	1500	R452000781

Dimensions in mm



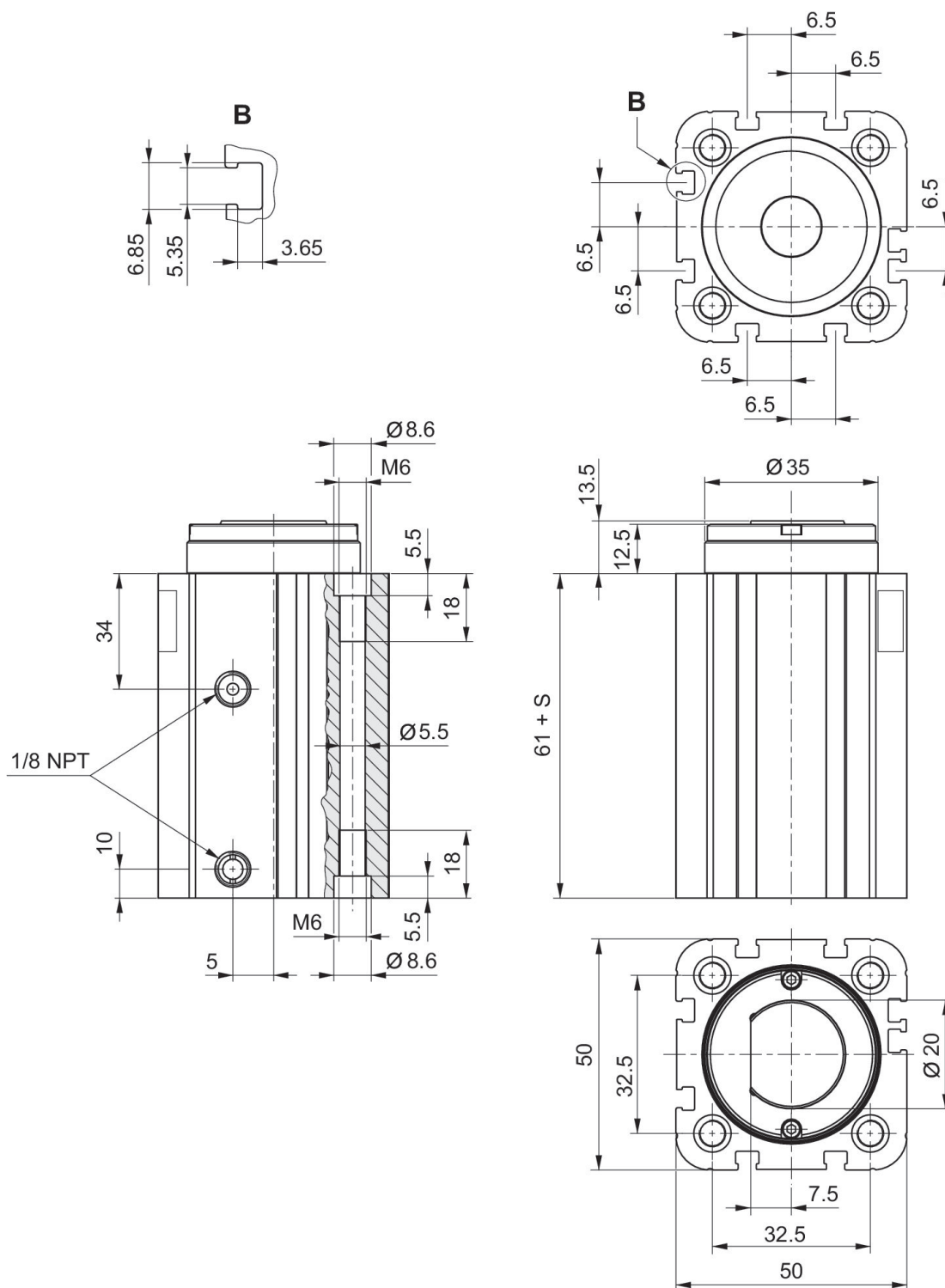
Compact cylinder, Series CCI-SC

double-acting with spring return,
extended without pressure
Axle pivot version
non-rotating



Piston Ø [mm]	Stroke [mm]	Ports	Cushioning	Magnet-ic piston	Retract-ing piston force [N]	Extract-ing piston force [N]	Max. per-missible radial bearing load [N]	Max. per-missible radial bearing load F during switching operation [N]	Part No.
32	15	1/8 NPT	Elastic cushioning	Piston with magnet	309	507	3720	570	R452000784
32	20	1/8 NPT	Elastic cushioning	Piston with magnet	309	507	3720	570	R452000787
32	25	1/8 NPT	Elastic cushioning	Piston with magnet	309	507	3720	570	R452000790

Dimensions in mm



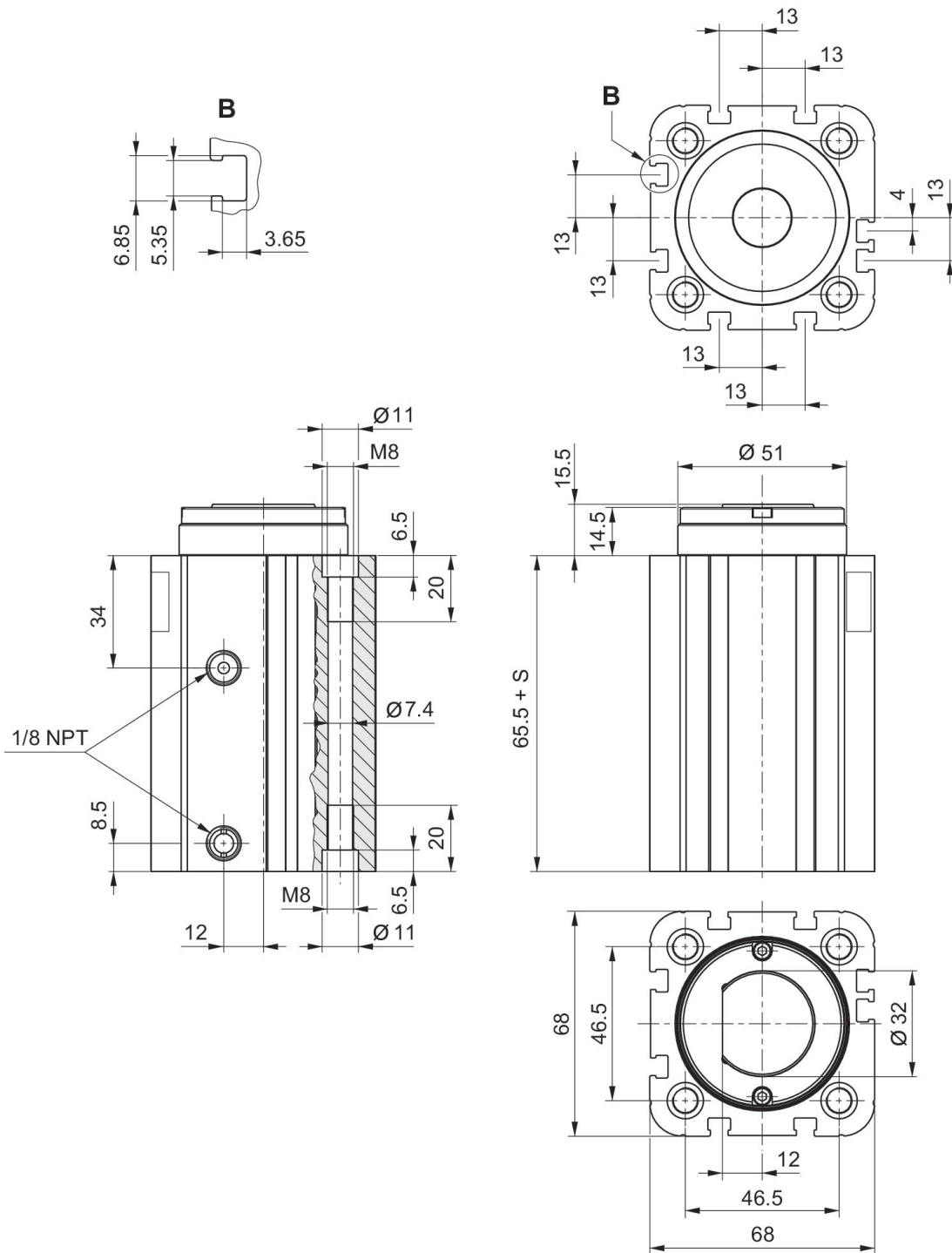
Compact cylinder, Series CCI-SC

double-acting with spring return,
extended without pressure
Axle pivot version
non-rotating



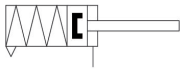
Piston Ø [mm]	Stroke [mm]	Ports	Cushioning	Magnet-ic piston	Retract-ing piston force [N]	Extract-ing piston force [N]	Max. per-missible radial bearing load [N]	Max. per-missible radial bearing load F during switching operation [N]	Part No.
50	20	1/8 NPT	Elastic cushioning	Piston with magnet	730	1237	6280	1500	R452000793
50	25	1/8 NPT	Elastic cushioning	Piston with magnet	730	1237	6280	1500	R452000796
50	30	1/8 NPT	Elastic cushioning	Piston with magnet	730	1237	6280	1500	R452000799

Dimensions in mm



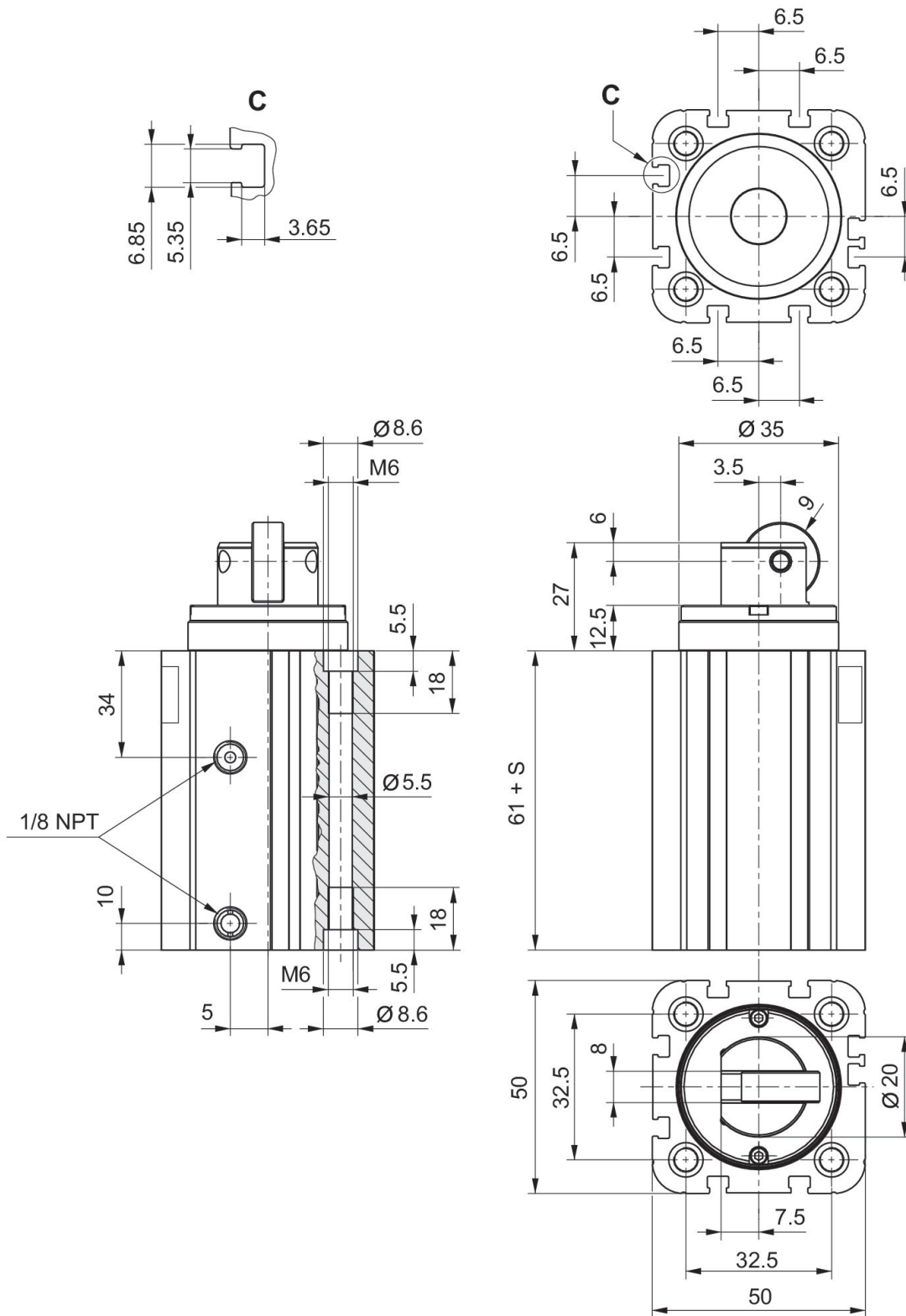
Compact cylinder, Series CCI-SC

Based on ISO 21287
Single-acting, extended without
pressure
Roller version
non-rotating



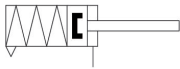
Piston Ø [mm]	Stroke [mm]	Ports	Cushioning	Magnet-ic piston	Retract-ing piston force [N]	Extract-ing piston force [N]	Max. per-missible radial bearing load [N]	Max. per-missible radial bearing load F during switching operation [N]	Part No.
32	15	1/8 NPT	Elastic cushioning	Piston with magnet	309	507	2670	420	R452000749
32	20	1/8 NPT	Elastic cushioning	Piston with magnet	309	507	2670	420	R452000752
32	25	1/8 NPT	Elastic cushioning	Piston with magnet	309	507	2670	420	R452000755

Dimensions in mm



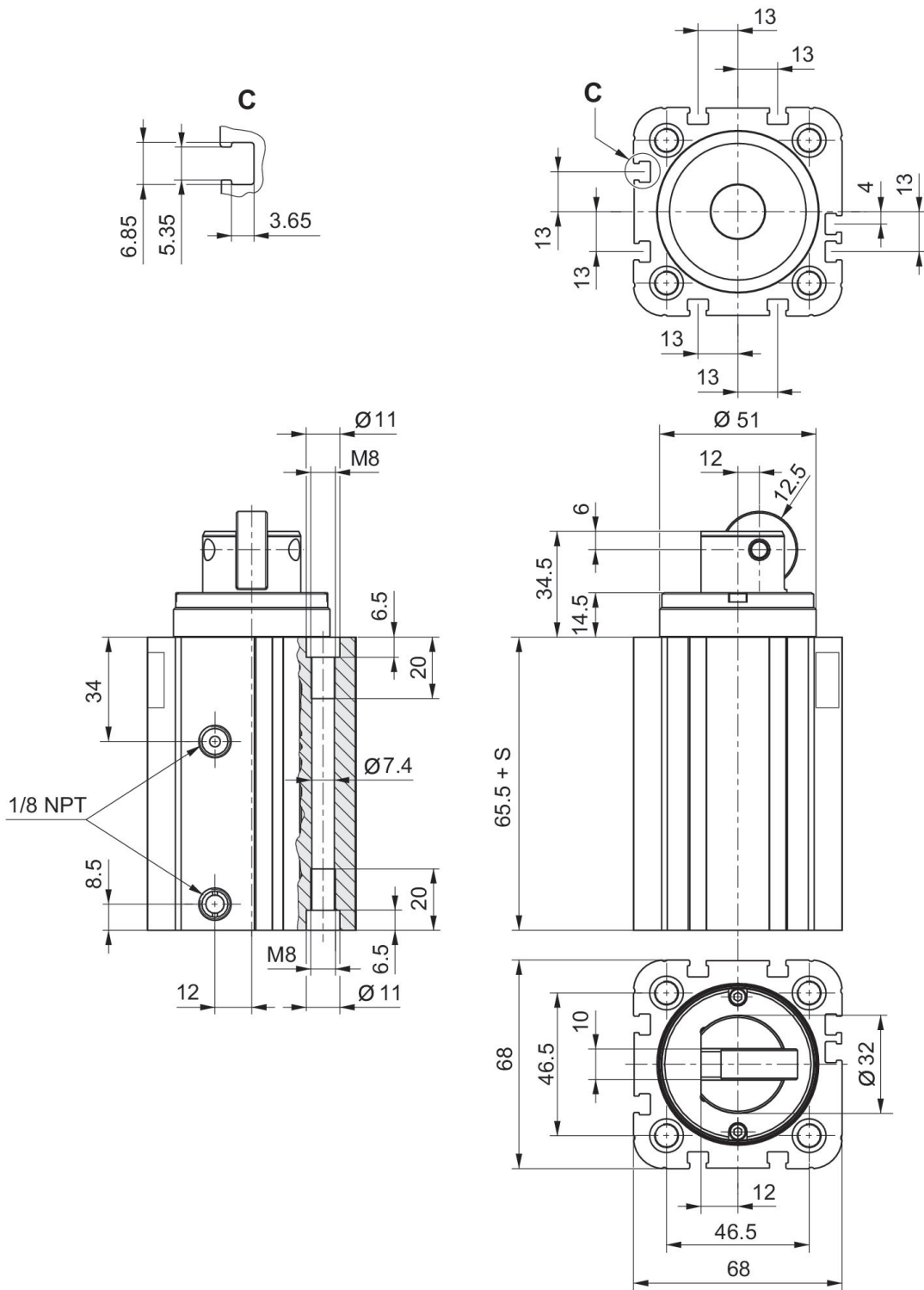
Compact cylinder, Series CCI-SC

Based on ISO 21287
Single-acting, extended without
pressure
Roller version
non-rotating



Piston Ø [mm]	Stroke [mm]	Ports	Cushioning	Magnet-ic piston	Retract-ing piston force [N]	Extract-ing piston force [N]	Max. per-missible radial bearing load [N]	Max. per-missible radial bearing load F during switching operation [N]	Part No.
50	20	1/8 NPT	Elastic cushioning	Piston with magnet	730	1237	5000	1200	R452000758
50	25	1/8 NPT	Elastic cushioning	Piston with magnet	730	1237	5000	1200	R452000761
50	30	1/8 NPT	Elastic cushioning	Piston with magnet	730	1237	5000	1200	R452000764

Dimensions in mm



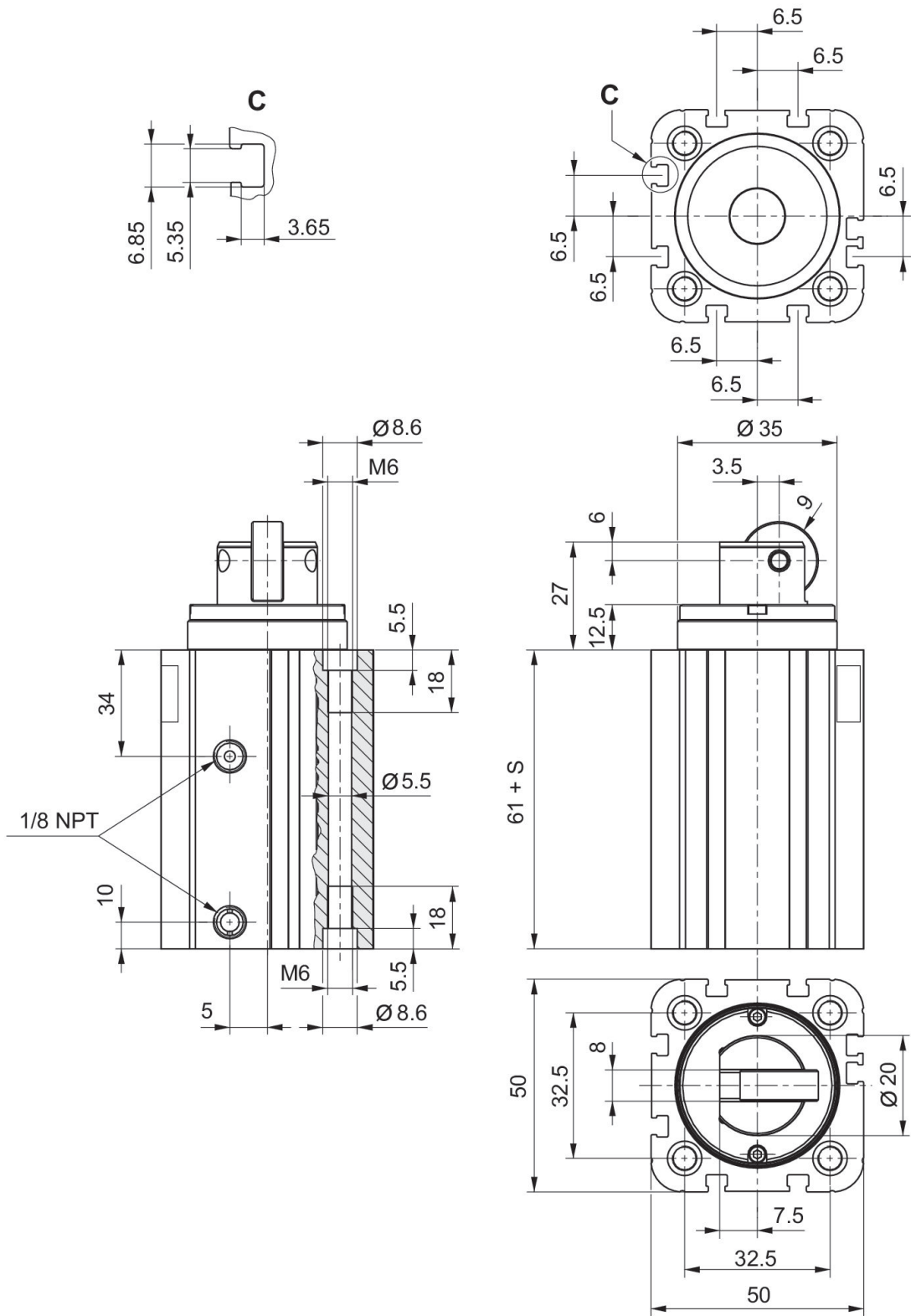
Compact cylinder, Series CCI-SC

Double-acting
Roller version
non-rotating



Piston Ø [mm]	Stroke [mm]	Ports	Cushioning	Magnet-ic piston	Retract-ing piston force [N]	Extract-ing piston force [N]	Max. per-missible radial bearing load [N]	Max. per-missible radial bearing load F during switching operation [N]	Part No.
32	15	1/8 NPT	Elastic cushioning	Piston with magnet	309	507	2670	420	R452000767
32	20	1/8 NPT	Elastic cushioning	Piston with magnet	309	507	2670	420	R452000770
32	25	1/8 NPT	Elastic cushioning	Piston with magnet	309	507	2670	420	R452000773

Dimensions in mm



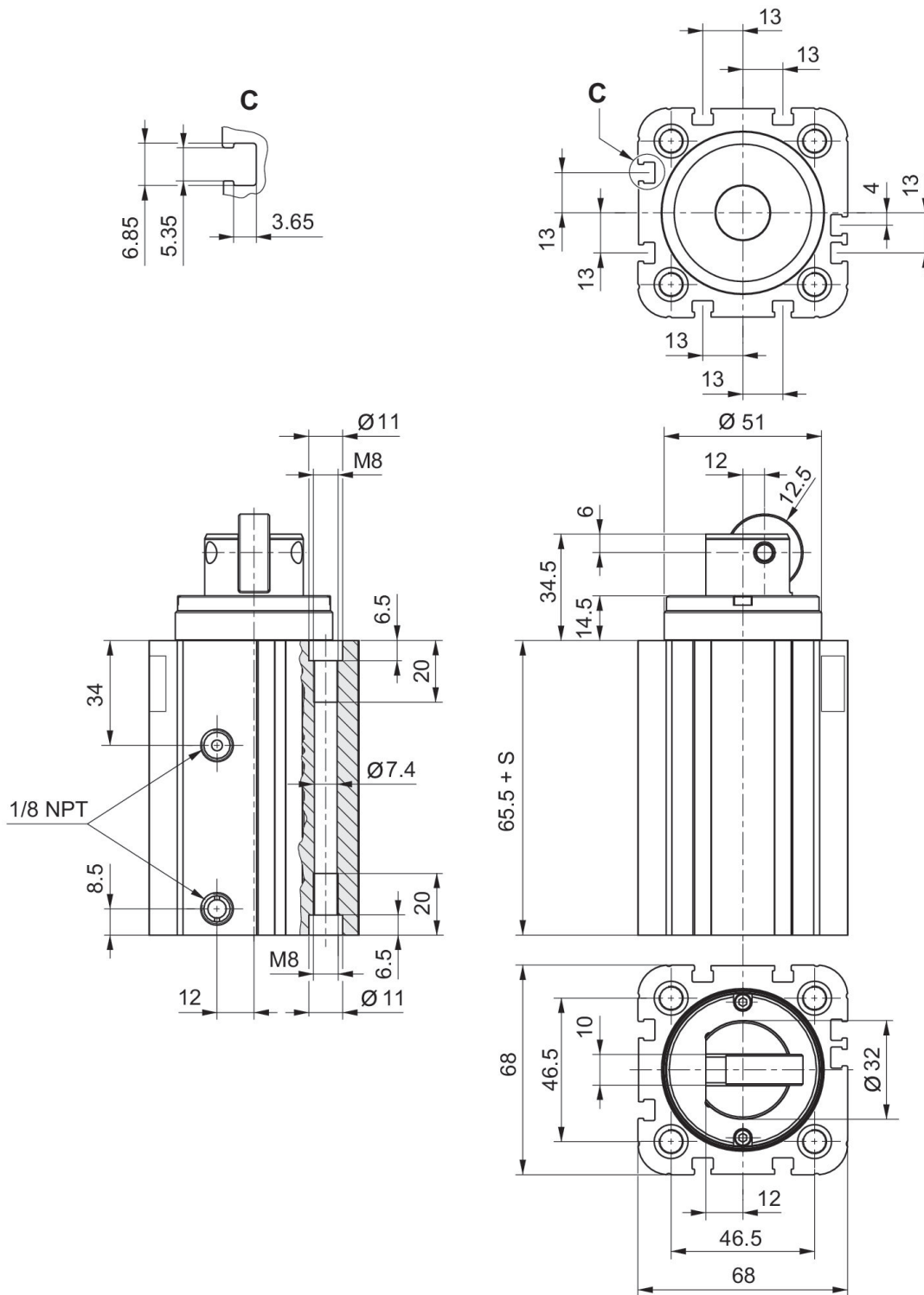
Compact cylinder, Series CCI-SC

Double-acting
Roller version
non-rotating



Piston Ø [mm]	Stroke [mm]	Ports	Cushioning	Magnet-ic piston	Retract-ing piston force [N]	Extract-ing piston force [N]	Max. per-missible radial bearing load [N]	Max. per-missible radial bearing load F during switching operation [N]	Part No.
50	20	1/8 NPT	Elastic cushioning	Piston with magnet	730	1237	5000	1200	R452000776
50	25	1/8 NPT	Elastic cushioning	Piston with magnet	730	1237	5000	1200	R452000779
50	30	1/8 NPT	Elastic cushioning	Piston with magnet	730	1237	5000	1200	R452000782

Dimensions in mm



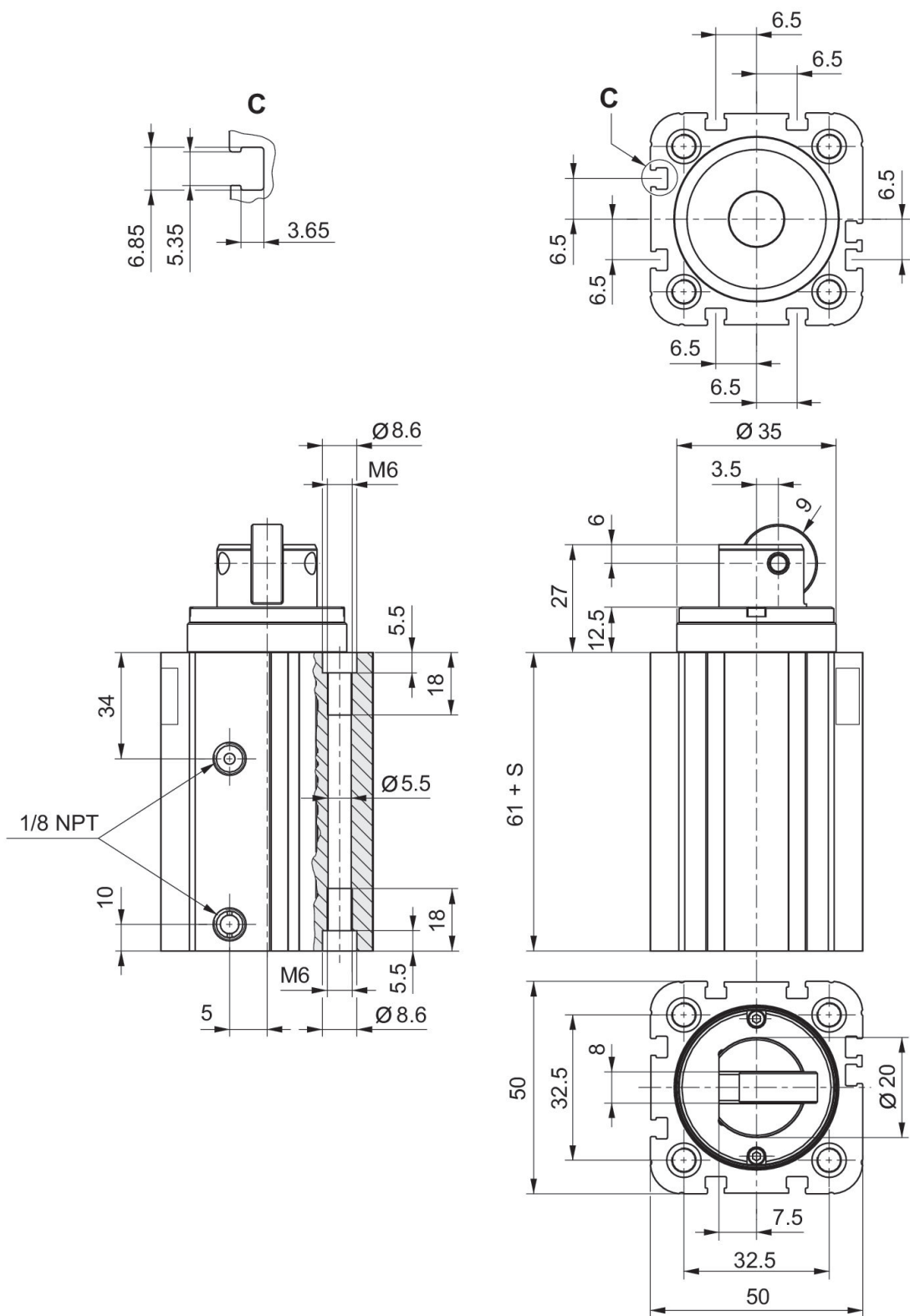
Compact cylinder, Series CCI-SC

double-acting with spring return,
extended without pressure
Roller version
non-rotating



Piston Ø [mm]	Stroke [mm]	Ports	Cushioning	Magnet-ic piston	Retract-ing piston force [N]	Extract-ing piston force [N]	Max. per-missible radial bearing load [N]	Max. per-missible radial bearing load F during switching operation [N]	Part No.
32	15	1/8 NPT	Elastic cushioning	Piston with magnet	309	507	2670	420	R452000785
32	20	1/8 NPT	Elastic cushioning	Piston with magnet	309	507	2670	420	R452000788
32	25	1/8 NPT	Elastic cushioning	Piston with magnet	309	507	2670	420	R452000791

Dimensions in mm



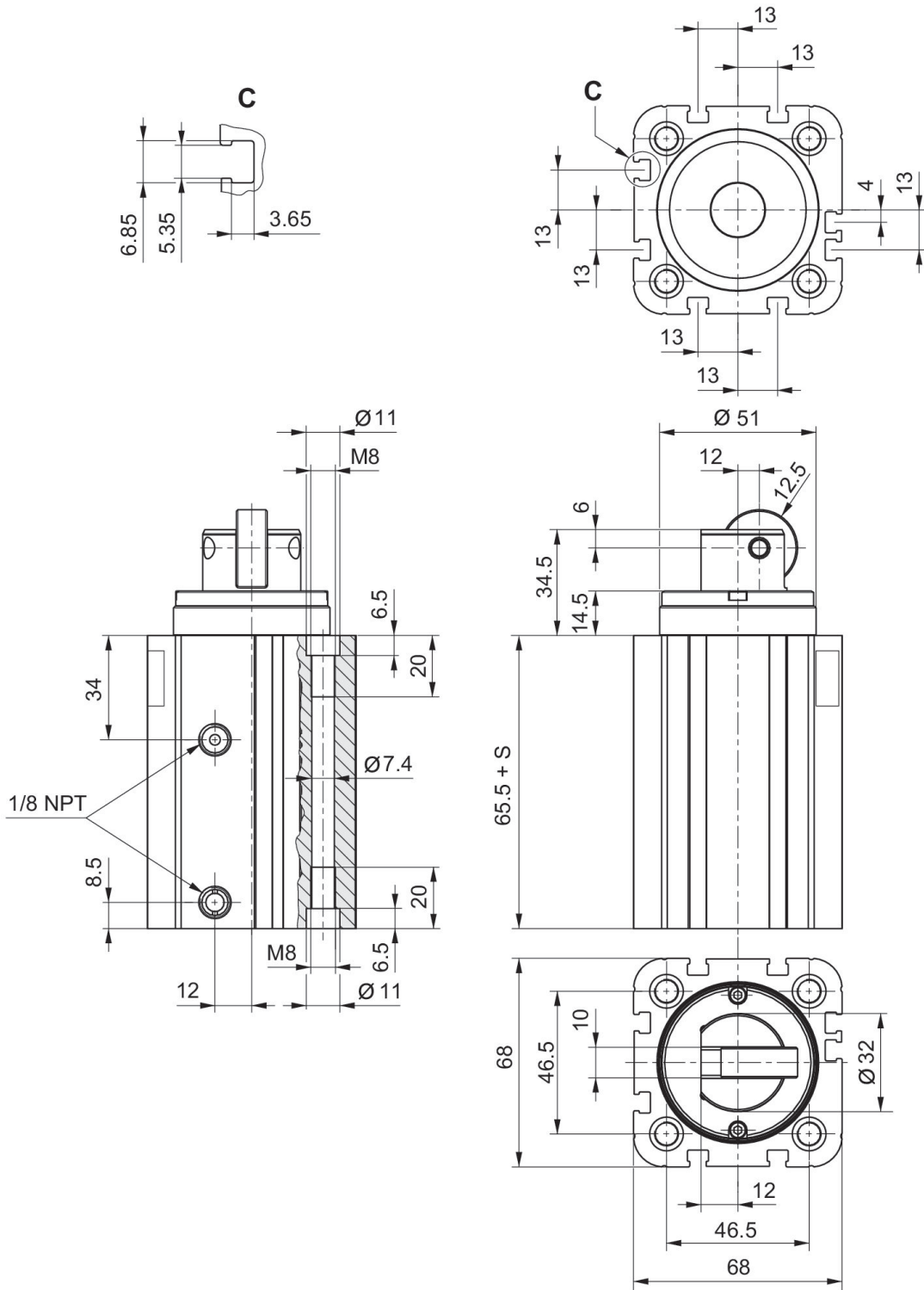
Compact cylinder, Series CCI-SC

double-acting with spring return,
extended without pressure
Roller version
non-rotating



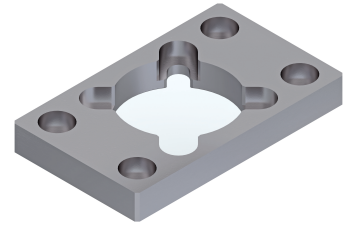
Piston Ø [mm]	Stroke [mm]	Ports	Cushioning	Magnet-ic piston	Retract-ing piston force [N]	Extract-ing piston force [N]	Max. per-missible radial bearing load [N]	Max. per-missible radial bearing load F during switching operation [N]	Part No.
50	20	1/8 NPT	Elastic cushioning	Piston with magnet	730	1237	5000	1200	R452000794
50	25	1/8 NPT	Elastic cushioning	Piston with magnet	730	1237	5000	1200	R452000797
50	30	1/8 NPT	Elastic cushioning	Piston with magnet	730	1237	5000	1200	R452000800

Dimensions in mm



Flange mounting MF1, MF2, Series CM1

CCI-SC



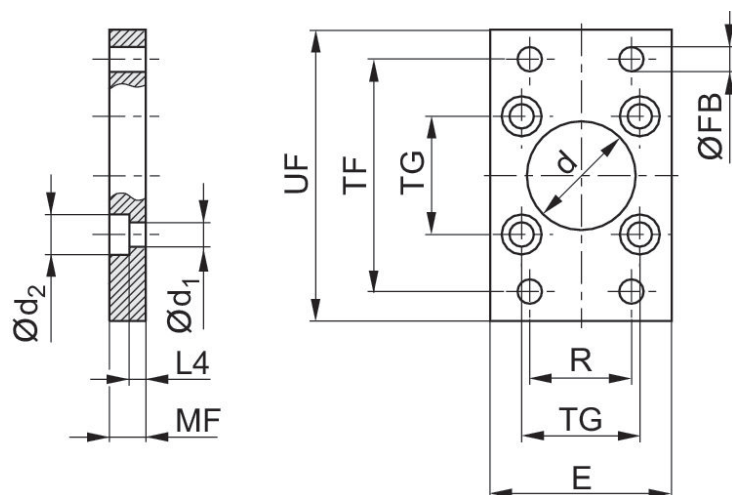
Suitable piston Ø [mm]	Material	Part No.
32	Steel, chrome-plated	R452000828
50	Steel, chrome-plated	R452000829

Flange mounting MF1, MF2, Series CM1

ISO 15552



Suitable piston Ø [mm]	Material	Part No.
32	Steel, chrome-plated	1827001277
50	Steel, chrome-plated	1827001279



Piston Ø	Part No.	Ød H11	Ød1	Ød2	E max.	ØFB	L4	MF	R	TF
32	1827001277	30	6.6	11	50	7	4.5	10	32	64
40	1827001278	35	6.6	11	55	9	4.5	10	36	72
50	1827001279	40	9	15	65	9	6	12	45	90
63	1827001499	45	9	15	75	9	6	12	50	100
80	1827001281	45	11	18	100	12	9	16	63	126
100	1827001282	55	11	18	120	14	9	16	75	150
125	1827004861	60	14	20	140	16	10.5	20	90	180
160	1827001460	65	18	26	180	18	9.5	20	115	230
200	1827001461	75	18	26	220	22	12.5	25	135	270
250	1827001462	90	22	33	280	26	10.5	25	165	330
320	5239016012	110	26	40	350	33	15	30	200	270

Piston Ø	TG	UF
32	32,5 ±0,2	80

Piston Ø	TG	UF
40	38 ±0,2	90
50	46,5 ±0,2	110
63	56,5 ±0,2	125
80	72 ±0,2	154
100	89 ±0,2	186
125	110 ±0,3	220
160	140 ±0,3	275
200	175 ±0,3	312
250	220 ±0,3	380
320	270 ±0,3	400

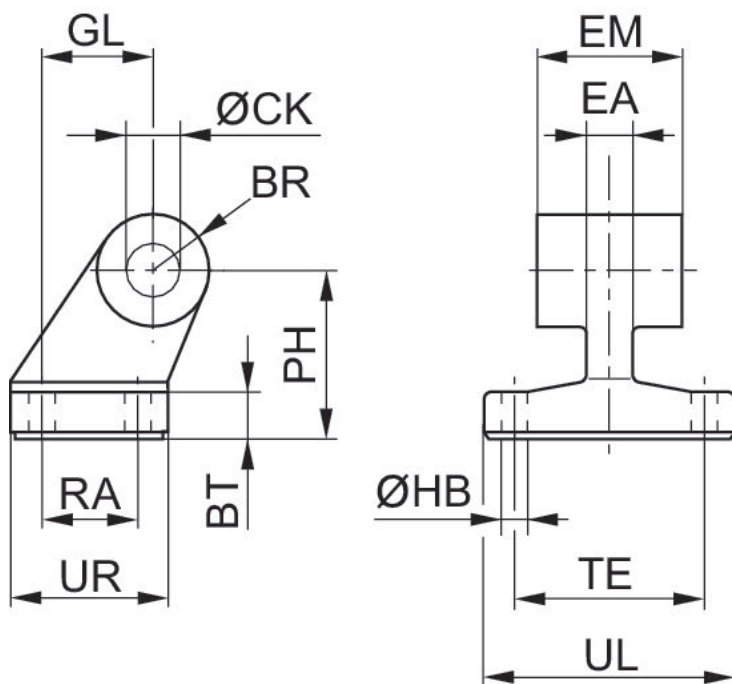
Bearing block AB7-HD, Series CM1

ISO 15552



Suitable piston Ø [mm]	Swivel bearing Ø [mm]	Material	Part No.
32	10	Nodular graphite iron	1825805275
50	12	Nodular graphite iron	1825805277

Dimensions



Part No.	Piston Ø	BR	BT	Ø CK H9	Ø HB H13	EM	GL JS14	EA max.	PH JS15	RA JS14
1825805275	32	10	8	10	6.6	26 -0,2/-0,6	21	10	32	18
1825805276	40	11	10	12	6.6	28 -0,2/-0,6	24	12	36	22
1825805277	50	13	12	12	9	32 -0,2/-0,6	33	16	45	30
1825805278	63	15	12	16	9	40 -0,2/-0,6	37	16	50	35
1825805279	80	15	14	16	11	50 -0,2/-0,6	47	20	63	40
1825805280	100	19	15	20	11	60 -0,2/-0,6	55	20	71	50
1825805281	125	22,5	20	25	14	70 -0,5/-1,5	70	30	90	60
1825805282	160	31.5	25	30	14	90 -0,5/-1,5	97	36	115	88

Part No.	Piston Ø	BR	BT	Ø CK H9	Ø HB H13	EM	GL JS14	EA max.	PH JS15	RA JS14
1825805283	200	31.5	30	30	18	90 -0,5/-1,5	105	40	135	90
1825805284	250	40	35	40	22	110 -0,5/-1,5	128	45	165	110
5239013422	320	45	40	45	26	120 -0,5/-1,5	150	55	200	122

Part No.	TE JS14	UL max.	UR max.
1825805275	38	51	31
1825805276	41	54	35
1825805277	50	65	45
1825805278	52	67	50
1825805279	66	86	60
1825805280	76	96	70
1825805281	94	124	90
1825805282	118	156	126
1825805283	122	162	130
1825805284	150	200	160
5239013422	170	234	186

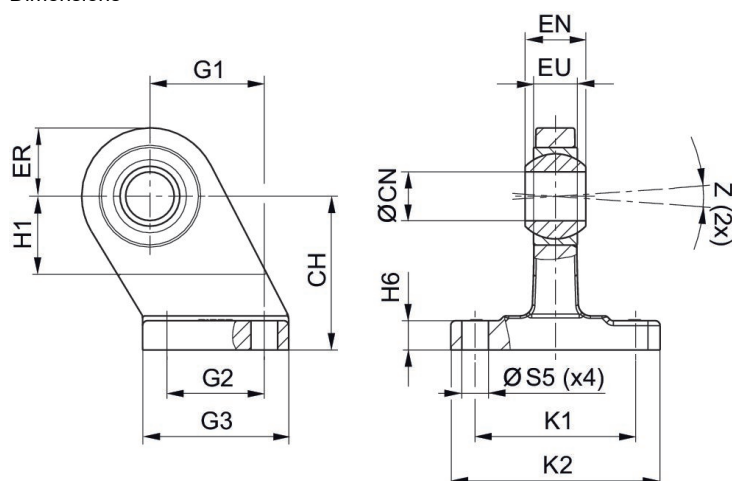
Bearing block CS7, Series CM1

VDMA 24562 part 2



Suitable piston Ø [mm]	Swivel bearing Ø [mm]	Material	Part No.
32	10	Nodular graphite iron	1827001784
50	16	Nodular graphite iron	1827001786

Dimensions



Piston Ø	Part No.	CH JS15	ØCN H7	EU max.	EN -1,0	ER max.	G1 JS14	G2 JS14	G3 max.	H1 min.
32	1827001784	32	10	10.5	14	16	21	18	31	16
40	1827001785	36	12	12	16	18	24	22	35	20
50	1827001786	45	16	15	21	21	33	30	45	22
63	1827001787	50	16	15	21	23	37	35	50	27
80	1827001788	63	20	18	25	28	47	40	60	31
100	1827001789	71	20	18	25	30	55	50	70	38
125	1827001790	90	30	25	37	40	70	60	90	40
160	1827001791	115	35	28	43	44	97	88	126	45
200	1827001792	135	35	28	43	47	105	90	130	45
250	1827001793	165	40	33	49	53	128	110	160	50
320	5239013442	200	50	45	60	63	150	122	186	60

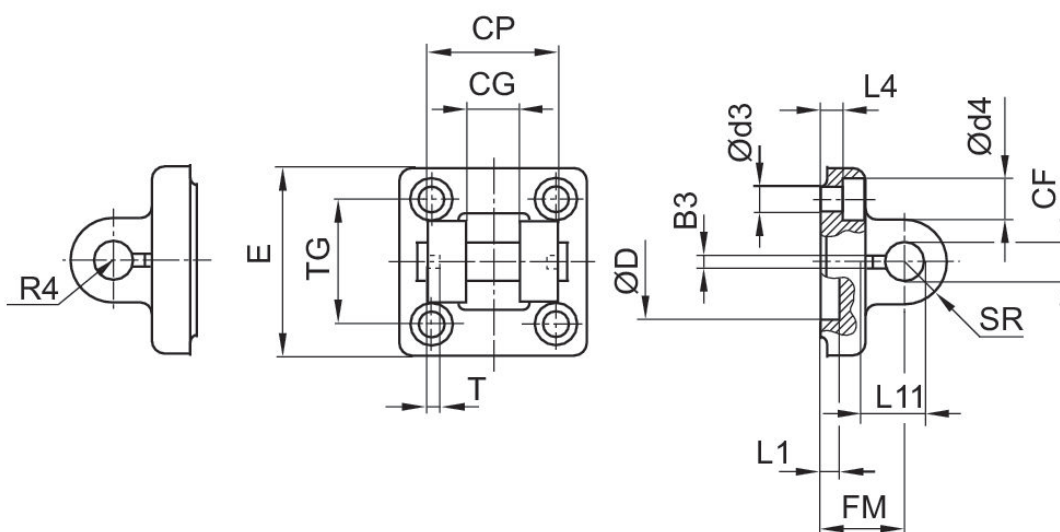
Piston Ø	H6	K1 JS14	K2 max.	ØS5 H13	Z min.
32	9 ±1	38	51	6.6	4°
40	9 ±1	41	54	6.6	4°
50	11 ±1	50	65	9	4°
63	11 ±1	52	67	9	4°
80	12 ±1,5	66	86	11	4°
100	13 ±1,5	76	96	11	4°
125	17 ±1,5	94	124	14	4°
160	22 ±1,5	118	156	14	4°
200	27 ±2	122	162	18	4°
250	31 ±2	150	200	22	4°
320	36 ±2	170	234	26	4°

Clevis mounting AB6, Series CM1

ISO 15552



Suitable piston Ø [mm]	Swivel bearing Ø [mm]	Material	Part No.
32	10	Aluminum	1827001593
50	16	Aluminum	1827001595



Piston Ø	Part No.	B3 ±0,2	Ø CF F7	CG D10	CP d12	Ø d3	Ø d4	Ø D	E	FM ±0,2
32	1827001593	3.3	10	14	34	6.6	11	30	46	22
40	1827001594	4.3	12	16	40	6.6	11	35	52	25
50	1827001595	4.3	16	21	45	9	15	40	64	27
63	1827002024	4.3	16	21	51	9	15	45	74	32
80	1827001597	4.3	20	25	65	11	18	45	94	36
100	1827001598	4.3	20	25	75	11	18	55	113	41
125	1827001599	6.3	30	37	97	14	20	60	138	50
160	1827001600	6.3	35	43	122	18	26	65	180	55

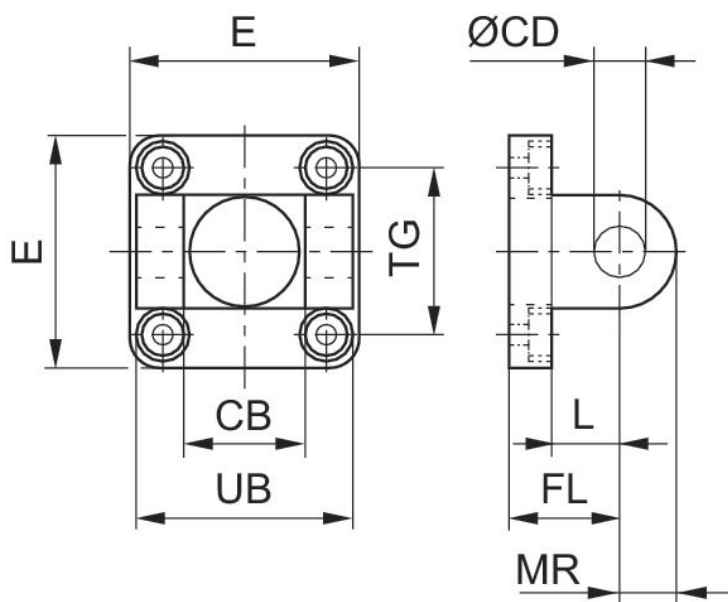
Piston Ø	Part No.	B3 ±0,2	Ø CF F7	CG D10	CP d12	Ø d3	Ø d4	Ø D	E	FM ±0,2
200	1827001601	6.3	35	43	122	18	26	75	220	60
250	1827001602	8.3	40	49	125	22	33	90	280	70
320	5239013432	8.3	50	60	150	26	36	110	340	80

Piston Ø	L1 min.	L4 ±0,5	L11 -0,5	R4	SR	T ±0,2	TG
32	4.5	5.5	16.5	17	10	3	32,5 ±0,2
40	4.5	5.5	18	20	12	4	38 ±0,2
50	4.5	6.5	23	22	15	4	46,5 ±0,2
63	4.5	6.5	23	25	15	4	56,5 ±0,2
80	4.5	10	27	30	20	4	72 ±0,2
100	4.5	10	27	32	20	4	89 ±0,2
125	7	10	40	42	26	6	110 ±0,3
160	10	10	45	46	32.5	6	140 ±0,3
200	10	11	45	49	32.5	6	175 ±0,3
250	12	11	53	55	40	8	220 ±0,3
320	11	15	69	65	50	8	270 ±0,3

Clevis mounting MP2-HD, Series CM1

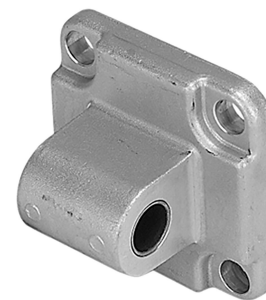


Suitable piston Ø [mm]	Swivel bearing Ø [mm]	Material	Part No.
32	10	Aluminum	1827001289
50	12	Aluminum	1827001291

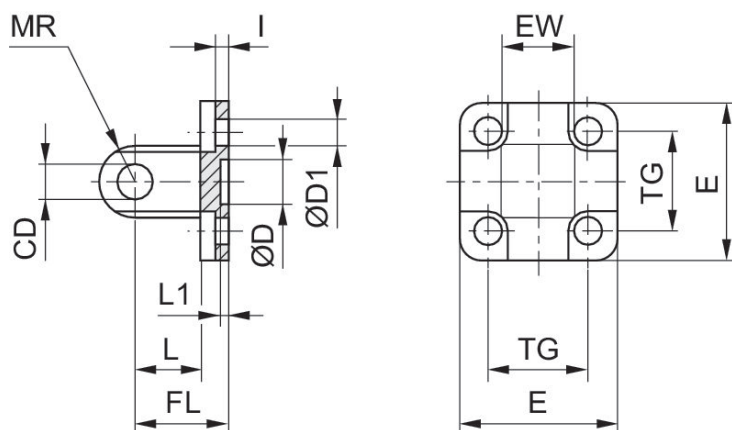


Piston Ø	Part No.	CB H14	Ø CD H9	E	FL ±0.2	L min.	MR max.	UB h13	TG
32	1827001289	26	10	47.5	22	12	10	45	32.5 ±0.2
40	1827001290	28	12	53.5	25	15	13	52	38 ±0.2
50	1827001291	32	12	64	27	15	13	60	46.5 ±0.2
63	1827001500	40	16	74	32	18	17	70	56.5 ±0.2
80	1827001293	50	16	94	36	20	17	90	72.0 ±0.2
100	1827001294	60	20	113.5	41	25	18	110	89.0 ±0.2
125	1827004862	70	25	138	50	30	26	130	110 ±0.3
160	1827004863	90	30	180	55	35	31	170	140 ±0.3
200	1827004864	90	30	220	60	35	31	170	175 ±0.3
250	1827004865	110	40	280	70	45	41	200	220 ±0.3
320	5239813402	120	45	350	80	50	45	220	270 ±0.3

Rear eye MP4-HD, Series CM1



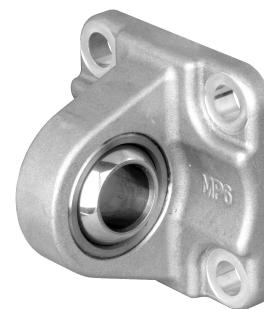
Piston diameter [mm]	Swivel bearing Ø [mm]	Standardization	Material	Part No.
32	10	ISO 15552	Aluminum	1827001283
50	12	ISO 15552	Aluminum	1827001285



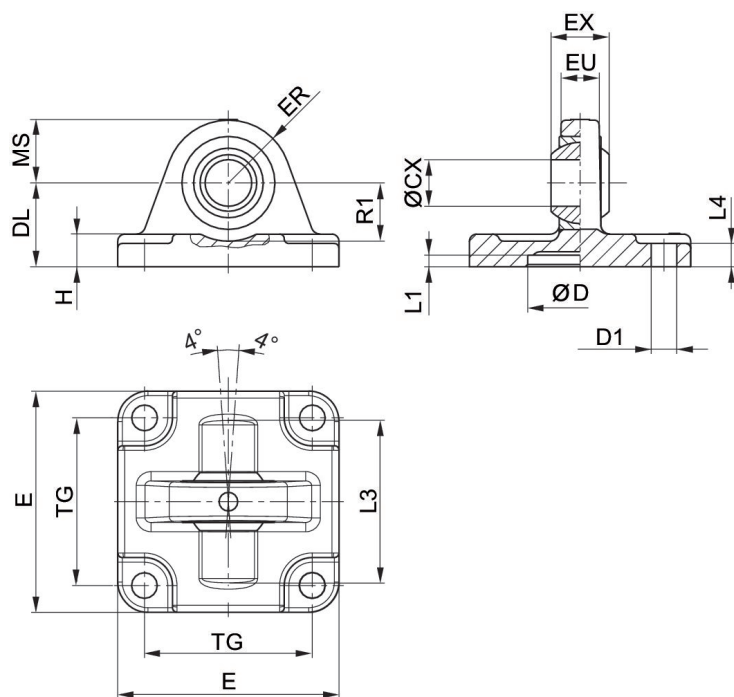
Piston Ø	Part No.	CD H9	Ø D	Ø D1	E	EW	FL ±0,2	I ±0,5	L min.	L1 min.
16	1825805368	6	10 H13	4.5	27	12 -0.2/-0.6	16	2.6	10	3
20	1827002300	8	12 H13	5.5	34	16 -0.2/-0.6	20	2.6	14	3
25	1827002301	8	12 H13	5.5	40	16 -0.2/-0.6	20	2.6	14	3
32	1827001283	10	30 H11	6.6	47.5	26 -0.2/-0.6	22	5.5	12	4.5
40	1827001284	12	35 H11	6.6	53.5	28 -0.2/-0.6	25	5.5	15	4.5
50	1827001285	12	40 H11	9	64	32 -0.2/-0.6	27	6.5	15	4.5
63	1827020086	16	45 H11	9	74	40 -0.2/-0.6	32	6.5	20	4.5
80	1827001287	16	45 H11	11	94	50 -0.2/-0.6	36	10	20	4.5
100	1827001288	20	55 H11	11	113.5	60 -0.2/-0.6	41	10	25	4.5
125	1827004866	25	60 H11	14	138	70 -0.5/-1.2	50	10	30	7
160	1827004867	30	65 H11	18	180	90 -0.5/-1.2	55	10	35	7
200	1827004868	30	75 H11	18	220	90 -0.5/-1.2	60	11	35	7
250	1827004869	40	90 H11	22	280	110 -0.5/-1.2	70	11	45	11
320	5239813412	45	110 H11	26	350	120 -0.5/-1.2	80	15	50	11

Piston Ø	MR max.	TG
16	6	18 ±0.2
20	8	22 ±0.4
25	8	26 ±0.4
32	10	32.5 ±0.2
40	12	38 ±0.2
50	12	46.5 ±0.2
63	16	56.5 ±0.2
80	16	72 ±0.2
100	20	89 ±0.2
125	26	110 ±0.3
160	31	140 ±0.3
200	31	175 ±0.3
250	41	220 ±0.3
320	45	270 ±0.3

Rear eye MP6, Series CM1



Piston diameter [mm]	Swivel bearing Ø [mm]	Standardization	Material	Part No.
32	10	ISO 15552	Aluminum (forged)	1827001619
50	16	ISO 15552	Aluminum (forged)	1827001621



Scope of delivery: clevis incl. mounting screws

Piston Ø	Part No.	ØCX H7	ØD H11	ØD1 H13	DL ±0,2	E	EX -0,1	ER	EU	H
25	3663602000	10	18	5,5	20	40	9	14	8	6
32	3663603000	10	20	5,5	22	46	9	15	8	6
40	3663604000	12	30	6,6	28	55	12	17	9,5	8
52,5	3663605000	12	40	6,6	28	62	12	17	9,5	9
63	5220163442	10	-	7,5	29	45	14	15	10,5	8
75	3663606000	16	55	9	36	80	16	25	12,5	11
80	5220363442	12	-	10	26	65	16	18	12	10
80	3663608000	16	70	9	38	94	16	28	12,5	12

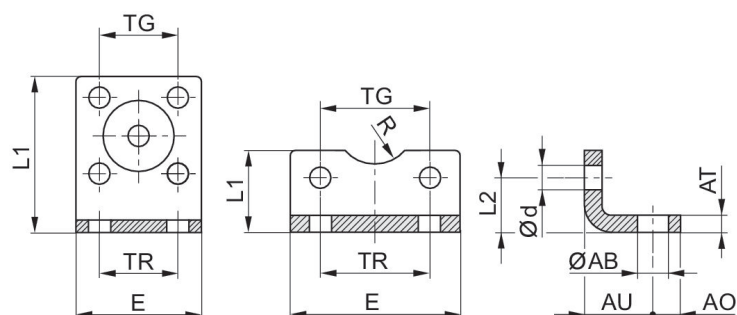
Piston Ø	Part No.	ØCX H7	ØD H11	ØD1 H13	DL ±0,2	E	EX -0,1	ER	EU	H
85, 95	5220463442	16	-	10	30	75	21	22	15	10
100	3663610000	20	90	11	43	114	20	35	16	15
115	5220563442	16	-	12	37.5	95	21	25	15	12

Piston Ø	L1 min.	L3	L4	MS -0,5	R1 min.	TG
25	3	-	3	14	-	26
32	0.5	42	6	15	16	32
40	0.5	48	8	17	16	32
52,5	0,5	55	9	17	18	46
63	-	-	-	-	-	33
75	0,5	70	11	25	21	59
80	-	-	-	-	-	49
80	0,5	80	12	28	21	73
85, 95	-	-	-	-	-	59
100	0,5	100	15	35	28	90
115	-	-	-	-	-	75

Foot mounting MS1, Series CM1



Piston diameter [mm]	for series	Standardization	Material	Part No.
32	PRA/TRB, CCI, CVI	ISO 15552	Steel, chrome-plated	1827001271
50	PRA/TRB, CCI, CVI	ISO 15552	Steel, chrome-plated	1827001273



Ø16

Ø20 - 320

Piston Ø	Part No.	ØAB	AO	AT	AU ±0,2	Ød	E	L1	L2	R
16	1821332053	5.5	5	3	13	4.5	29	35.5	13	8
20	1827002284	6.6	6	4	16	5.4	36	22	16	10
25	1827002285	6.6	6	4	16	5.4	40	23	17	11
25	3682202000	7	8	4	22	5.5	40	21	11.5	13.5
32	1827002286	6.6	8	5	18	6.6	50	24	16	–
32	1827001271	7	8	4 ±0,3	24	6.6	48	25	15.5	15
32	3662203000	7	8	5	24	5.5	47	26	16	15
40	1827002287	9	8	5	20	6.6	60	29.5	21.5	–
40	1827001272	10	10	4 ±0,3	28	6.6	56	26	17	17.5
40	3662204000	9	11	5	31	6.6	56	28	16	20
50	1827002288	9	8	6	24	9	68	30	22	–
50	1827001273	10	11	5 ±0,3	32	9	68	32	21.5	20
50	3662205000	9	12	6	33	6.6	63	35	22	23
63	1827002289	11	12	6	27	9	84	39	28.5	–
63	1827001498	10	13	5 ±0,3	32	9	78	34	21.5	22.5
63	3662206000	9	12	6	36	9	81	40	20.5	23

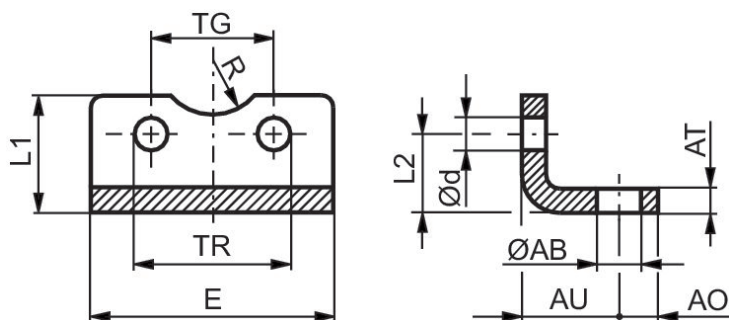
Piston Ø	Part No.	ØAB	AO	AT	AU ±0,2	Ød	E	L1	L2	R
80	1827002290	11	12	8	30	11	102	36.5	24.5	–
80	1827001275	12	16	6 ±0,5	41	11	98	47	27	22.5
80	3662208000	12	15	8	43	9	95	45	26.5	26
100	1827002291	13.5	12	8	33	11	123	38.5	26.5	–
100	1827001276	14.5	19	6 ±0,5	41	11	117	52	26.5	27.5
100	3662210000	14	17	10	43	11	115	50	26	32
125	1827001310	16.5	20	8 ±1,0	45	13.5	144	69	35	30
160	1827001457	18.5	23	10 ±1,0	60	17.5	185	100	45	32.5
200	1827001458	24	26	12 ±1,0	70	17.5	220	120	47.5	37.5
250	1827001459	28	33	20 ±1,0	75	22	280	135	55	45
320	5239010502	35	45	23 ±1,0	85	26	350	200	65	55

Piston Ø	TG	TR
16	18 ±0,2	18
20	22 ±0,2	22
25	26 ±0,2	26
25	27	26
32	32	32
32	32,5 ±0,2	32
32	32	32
40	42	42
40	38 ±0,2	36
40	40	36
50	50	50
50	46,5 ±0,2	45
50	46	45
63	62	62
63	56,5 ±0,2	50
63	59	50
80	82	82
80	72 ±0,2	63
80	73	63
100	103	103
100	89 ±0,2	75
100	90	75
125	110 ±0,3	90
160	140 ±0,3	115
200	175 ±0,3	135
250	220 ±0,3	165
320	270 ±0,3	200

Foot mounting MS9, Series CM1



Piston diameter [mm]	Material	Part No.
32	Steel, chrome-plated	1827001018
50	Steel, chrome-plated	1827001020



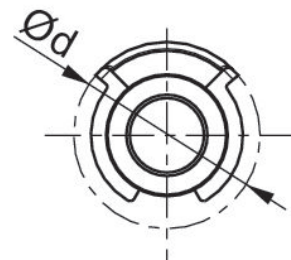
Piston Ø	Part No.	Ø AB H13	AO	AT	AU	Ø d	E	L1	L2	R
32	1827001018	7	12	5	18	6.6	79	30	15.8	15
40	1827001019	10	12	5	18	6.6	90	30	17	17.5
50	1827001020	10	14	5	21	9	110	35	21.7	20
63	1827020085	10	14	5	21	9	120	35	21.7	25
80	1827001022	12	13	5	27	11	153	50	27	22.5
100	1827001023	14.5	13	5	27	11	178	50	26.5	27.5

Piston Ø	TG ±0,1	TR JS14
32	32.5	65
40	38	75
50	46.5	90
63	56.5	100
80	72	128
100	89	148

Bolts AA4, Series CM1



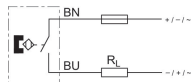
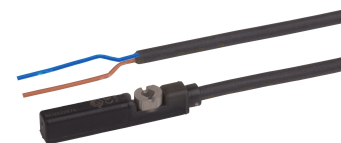
Piston diameter [mm]	Material	Surface	Part No.
32	Steel, chrome-plated	galvanized	1823120020
50	Steel, chrome-plated	galvanized	1823120022



Piston Ø	Part No.	Ø d max.	EK e8	EL	L max.	L6 max.
32	1823120020	20	10	45.2 +0,3	3.5	9
40	1823120021	22	12	52.2 +0,3	4	9
50	1823120022	22	12	60.2 +0,3	4	9
63	1823120023	28	16	70.2 +0,3	4.5	11
80	1823120024	28	16	90.2 +0,3	4.5	11
100	1823120025	38	20	110.2 +0,3	5	11

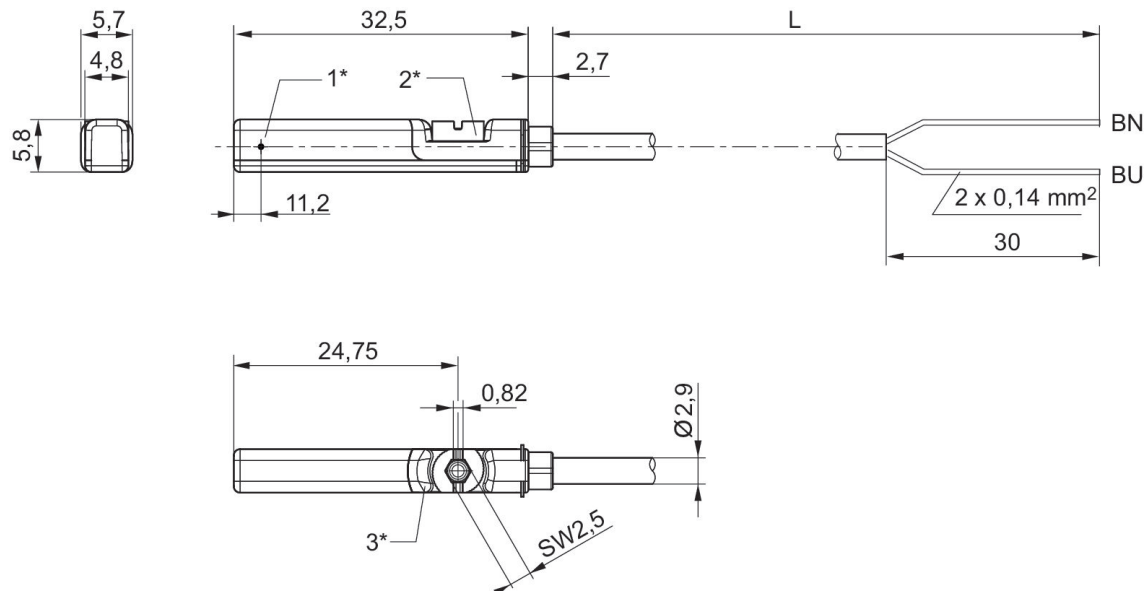
Sensor, Series ST6

PRA
PRE
CCI
KPZ
SSI
GPC
CVI
without wire end ferrule, tin-plated



Direct mounting for series	Type of contact	Cable sheath	Cable length L [m]	DC switching current, max. [A]	AC switching current, max. [A]	Operating voltage DC, min. [V DC]	Operating voltage DC, max. [V DC]	Operating voltage AC, min. [V AC]	Operating voltage AC, max. [V AC]	Version	Part No.
PRA, PRE, CCI, KPZ, SSI, GPC, CVI	Reed	Polyurethane	3	0.13	0.13	10	230	10	230	Protected against polarity reversal	R412022866
PRA, PRE, CCI, KPZ, SSI, GPC, CVI	Reed	Polyurethane	5	0.13	0.13	10	230	10	230	Protected against polarity reversal	R412027170

Dimensions



1* = switching point 2* = locking screw 3* = LED window, transparent
L = cable length BN=brown, BU=blue

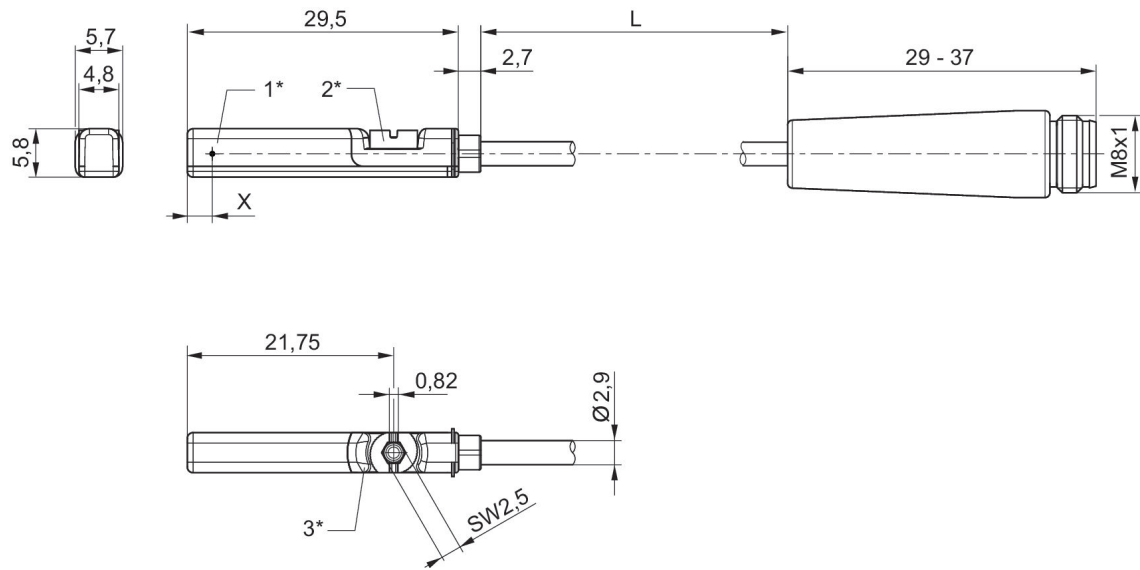
Sensor, Series ST6

PRA
PRE
CCI
KPZ
SSI
GPC
CVI
Plug
M8



Direct mounting for series	Type of contact	Cable sheath	Cable length L [m]	DC switching current, max. [A]	AC switching current, max. [A]	Operating voltage DC, min. [V DC]	Operating voltage DC, max. [V DC]	Operating voltage AC, min. [V AC]	Operating voltage AC, max. [V AC]	Version	Part No.
PRA, PRE, CCI, KPZ, SSI, GPC, CVI	Reed	Polyurethane	0.3	0.13	0.13	10	30	10	30	Protected against polarity reversal	R412022868
PRA, PRE, CCI, KPZ, SSI, GPC, CVI	Reed	Polyurethane	0.3	0.13	0.13	10	30	10	30	Protected against polarity reversal	R412027172
PRA, PRE, CCI, KPZ, SSI, GPC, CVI	Reed	Polyurethane	0.3	0.3	0.5	10	30	10	30	Protected against polarity reversal	R412022872
PRA, PRE, CCI, KPZ, SSI, GPC, CVI	electronic PNP	Polyurethane	0.3	0.13		10	30			short circuit resistant, Protected against polarity reversal	R412022858
PRA, PRE, CCI, KPZ, SSI, GPC, CVI	NPN	Polyurethane	0.3	0.13		10	30			short circuit resistant, Protected against polarity reversal	R412022851

Dimensions



1* = switching point 2* = locking screw 3* = LED window, transparent
L = cable length
X = electronic: 11,6 mm, Reed: 8,3 mm

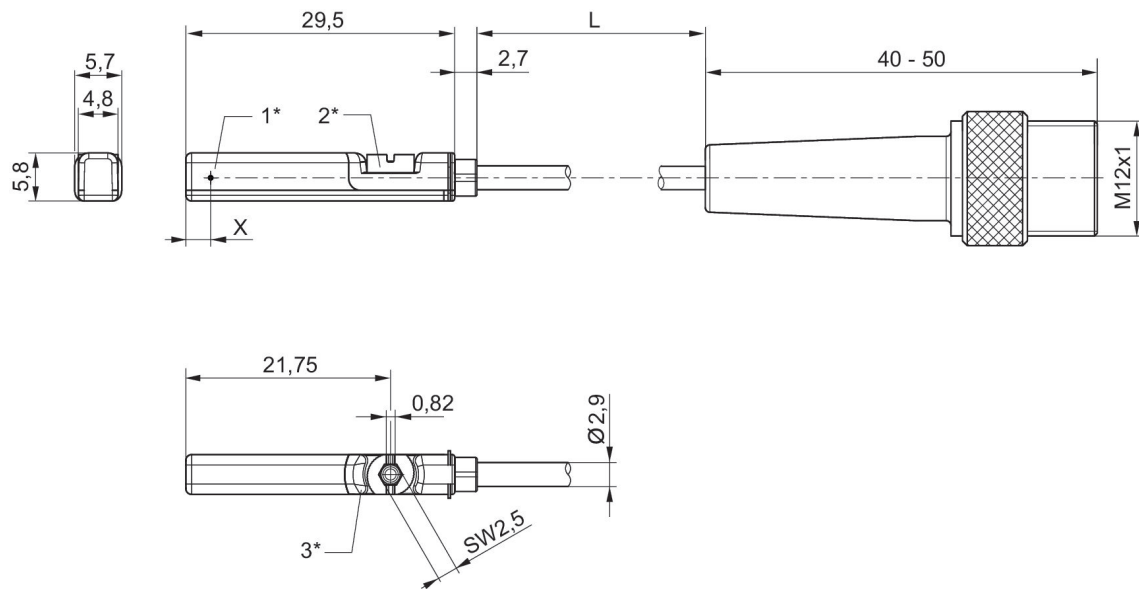
Sensor, Series ST6

PRA
PRE
CCI
KPZ
SSI
GPC
CVI
Plug
M12



Direct mounting for series	Type of contact	Cable sheath	Cable length L [m]	DC switching current, max. [A]	AC switching current, max. [A]	Operating voltage DC, min. [V DC]	Operating voltage DC, max. [V DC]	Operating voltage AC, min. [V AC]	Operating voltage AC, max. [V AC]	Version	Part No.
PRA, PRE, CCI, KPZ, SSI, GPC, CVI	Reed	Polyurethane	0.3	0.13	0.13	10	30	10	30	Protected against polarity reversal	R412027171
PRA, PRE, CCI, KPZ, SSI, GPC, CVI	Reed	Polyurethane	0.3	0.3	0.5	10	30	10	30	Protected against polarity reversal	R412022876
PRA, PRE, CCI, KPZ, SSI, GPC, CVI	electron PNP	Polyurethane	0.1	0.13		10	30			short circuit resistant, Protected against polarity reversal	R412022879
PRA, PRE, CCI, KPZ, SSI, GPC, CVI	electron PNP	Polyurethane	0.3	0.13		10	30			short circuit resistant, Protected against polarity reversal	R412022863
PRA, PRE, CCI, KPZ, SSI, GPC, CVI	electron PNP	Polyurethane	3	0.13		10	30			short circuit resistant, Protected against polarity reversal	R412022877
PRA, PRE, CCI, KPZ, SSI, GPC, CVI	electron PNP	Polyurethane	5	0.13		10	30			short circuit resistant, Protected against polarity reversal	R412022878

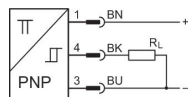
Dimensions



1* = switching point 2* = locking screw 3* = LED window, transparent
L = cable length
X = PNP: 11,6 mm, reed: 8,3 mm

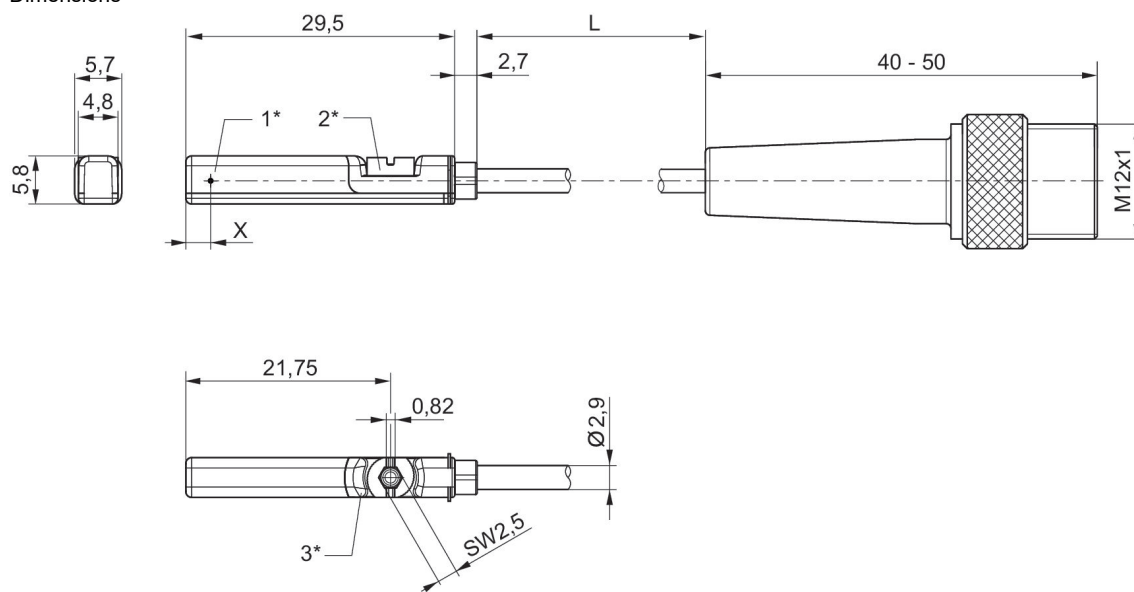
Sensor, Series ST6

PRA
PRE
CCI
KPZ
SSI
GPC
CVI
Plug
M12



Direct mounting for series	Type of contact	Cable sheath	Cable length L [m]	DC switching current, max. [A]	Operating voltage DC, min. [V DC]	Operating voltage DC, max. [V DC]	Version	Part No.
PRA, PRE, CCI, KPZ, SSI, GPC, CVI	PNP	Polyurethane	0.3	0.1	10	30	short circuit resistant, Protected against polarity reversal	R412022864

Dimensions



1* = switching point 2* = locking screw 3* = LED window, transparent
L = cable length
X = PNP: 11,6 mm, reed: 8,3 mm

Sensor, Series ST6

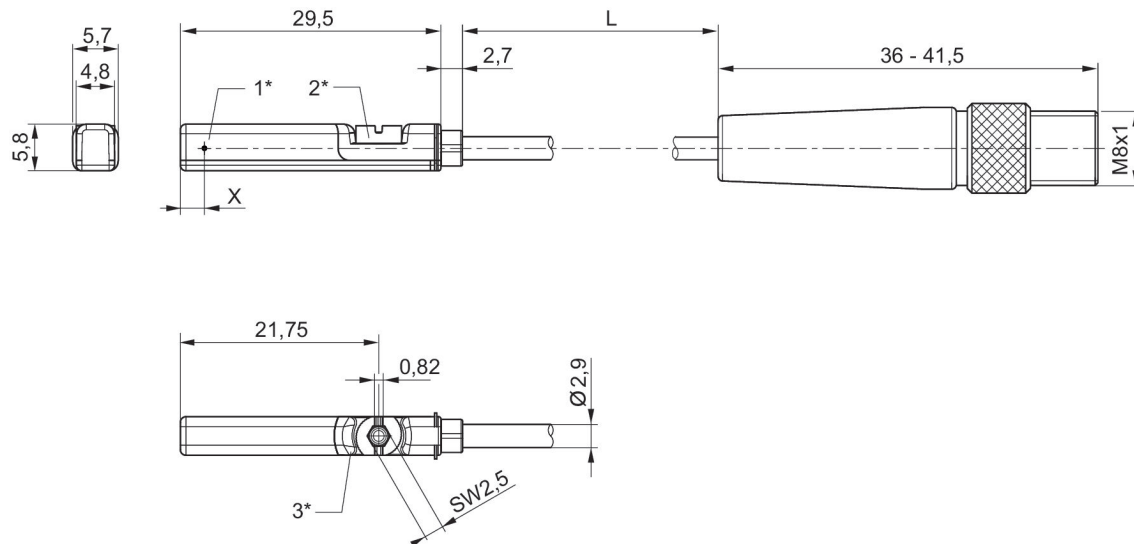
PRA
PRE
CCI
KPZ
SSI
GPC
CVI
Plug



Direct mounting for series	Type of contact	Cable sheath	Cable length L [m]	DC switching current, max. [A]	AC switching current, max. [A]	Operating voltage DC, min. [V DC]	Operating voltage DC, max. [V DC]	Operating voltage AC, min. [V AC]	Operating voltage AC, max. [V AC]	Version	Part No.
PRA, PRE, CCI, KPZ, SSI, GPC, CVI	Reed	Polyurethane	0.3	0.3	0.5	10	30	10	30	Protected against polarity reversal	R412022873
PRA, PRE, CCI, KPZ, SSI, GPC, CVI	Reed	Polyvinyl chloride	0.3	0.3	0.5	10	30	10	30	Protected against polarity reversal	R412022875
PRA, PRE, CCI, KPZ, SSI, GPC, CVI	Reed	Polyurethane	0.5	0.3	0.5	10	30	10	30	Protected against polarity reversal	R412022874
PRA, PRE, CCI, KPZ, SSI, GPC, CVI	electronic PNP	Polyurethane	0.3	0.13		10	30			short circuit resistant, Protected against polarity reversal	R412022859
PRA, PRE, CCI, KPZ, SSI, GPC, CVI	electronic PNP	Polyvinyl chloride	0.3	0.13		10	30			short circuit resistant, Protected against polarity reversal	R412022862
PRA, PRE, CCI, KPZ, SSI, GPC, CVI	electronic PNP	Polyurethane	0.5	0.13		10	30			short circuit resistant, Protected against polarity reversal	R412022861
PRA, PRE, CCI, KPZ, SSI, GPC, CVI	NPN	Polyurethane	0.3	0.13		10	30			short circuit resistant, Protected against	R412022852

Direct mounting for series	Type of contact	Cable sheath	Cable length L [m]	DC switching current, max. [A]	AC switching current, max. [A]	Operating voltage DC, min. max. [V DC]	Operating voltage DC, min. max. [V DC]	Operating voltage AC, min. max. [V AC]	Operating voltage AC, min. max. [V AC]	Version	Part No.
										polarity reversal	

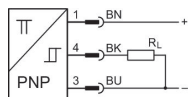
Dimensions



1* = switching point 2* = locking screw 3* = LED window, transparent
 L = cable length
 X = electronic: 11,6 mm, Reed: 8,3 mm

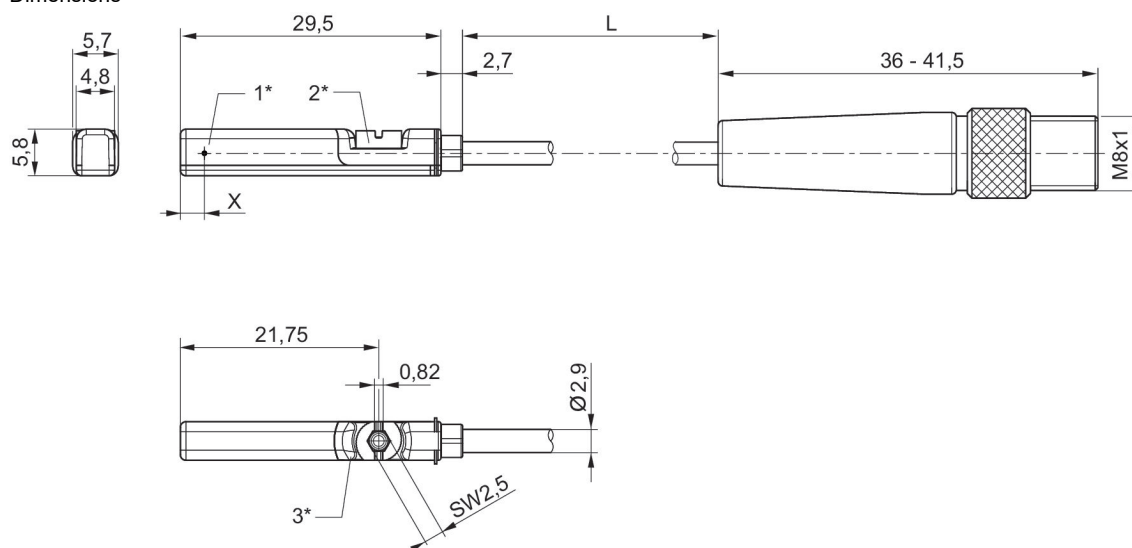
Sensor, Series ST6

PRA
PRE
CCI
KPZ
SSI
GPC
CVI
Plug
M8



Direct mounting for series	Type of contact	Cable sheath	Cable length L [m]	DC switching current, max. [A]	Operating voltage DC, min. [V DC]	Operating voltage DC, max. [V DC]	Version	Part No.
PRA, PRE, CCI, KPZ, SSI, GPC, CVI	PNP	Polyurethane	0.3	0.1	10	30	short circuit resistant, Protected against polarity reversal	R412022860

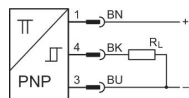
Dimensions



1* = switching point 2* = locking screw 3* = LED window, transparent
L = cable length
X = electronic: 11,6 mm, Reed: 8,3 mm

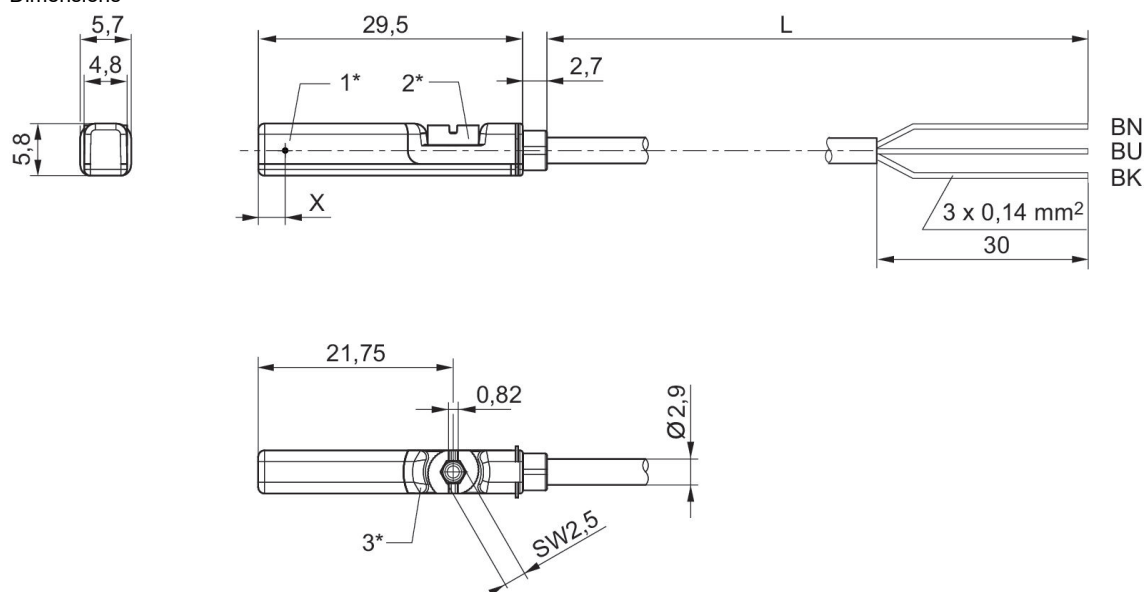
Sensor, Series ST6

PRA
PRE
CCI
KPZ
SSI
GPC
CVI
open cable ends



Direct mounting for series	Type of contact	Cable sheath	Cable length L [m]	DC switching current, max. [A]	Operating voltage DC, min. [V DC]	Operating voltage DC, max. [V DC]	Version	Part No.
PRA, PRE, CCI, KPZ, SSI, GPC, CVI	PNP	Polyurethane	3	0.1	10	30	short circuit resistant, Protected against polarity reversal	R412022854
PRA, PRE, CCI, KPZ, SSI, GPC, CVI	PNP	Polyurethane	5	0.1	10	30	short circuit resistant, Protected against polarity reversal	R412022856

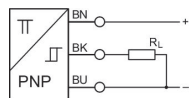
Dimensions



1* = switching point 2* = locking screw 3* = LED window, transparent
L = cable length BN = brown, BK = black, BU = blue
X = electronic: 11.6 mm

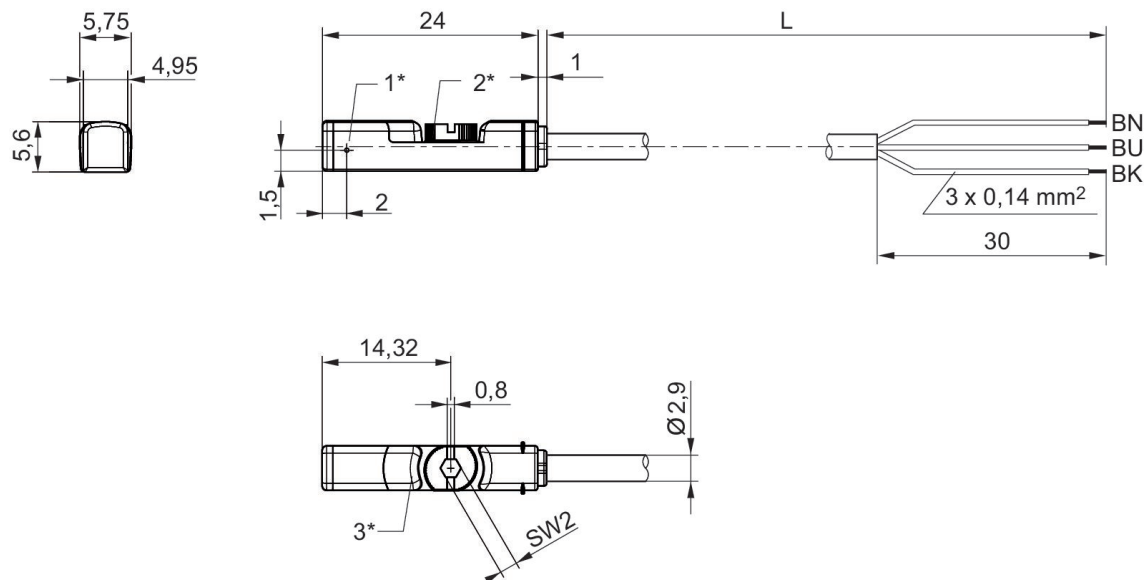
Sensor, Series ST6-LT

PRA
open cable ends



Direct mounting for series	Type of contact	Cable sheath	Cable length L [m]	DC switching current, max. [A]	Operating voltage DC, min. [V DC]	Operating voltage DC, max. [V DC]	Version	Part No.
PRA	PNP	Polyurethane	5	0.2	10	30	short circuit resistant	R412024011

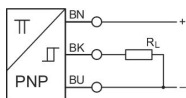
Dimensions



1* = switching point 2* = locking screw 3* = LED window, transparent
L = cable length BN = brown, BK = black, BU = blue

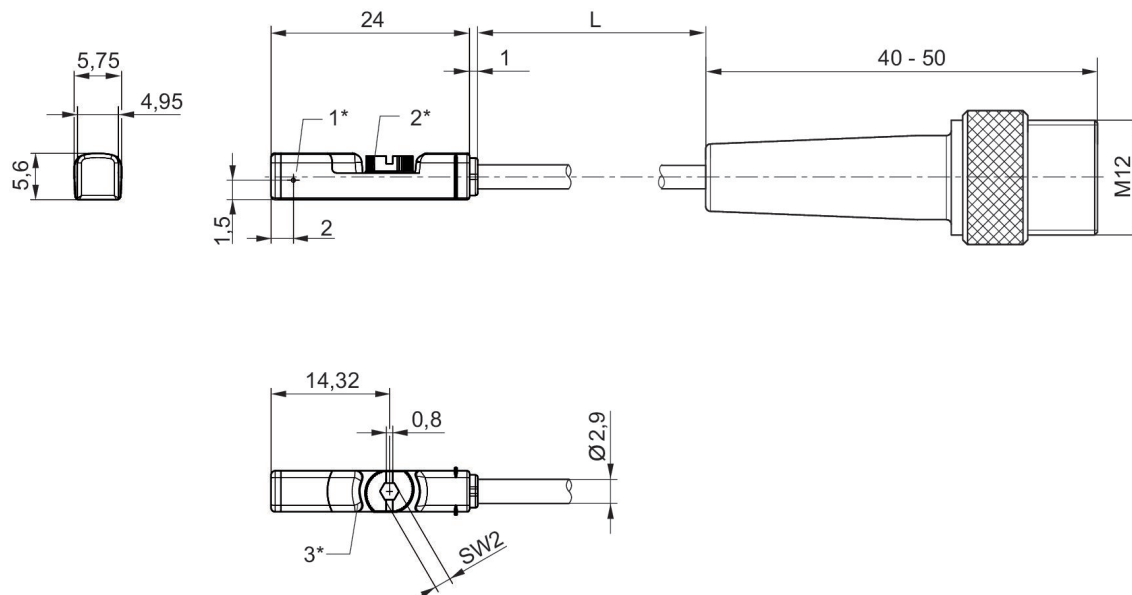
Sensor, Series ST6-LT

PRA
open cable ends



Direct mounting for series	Type of contact	Cable sheath	Cable length L [m]	DC switching current, max. [A]	Operating voltage DC, min. [V DC]	Operating voltage DC, max. [V DC]	Version	Part No.
PRA	PNP	Polyurethane	0.3	0.2	10	30	short circuit resistant	R412024670

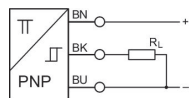
Dimensions



1* = switching point 2* = locking screw 3* = LED window, transparent
L = cable length

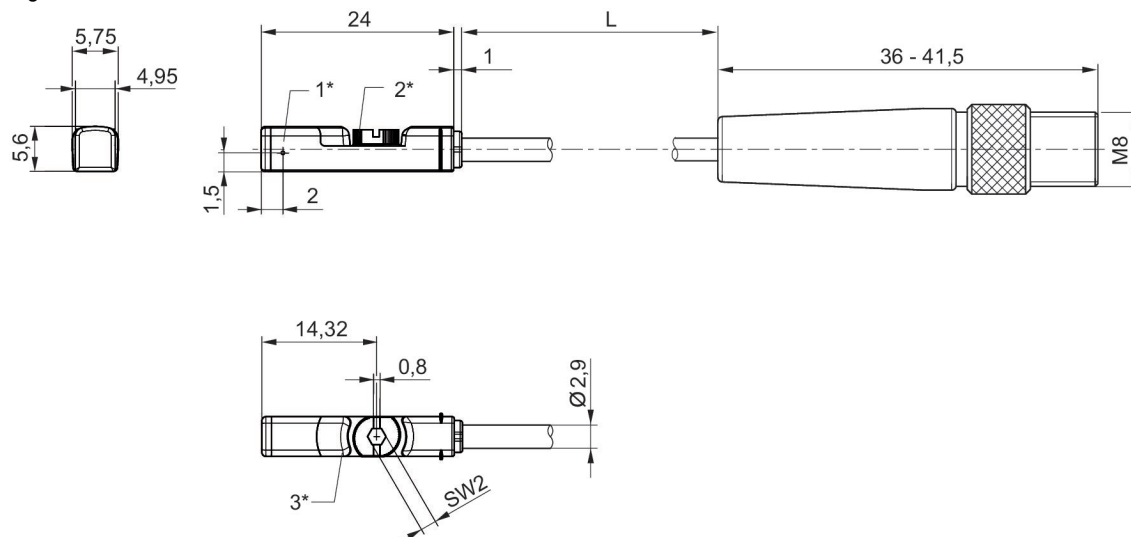
Sensor, Series ST6-LT

PRA
open cable ends



Direct mounting for series	Type of contact	Cable sheath	Cable length L [m]	DC switching current, max. [A]	Operating voltage DC, min. [V DC]	Operating voltage DC, max. [V DC]	Version	Part No.
PRA	PNP	Polyurethane	0.3	0.2	10	30	short circuit resistant	R412024669

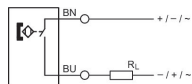
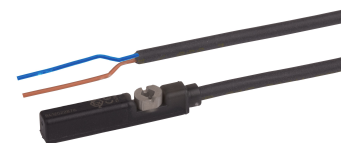
Fig. 2



1* = switching point 2* = locking screw 3* = LED window, transparent
L = cable length

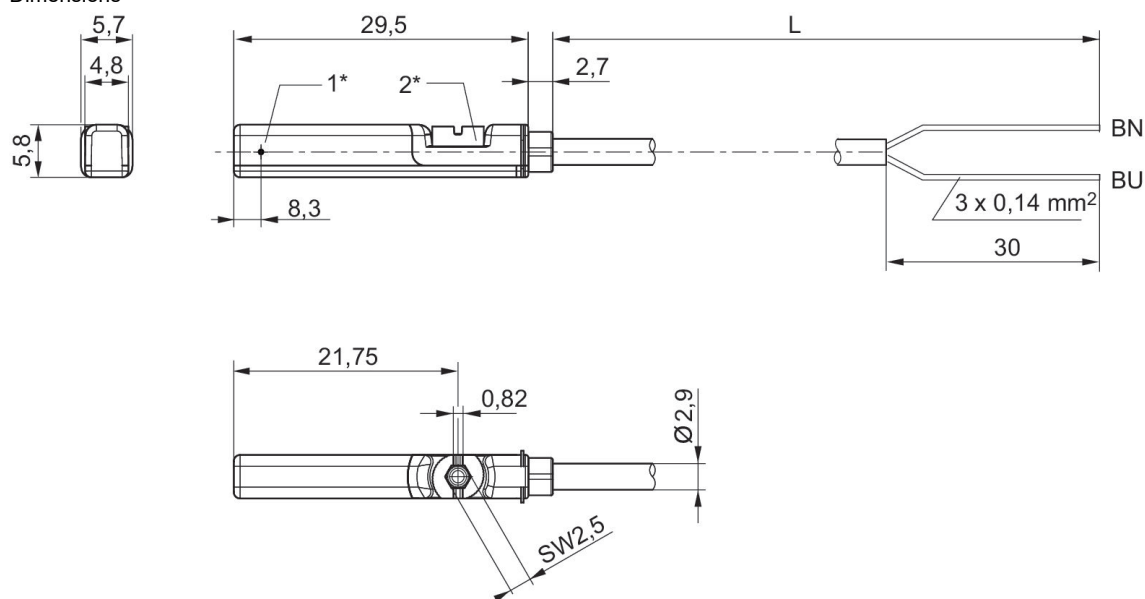
Sensor, Series ST6-HT

PRA
PRE
CCI
KPZ
open cable ends



Direct mounting for series	Type of contact	Cable sheath	Cable length L [m]	DC switching current, max. [A]	AC switching current, max. [A]	Operating voltage DC, min. [V DC]	Operating voltage DC, max. [V DC]	Operating voltage AC, min. [V AC]	Operating voltage AC, max. [V AC]	Version	Part No.
PRA, PRE, CCI, KPZ	Reed	Polyurethane	3	0.13	0.13	0	30	0	30	Protected against polarity reversal	R412022865
PRA, PRE, CCI, KPZ	Reed	Polyurethane	10	0.13	0.13	0	30	0	30	Protected against polarity reversal	R412022867

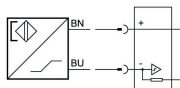
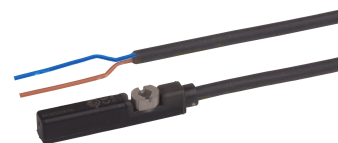
Dimensions



1* = switching point 2* = locking screw
L = cable length BN=brown, BU=blue

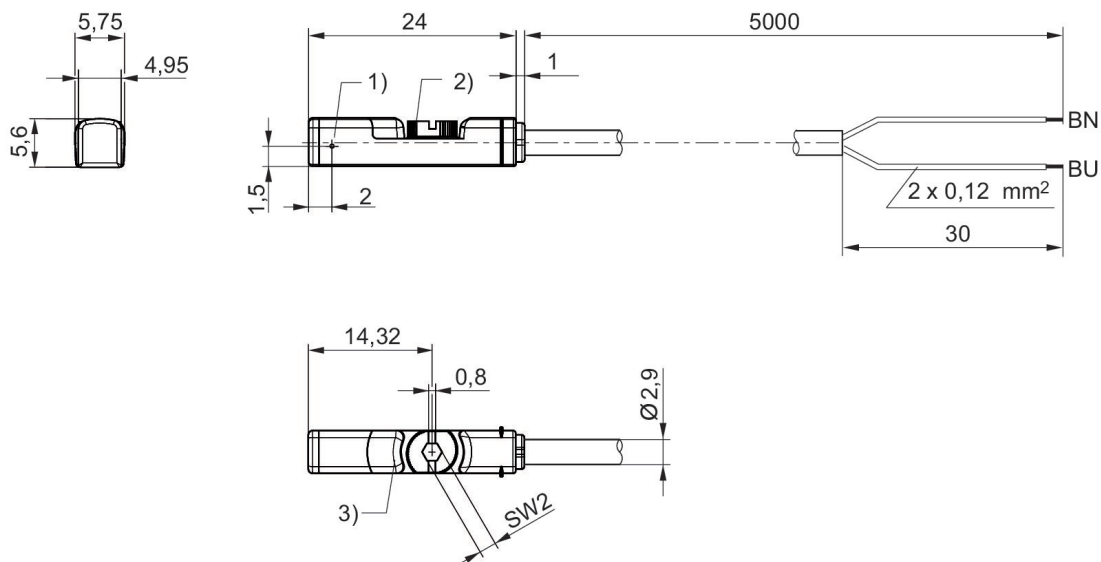
Sensor, Series ST6

PRA
PRE
CCI
KPZ
SSI
GPC
CVI
Wire end clips



Direct mounting for series	Cable sheath	Cable length L [m]	Operating voltage DC, max. [V DC]	Part No.
PRA, PRE, CCI, KPZ, SSI, GPC, CVI	Polyurethane	5	8.2	R412027174

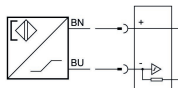
Dimensions in mm



- 1) Switching point
 - 2) Locking screw
 - 3) LED window, transparent
- BN = brown, BU = blue

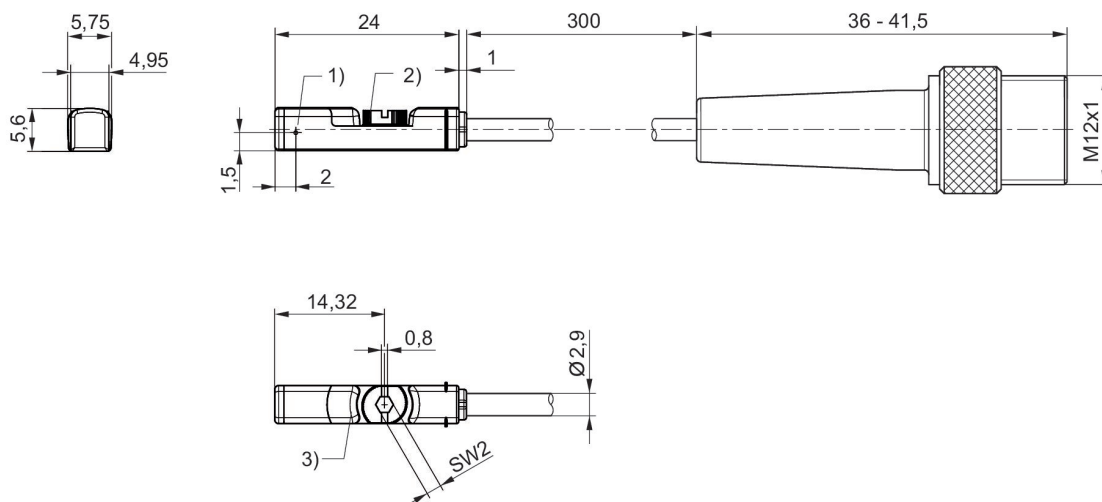
Sensor, Series ST6

PRA
PRE
CCI
KPZ
SSI
GPC
CVI
Plug
M12x1



Direct mounting for series	Cable sheath	Cable length L [m]	Operating voltage DC, max. [V DC]	Part No.
PRA, PRE, CCI, KPZ, SSI, GPC, CVI	Polyurethane	0.3	8.2	R412027173

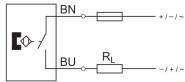
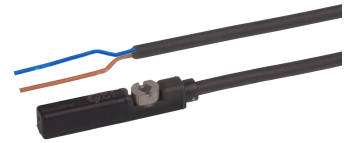
Dimensions in mm



- 1) Switching point
- 2) Locking screw
- 3) LED window, transparent

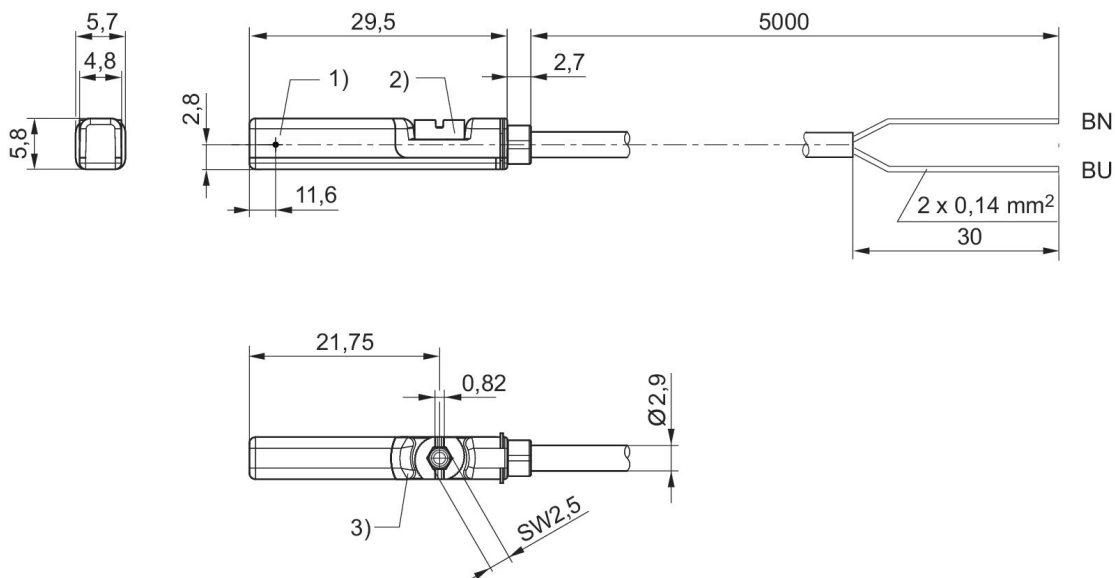
Sensor, Series ST6

PRA
PRE
CCI
KPZ
SSI
GPC
CVI
open cable ends



Direct mounting for series	Type of contact	Cable sheath	Cable length L [m]	Operating voltage DC, min. [V DC]	Operating voltage DC, max. [V DC]	Operating voltage AC, min. [V AC]	Operational voltage AC, max. [V AC]	Part No.
PRA, PRE, CCI, KPZ, SSI, GPC, CVI	Reed	Polyurethane	5	5	30	5	30	R412027175

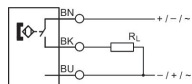
Dimensions in mm



- 1) Switching point
 - 2) Locking screw
 - 3) LED window, transparent
- BN = brown, BU = blue

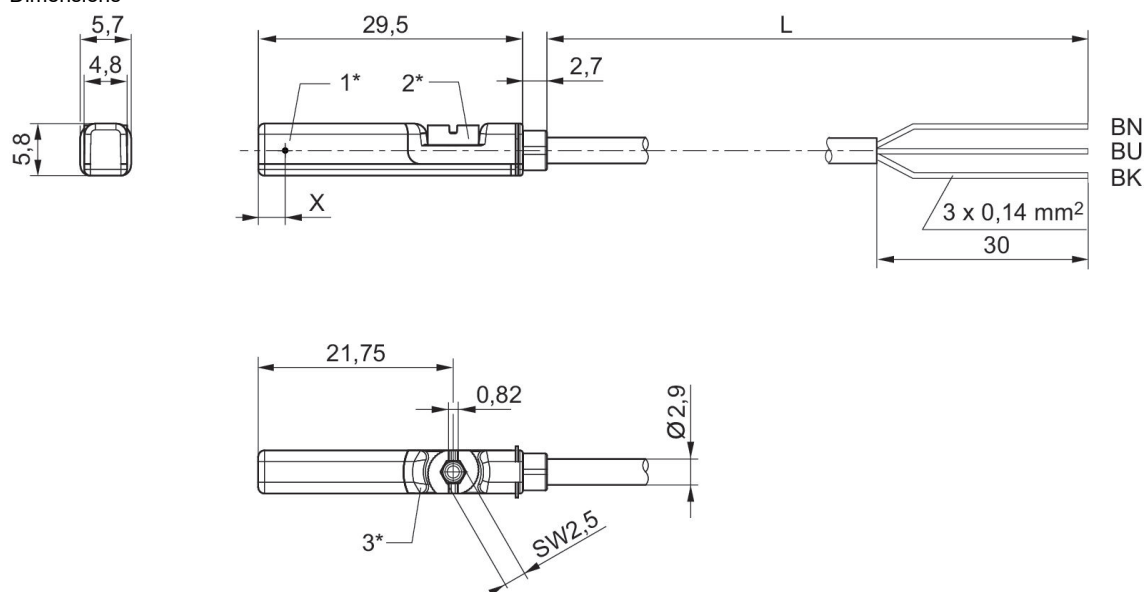
Sensor, Series ST6

PRA
PRE
CCI
KPZ
SSI
GPC
CVI
without wire end ferrule, tin-plated



Direct mounting for series	Type of contact	Cable sheath	Cable length L [m]	DC switching current, max. [A]	AC switching current, max. [A]	Operating voltage DC, min. [V DC]	Operating voltage DC, max. [V DC]	Operating voltage AC, min. [V AC]	Operating voltage AC, max. [V AC]	Version	Part No.
PRA, PRE, CCI, KPZ, SSI, GPC, CVI	Reed	Polyurethane	3	0.3	0.5	10	30	10	30	Protected against polarity reversal	R412022869
PRA, PRE, CCI, KPZ, SSI, GPC, CVI	Reed	Polyurethane	5	0.3	0.5	10	30	10	30	Protected against polarity reversal	R412022870
PRA, PRE, CCI, KPZ, SSI, GPC, CVI	Reed	Polyurethane	10	0.3	0.5	10	30	10	30	Protected against polarity reversal	R412022871

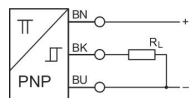
Dimensions



1* = switching point 2* = locking screw 3* = LED window, transparent
L = cable length BN = brown, BK = black, BU = blue
X = electronic: 11.6 mm

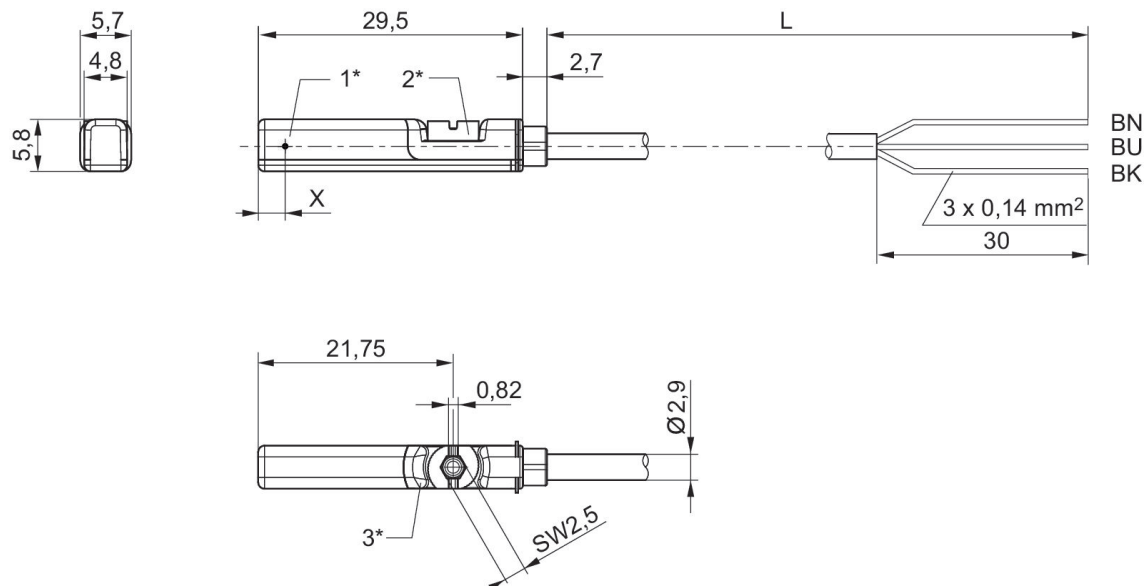
Sensor, Series ST6

PRA
PRE
CCI
KPZ
SSI
GPC
CVI
without wire end ferrule, tin-plated



Direct mounting for series	Type of contact	Cable sheath	Cable length L [m]	DC switching current, max. [A]	Operating voltage DC, min. [V DC]	Operating voltage DC, max. [V DC]	Version	Part No.
PRA, PRE, CCI, KPZ, SSI, GPC, CVI	electronic PNP	Polyurethane	3	0.13	10	30	short circuit resistant, Protected against polarity reversal	R412022853
PRA, PRE, CCI, KPZ, SSI, GPC, CVI	electronic PNP	Polyurethane	5	0.13	10	30	short circuit resistant, Protected against polarity reversal	R412022855
PRA, PRE, CCI, KPZ, SSI, GPC, CVI	electronic PNP	Polyurethane	10	0.13	10	30	short circuit resistant, Protected against polarity reversal	R412022857

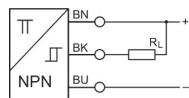
Dimensions



1* = switching point 2* = locking screw 3* = LED window, transparent
L = cable length BN = brown, BK = black, BU = blue
X = electronic: 11.6 mm

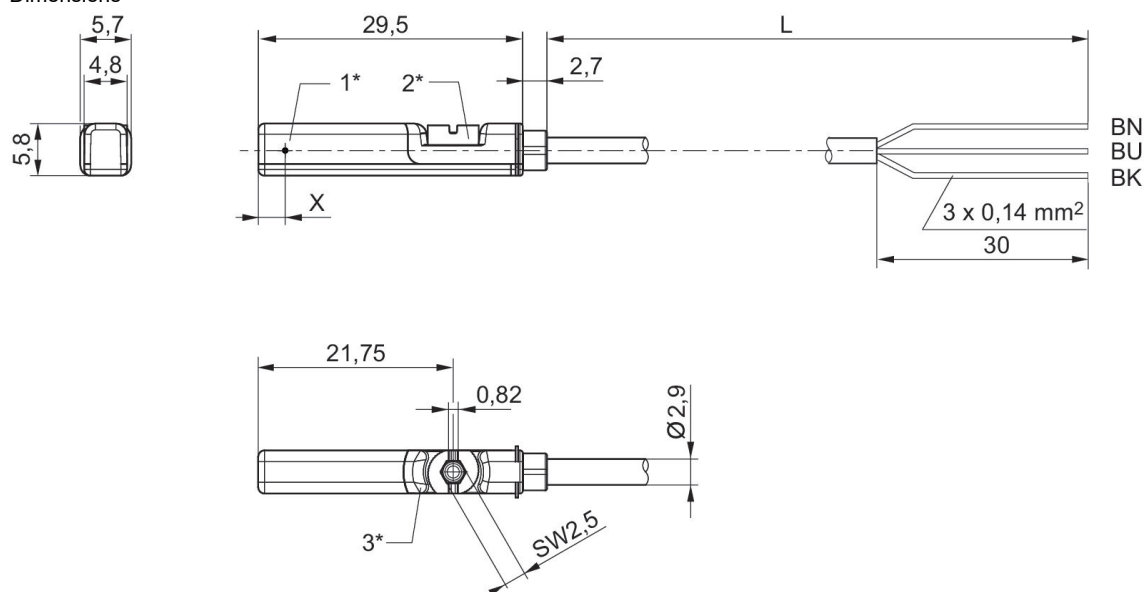
Sensor, Series ST6

PRA
PRE
CCI
KPZ
SSI
GPC
CVI
without wire end ferrule, tin-plated



Direct mounting for series	Type of contact	Cable sheath	Cable length L [m]	DC switching current, max. [A]	Operating voltage DC, min. [V DC]	Operating voltage DC, max. [V DC]	Version	Part No.
PRA, PRE, CCI, KPZ, SSI, GPC, CVI	NPN	Polyurethane	3	0.13	10	30	short circuit resistant, Protected against polarity reversal	R412022849
PRA, PRE, CCI, KPZ, SSI, GPC, CVI	NPN	Polyurethane	5	0.13	10	30	short circuit resistant, Protected against polarity reversal	R412022850

Dimensions

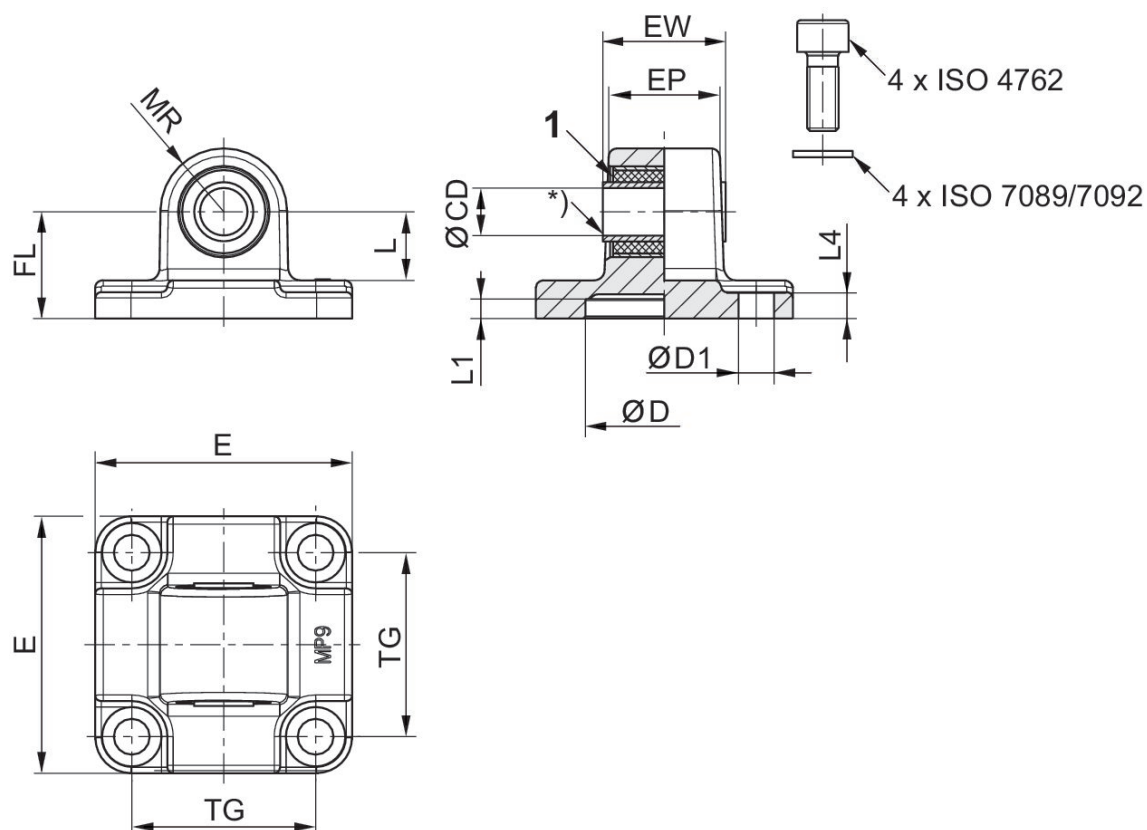


1* = switching point 2* = locking screw 3* = LED window, transparent
L = cable length BN = brown, BK = black, BU = blue
X = electronic: 11.6 mm

Rear eye MP9, Series CM1



Piston diameter [mm]	Swivel bearing Ø [mm]	Standardization	Material	Part No.
32	10	ISO 15552	Aluminum	3683203000
50	12	ISO 15552	Aluminum	3683205000



1) Rubber bushing

Piston Ø	Part No.	CD H11	CD H9	E	EW	EP	TG	TG1 ±0,2	FL ±0,2	L 1)
32	3683203000	10	-	46	25.5	18,9	32.5	-	22	13.8
50	3683205000	-	12	65	31	28	46.5	-	27	17.3
50	3663205000		12	63	31		46		28	15.5
80	3663208000		16	95	49.5		73		38	20.5

Piston Ø	Part No.	CD H11	CD H9	E	EW	EP	TG	TG1 ±0,2	FL ±0,2	L 1)
80	3683208000	-	16	94.5	49.5	43	72	-	36	21.8
125	R412015973	-	25	138	69.5	60	110	-	50	33.8

Piston Ø	MR	L1	L4	D H11	D1 H13
32	12.5	5	5.5	30	6.6
50	16	5	6.5	40	9
50	18				
80	24				
80	22	5	10	45	11
125	34	7.5	10	60	13.5

Efficient pneumatic solutions, our program: cylinders and drives, valves and valve systems, air supply management



Visit us: [Emerson.com/Aventics](https://www.emerson.com/aventics)

Your local contact: [Emerson.com/contactus](https://www.emerson.com/contactus)



[Emerson.com](https://www.emerson.com)



[Facebook.com/EmersonAutomationSolutions](https://www.facebook.com/EmersonAutomationSolutions)



[LinkedIn.com/company/Emerson-Automation-Solutions](https://www.linkedin.com/company/Emerson-Automation-Solutions)



[Twitter.com/EMR_Automation](https://twitter.com/EMR_Automation)

An example configuration is depicted on the title page. The delivered product may thus vary from that in the illustration. Subject to change. This Document, as well as the data, specifications and other information set forth in it, are the exclusive property of AVENTICS GmbH. It may not be reproduced or given to third parties without its consent. Only use the AVENTICS products shown in industrial applications. Read the product documentation completely and carefully before using the product. Observe the applicable regulations and laws of the respective country. When integrating the product into applications, note the system manufacturer's specifications for safe use of the product. The data specified only serve to describe the product. No statements concerning a certain condition or suitability for a certain application can be derived from our information. The information given does not release the user from the obligation of own judgment and verification. It must be remembered that the products are subject to a natural process of wear and aging.

The Emerson logo is a trademark and service mark of Emerson Electric Co. Brand logotype are registered trademarks of one of the Emerson family of companies. All other marks are the property of their respective owners. © 2019 Emerson Electric Co. All rights reserved.



CONSIDER IT SOLVED™