

# KPZ-SC



**AVENTICS™**

**Compact cylinder, Series KPZ-SC**

  
**EMERSON™**

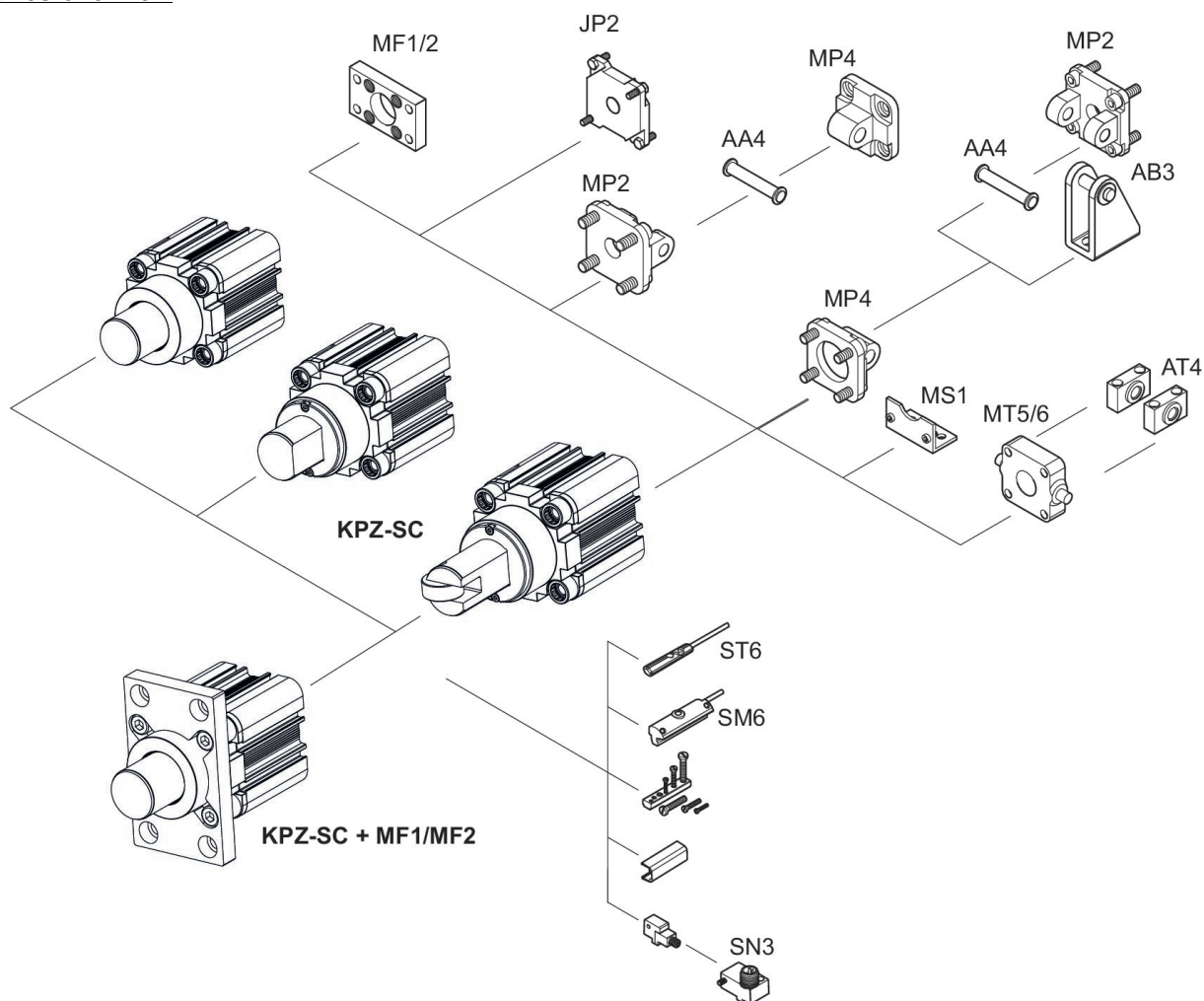
**AVENTICS Series KPZ-SC Compact cylinders**

Pneumatic cylinders with reinforced piston rod, featuring high resistance to shocks and radial loads. Typically used in conveyor belts and other special machinery, to allow stopping loads smoothly and safely, up to 90Kg weight. Mounting holes dimensions are compatible with NFE 49-004.

- **Robust Construction:** High resistance to shocks and radial loads to safely stop package loads at conveyor belts and other special machinery, up to 90 kg
- **Safety in Applications:** Single Acting and Double Acting cylinders with Spring allow safe stopping of masses in an emergency or pressure failure
- **Easy to Mount:** Standard mountings hole dimensions compatible with NFE 49-004
- **Noise Reduction:** Elastic cushioning at stroke ends, and air exhaust silencers delivered mounted on Single Acting cylinders
- **Choice of Rod Design Options:** Trunnion, Trunnion with anti rotation, and Roller, to better meet the needs of the application
- **Flexibility for Installation:** Two standard M3x8 screws allow easy 90° orientation to align the trunnion rod and roller with the conveyed loads



**Accessories overview**



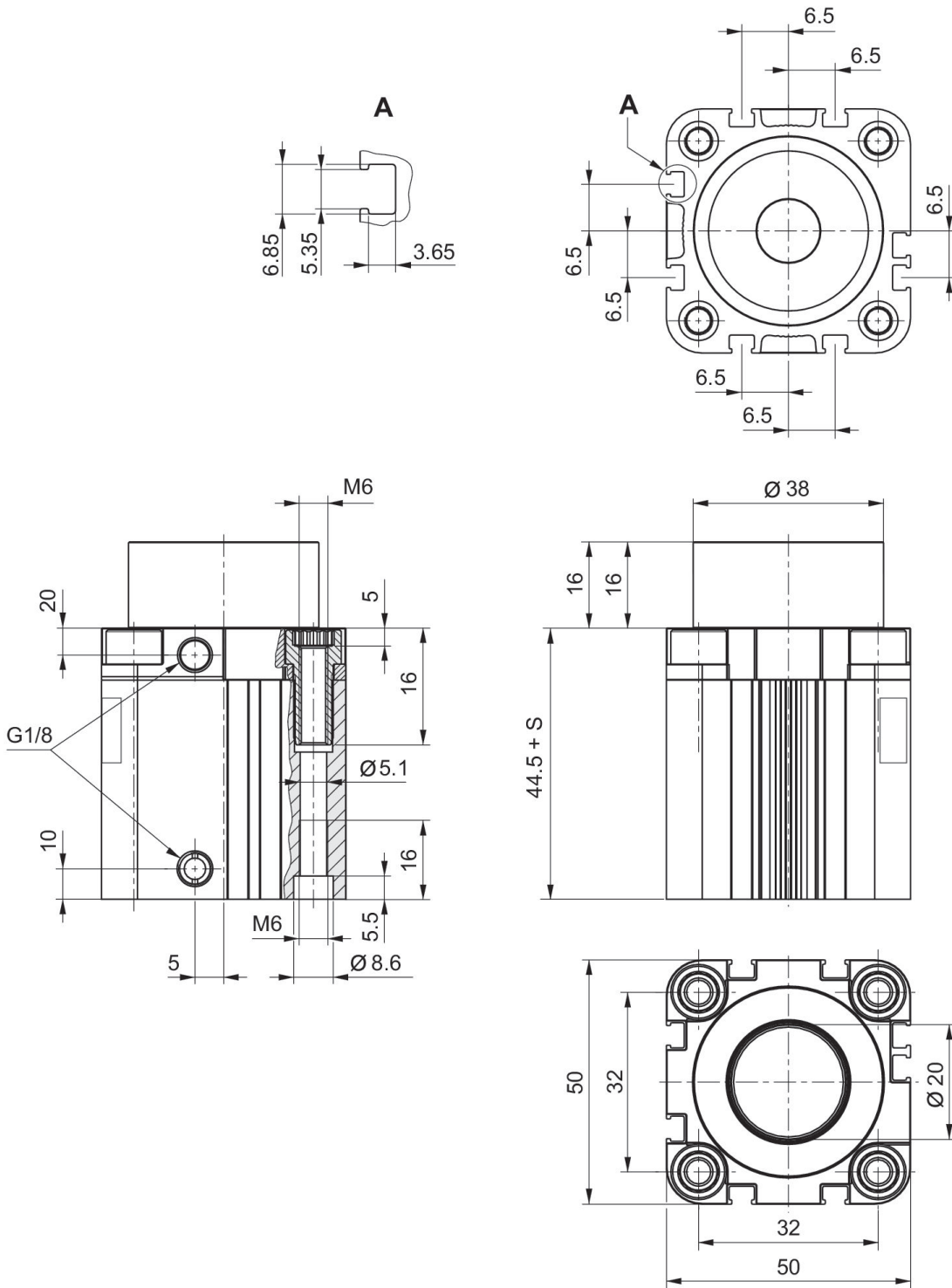
Compact cylinder, Series KPZ-SC

Single-acting, extended without pressure  
Axle pivot version



Piston Ø [mm]	Stroke [mm]	Ports	Cushioning	Magnetic piston	Retracting piston force [N]	Extracting piston force [N]	Max. permissible radial bearing load [N]	Max. permissible radial bearing load F during switching operation [N]	Part No.
32	15	G 1/8	Elastic cushioning	Piston with magnet	309	507	3270	570	R452000681
32	20	G 1/8	Elastic cushioning	Piston with magnet	309	507	3270	570	R452000684
32	25	G 1/8	Elastic cushioning	Piston with magnet	309	507	3270	570	R452000687

Dimensions in mm



S = stroke

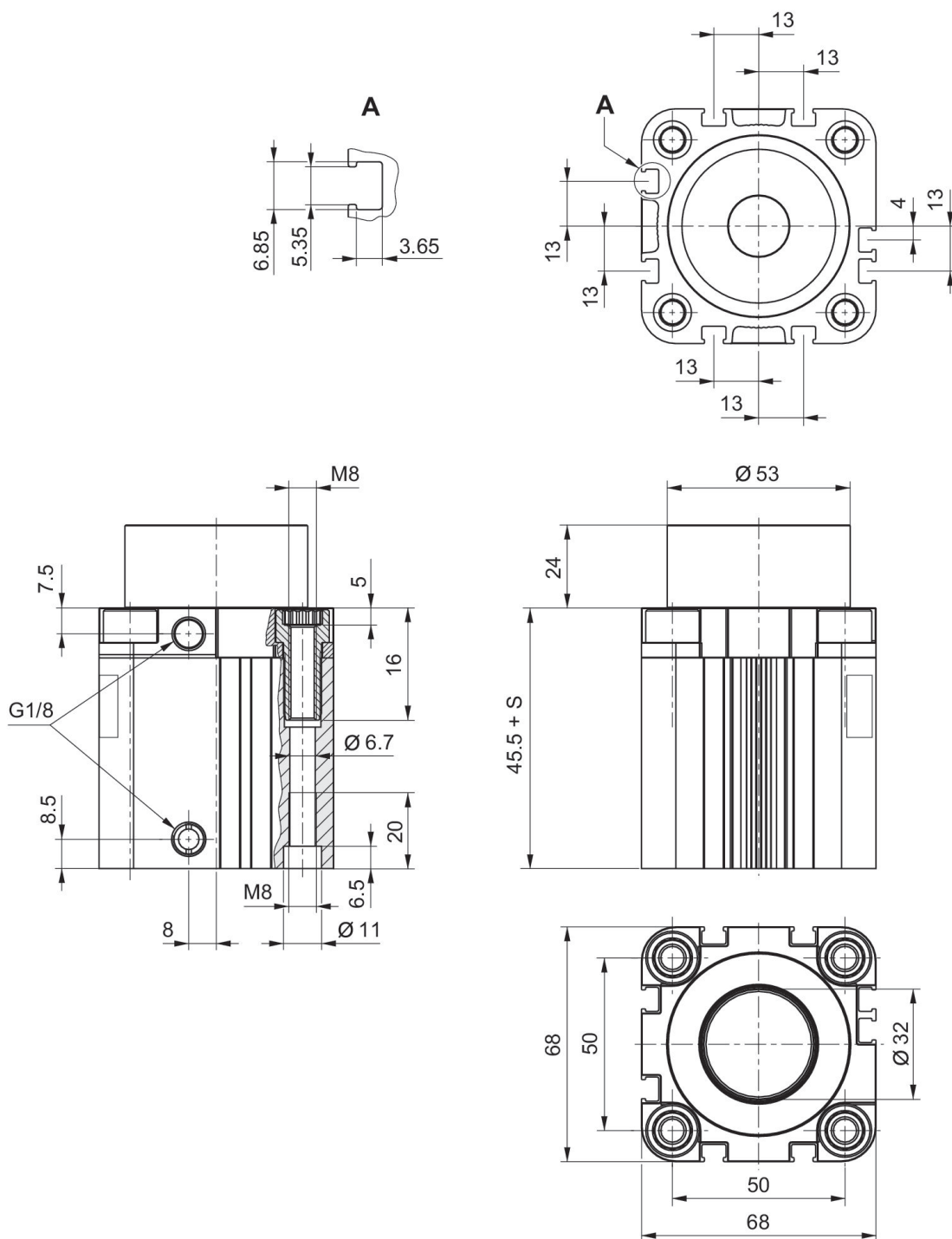
Compact cylinder, Series KPZ-SC

Single-acting, extended without pressure  
Axle pivot version



Piston Ø [mm]	Stroke [mm]	Ports	Cushioning	Magnetic piston	Retracting piston force [N]	Extracting piston force [N]	Max. permissible radial bearing load [N]	Max. permissible radial bearing load F during switching operation [N]	Part No.
50	20	G 1/8	Elastic cushioning	Piston with magnet	730	1237	3270	1500	R452000690
50	25	G 1/8	Elastic cushioning	Piston with magnet	730	1237	3270	1500	R452000693
50	30	G 1/8	Elastic cushioning	Piston with magnet	730	1237	3270	1500	R452000696

Dimensions in mm



S = stroke

Compact cylinder, Series KPZ-SC

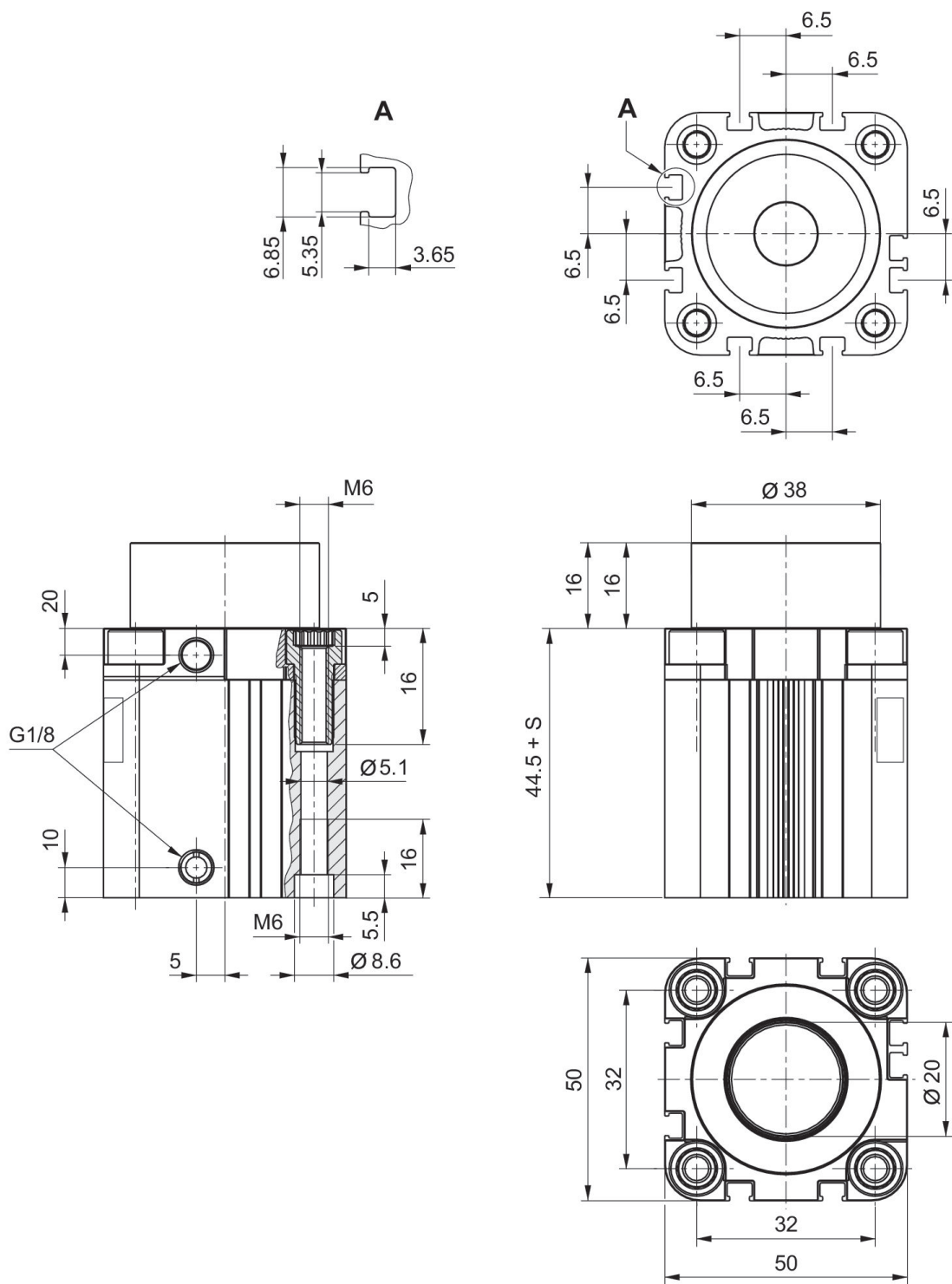
Double-acting  
Axle pivot version



Piston Ø [mm]	Stroke [mm]	Ports	Cushioning	Magnetic piston	Retracting piston force [N]	Extending piston force [N]	Max. permissible radial bearing load [N]	Max. permissible radial bearing load F during switching operation [N]	Part No.
32	15	G 1/8	Elastic cushioning	Piston with magnet	309	507	3270	570	R452000699
32	20	G 1/8	Elastic cushioning	Piston with magnet	309	507	3270	570	R452000702
32	25	G 1/8	Elastic cushioning	Piston with magnet	309	507	3270	570	R452000705



Dimensions in mm



S = stroke

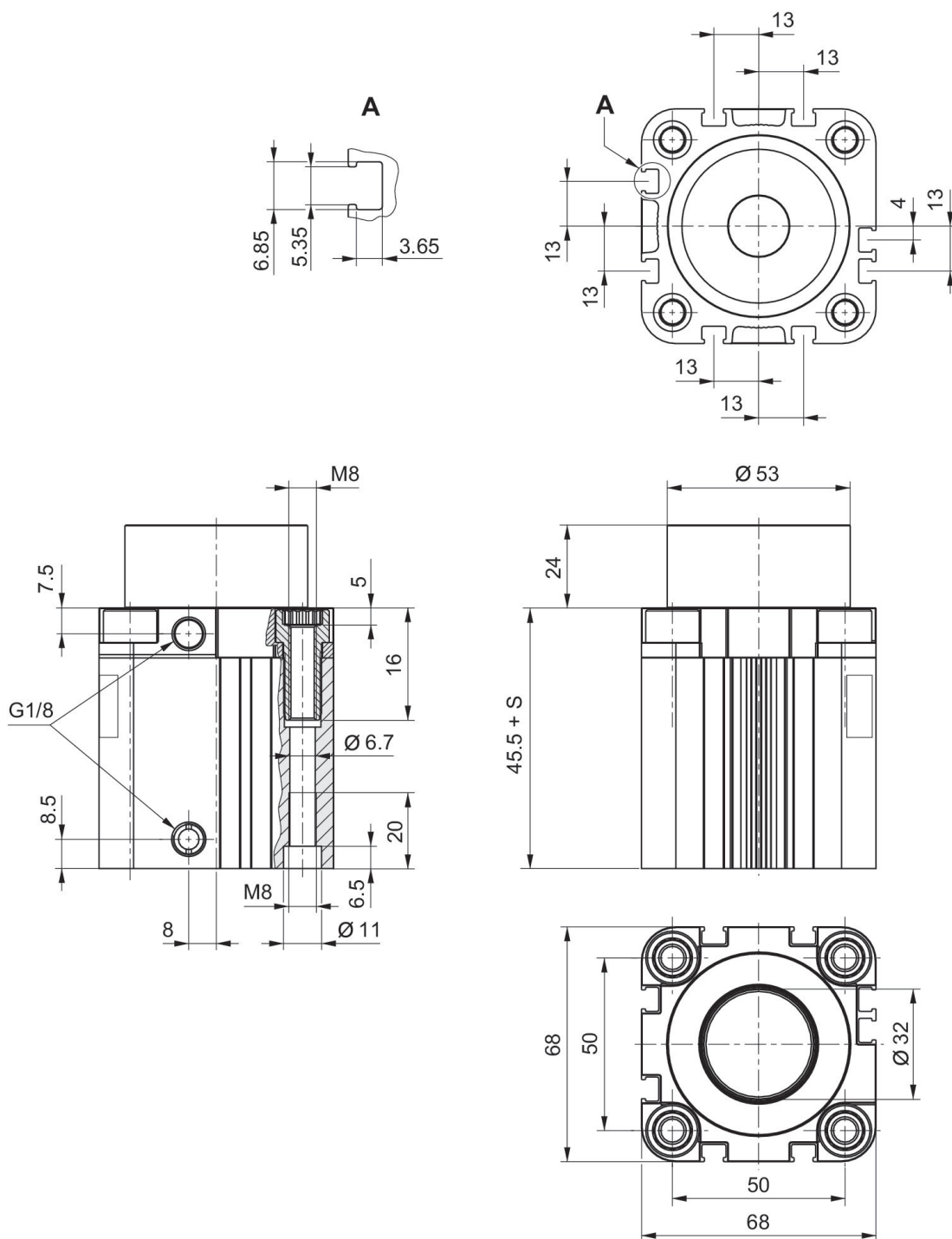
Compact cylinder, Series KPZ-SC

Double-acting  
Axle pivot version



Piston Ø [mm]	Stroke [mm]	Ports	Cushioning	Magnetic piston	Retracting piston force [N]	Extracting piston force [N]	Max. permissible radial bearing load [N]	Max. permissible radial bearing load F during switching operation [N]	Part No.
50	20	G 1/8	Elastic cushioning	Piston with magnet	730	1237	3270	1500	R452000708
50	25	G 1/8	Elastic cushioning	Piston with magnet	730	1237	3270	1500	R452000711
50	30	G 1/8	Elastic cushioning	Piston with magnet	730	1237	3270	1500	R452000714

Dimensions in mm



S = stroke

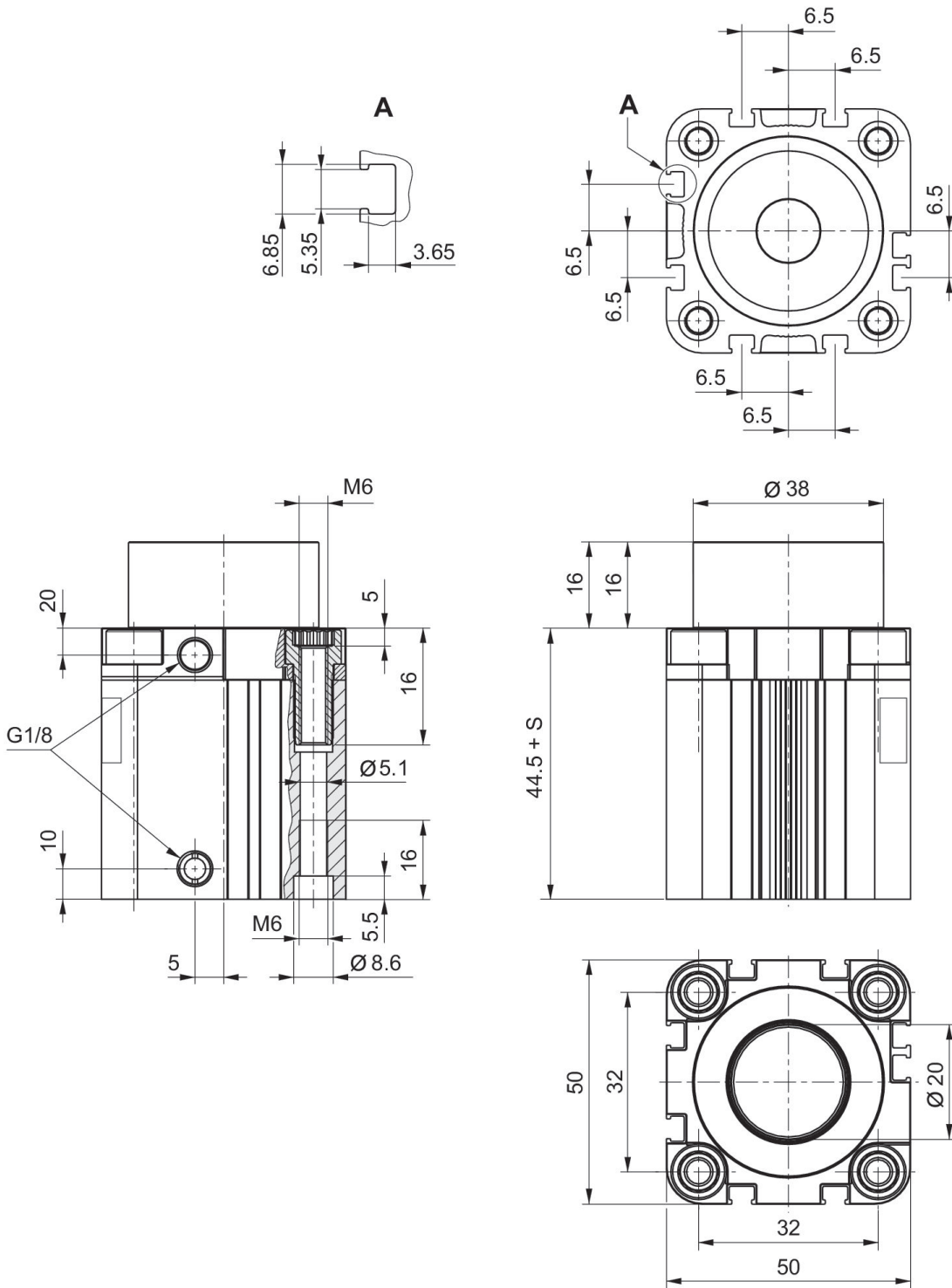
Compact cylinder, Series KPZ-SC

double-acting with spring return,  
extended without pressure  
Axle pivot version



Piston Ø [mm]	Stroke [mm]	Ports	Cushioning	Magnet-ic piston	Retract-ing piston force [N]	Extract-ing piston force [N]	Max. per-missible radial bearing load [N]	Max. per-missible radial bearing load F during switching operation [N]	Part No.
32	15	G 1/8	Elastic cushioning	Piston with magnet	309	507	3270	570	R452000717
32	20	G 1/8	Elastic cushioning	Piston with magnet	309	507	3270	570	R452000720
32	25	G 1/8	Elastic cushioning	Piston with magnet	309	507	3270	570	R452000723

Dimensions in mm



S = stroke

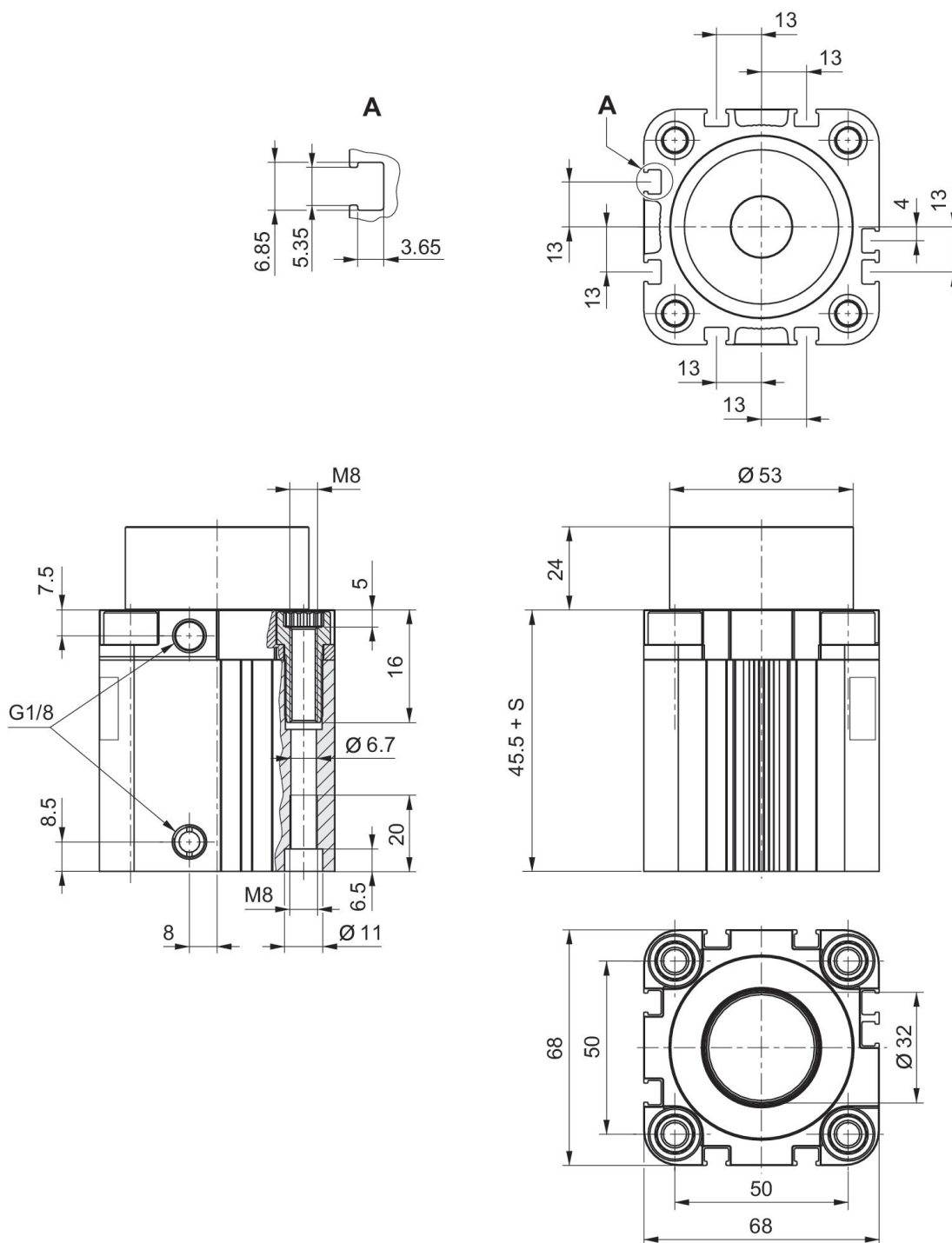
Compact cylinder, Series KPZ-SC

double-acting with spring return,  
extended without pressure  
Axle pivot version



Piston Ø [mm]	Stroke [mm]	Ports	Cushioning	Magnet-ic piston	Retract-ing piston force [N]	Extract-ing piston force [N]	Max. per-missible radial bearing load [N]	Max. per-missible radial bearing load F during switching operation [N]	Part No.
50	20	G 1/8	Elastic cushioning	Piston with magnet	730	1237	3270	1500	R452000726
50	25	G 1/8	Elastic cushioning	Piston with magnet	730	1237	3270	1500	R452000729
50	30	G 1/8	Elastic cushioning	Piston with magnet	730	1237	3270	1500	R452000732

Dimensions in mm



S = stroke

Compact cylinder, Series KPZ-SC

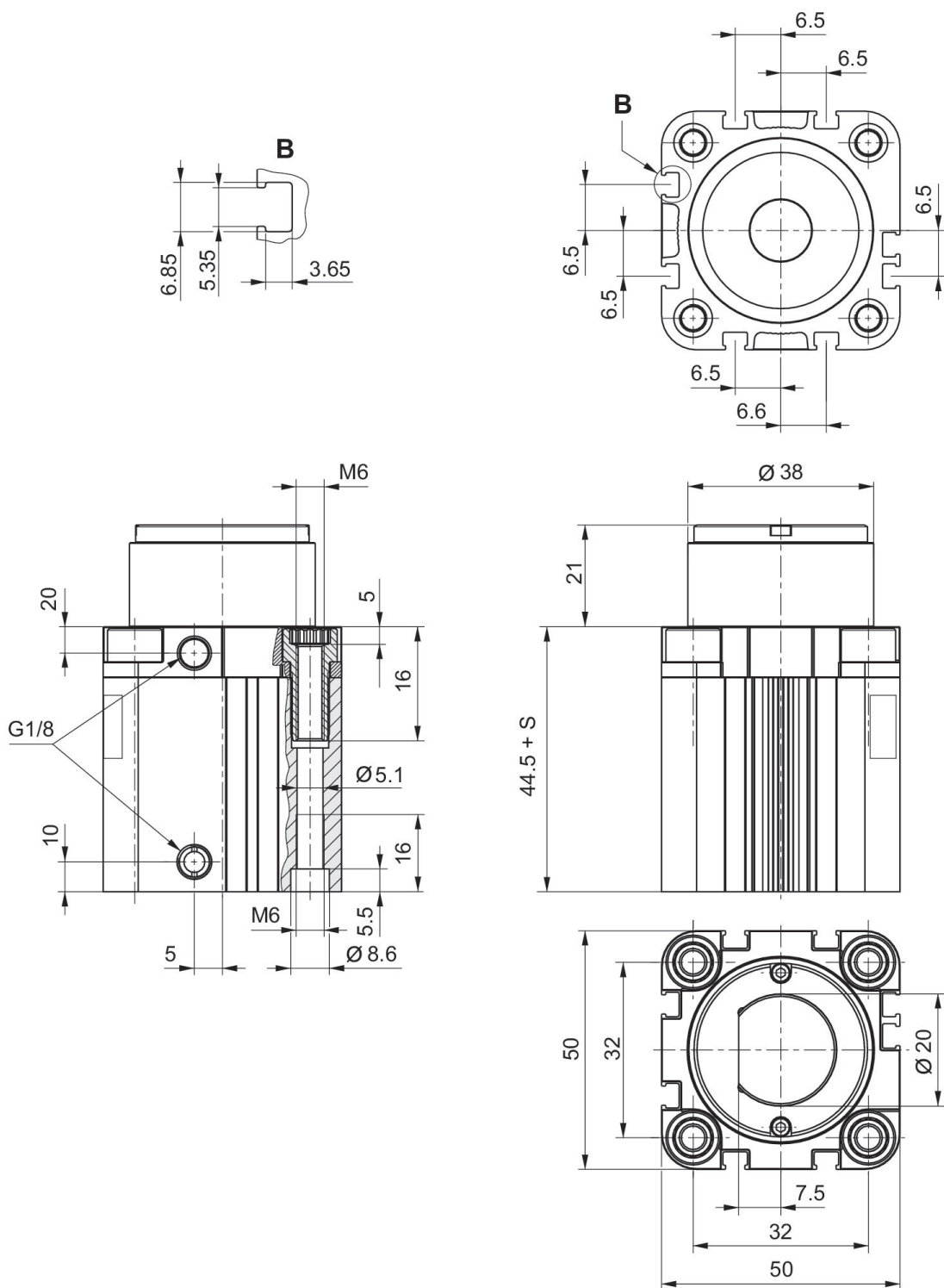
Single-acting, extended without pressure  
Axle pivot version non-rotating



Piston Ø [mm]	Stroke [mm]	Ports	Cushioning	Magnetic piston	Retracting piston force [N]	Extending piston force [N]	Max. permissible radial bearing load [N]	Max. permissible radial bearing load F during switching operation [N]	Part No.
32	15	G 1/8	Elastic cushioning	Piston with magnet	309	507	3270	570	R452000682
32	20	G 1/8	Elastic cushioning	Piston with magnet	309	507	3270	570	R452000685
32	25	G 1/8	Elastic cushioning	Piston with magnet	309	507	3270	570	R452000688



Dimensions in mm



S = stroke

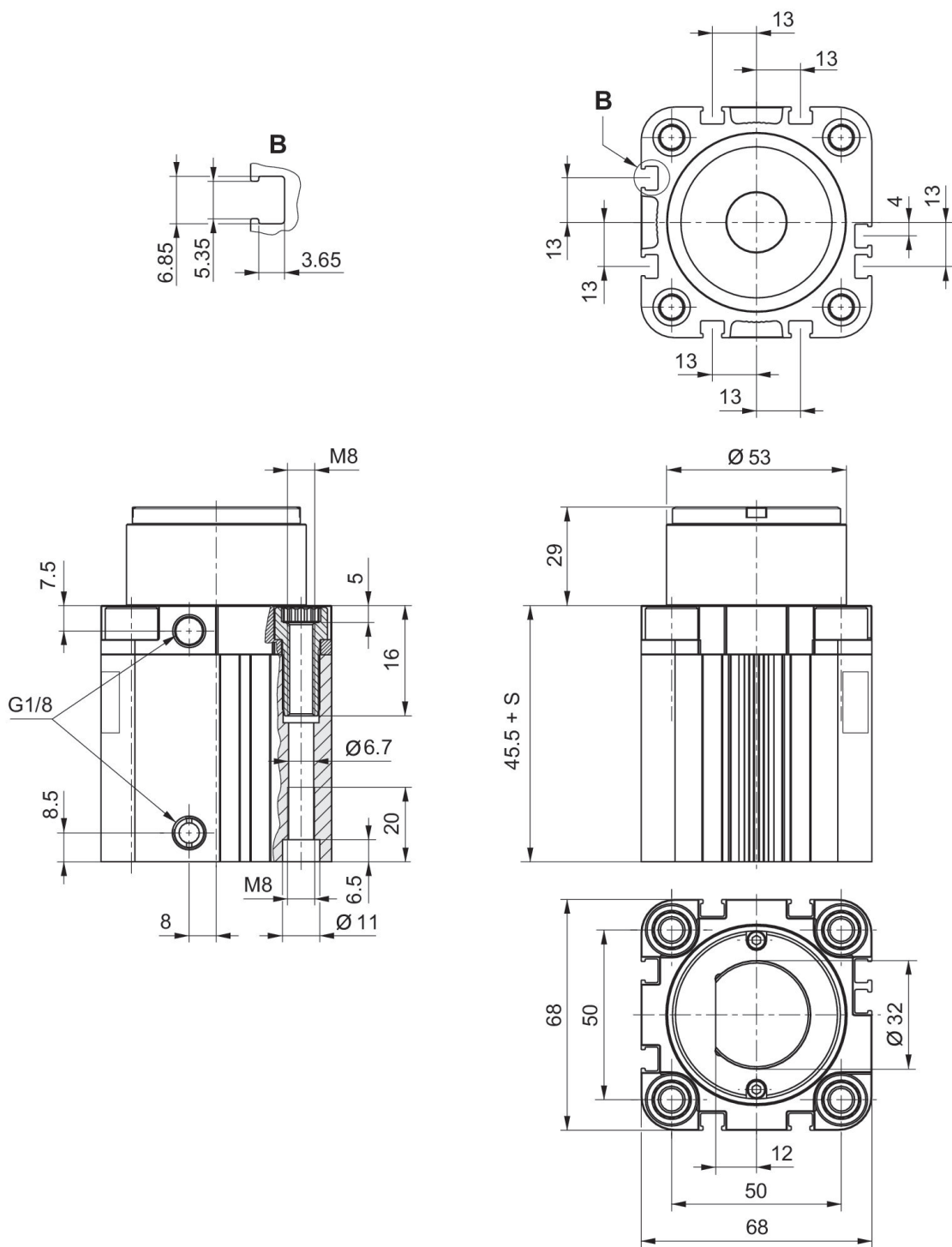
Compact cylinder, Series KPZ-SC

Single-acting, extended without pressure  
Axle pivot version non-rotating



Piston Ø [mm]	Stroke [mm]	Ports	Cushioning	Magnetic piston	Retracting piston force [N]	Extending piston force [N]	Max. permissible radial bearing load [N]	Max. permissible radial bearing load F during switching operation [N]	Part No.
50	20	G 1/8	Elastic cushioning	Piston with magnet	730	1237	6280	1500	R452000691
50	25	G 1/8	Elastic cushioning	Piston with magnet	730	1237	6280	1500	R452000694
50	30	G 1/8	Elastic cushioning	Piston with magnet	730	1237	6280	1500	R452000697

Dimensions in mm



S = stroke

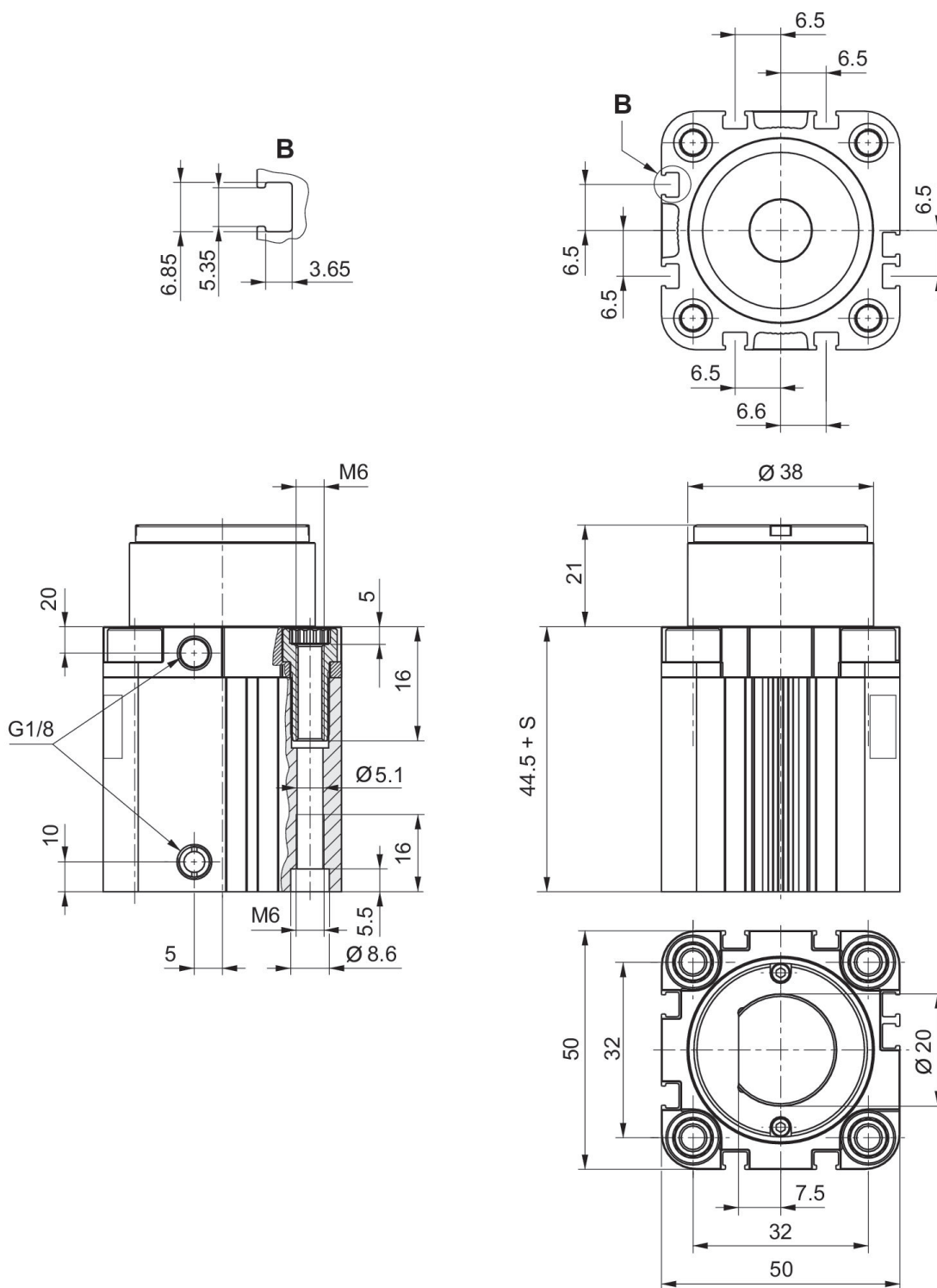
Compact cylinder, Series KPZ-SC

Double-acting  
Axle pivot version  
non-rotating



Piston Ø [mm]	Stroke [mm]	Ports	Cushioning	Magnetic piston	Retracting piston force [N]	Extracting piston force [N]	Max. permissible radial bearing load [N]	Max. permissible radial bearing load F during switching operation [N]	Part No.
32	15	G 1/8	Elastic cushioning	Piston with magnet	309	507	3270	570	R452000700
32	20	G 1/8	Elastic cushioning	Piston with magnet	309	507	3270	570	R452000703
32	25	G 1/8	Elastic cushioning	Piston with magnet	309	507	3270	570	R452000706

Dimensions in mm



S = stroke

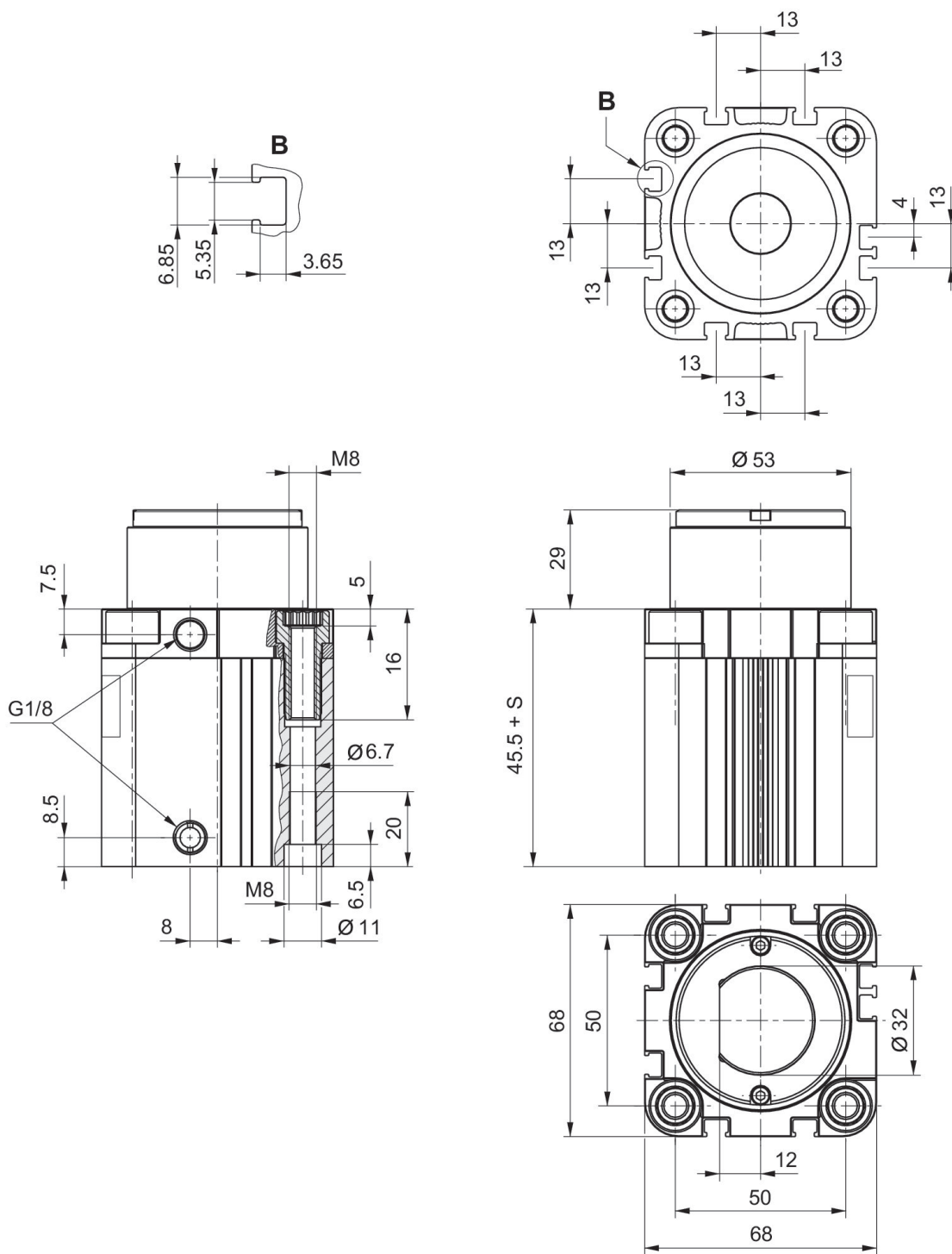
Compact cylinder, Series KPZ-SC

Double-acting  
Axle pivot version  
non-rotating



Piston Ø [mm]	Stroke [mm]	Ports	Cushioning	Magnetic piston	Retracting piston force [N]	Extracting piston force [N]	Max. permissible radial bearing load [N]	Max. permissible radial bearing load F during switching operation [N]	Part No.
50	20	G 1/8	Elastic cushioning	Piston with magnet	730	1237	6280	1500	R452000709
50	25	G 1/8	Elastic cushioning	Piston with magnet	730	1237	6280	1500	R452000712
50	30	G 1/8	Elastic cushioning	Piston with magnet	730	1237	6280	1500	R452000715

Dimensions in mm



S = stroke

Compact cylinder, Series KPZ-SC

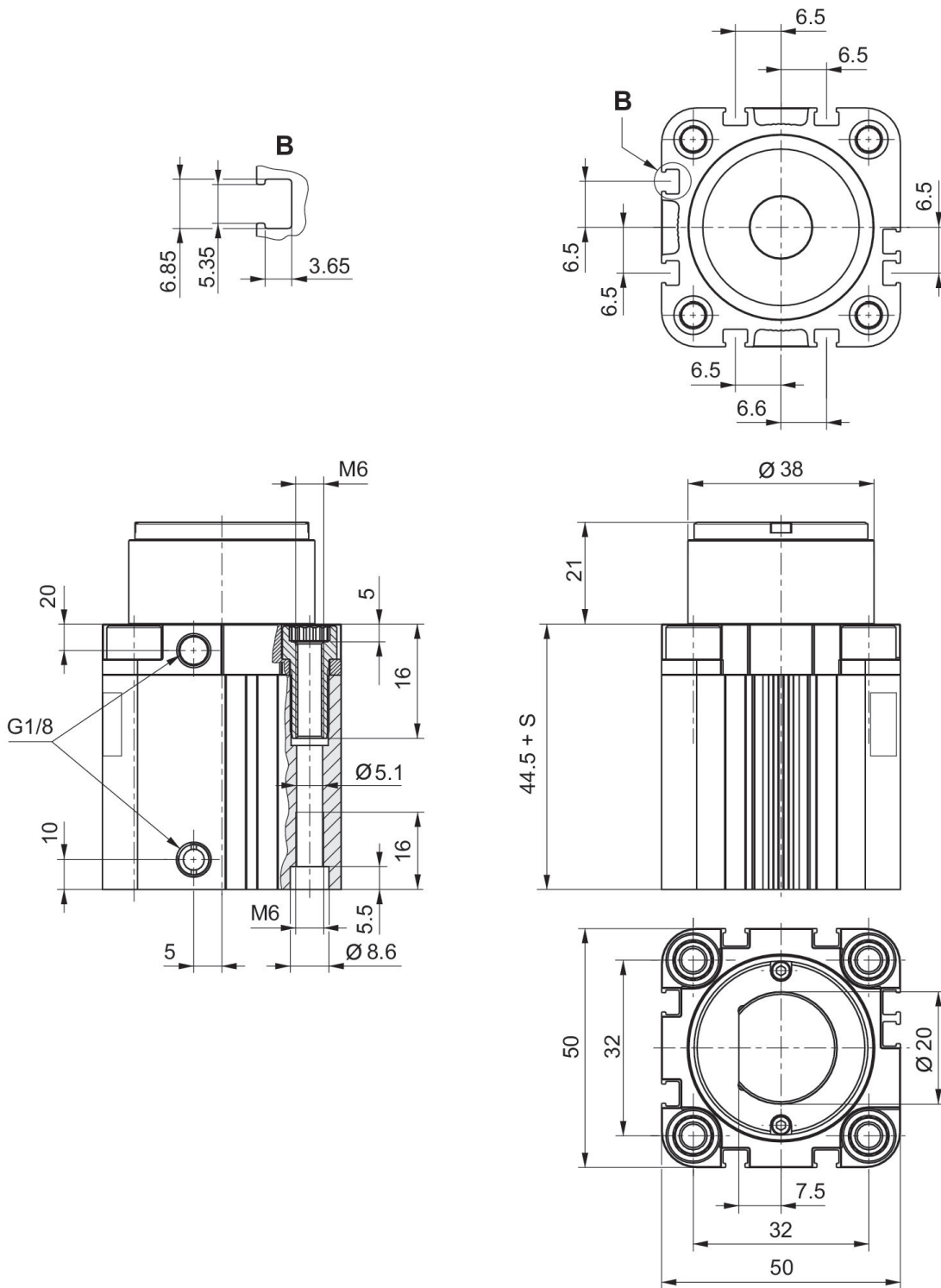
double-acting with spring return,  
extended without pressure  
Axle pivot version  
non-rotating



Piston Ø [mm]	Stroke [mm]	Ports	Cushioning	Magnet-ic piston	Retract-ing piston force [N]	Extract-ing piston force [N]	Max. per-missible radial bearing load [N]	Max. per-missible radial bearing load F during switching operation [N]	Part No.
32	15	G 1/8	Elastic cushioning	Piston with magnet	309	507	3270	570	R452000718
32	20	G 1/8	Elastic cushioning	Piston with magnet	309	507	3270	570	R452000721
32	25	G 1/8	Elastic cushioning	Piston with magnet	309	507	3270	570	R452000724



Dimensions in mm



S = stroke

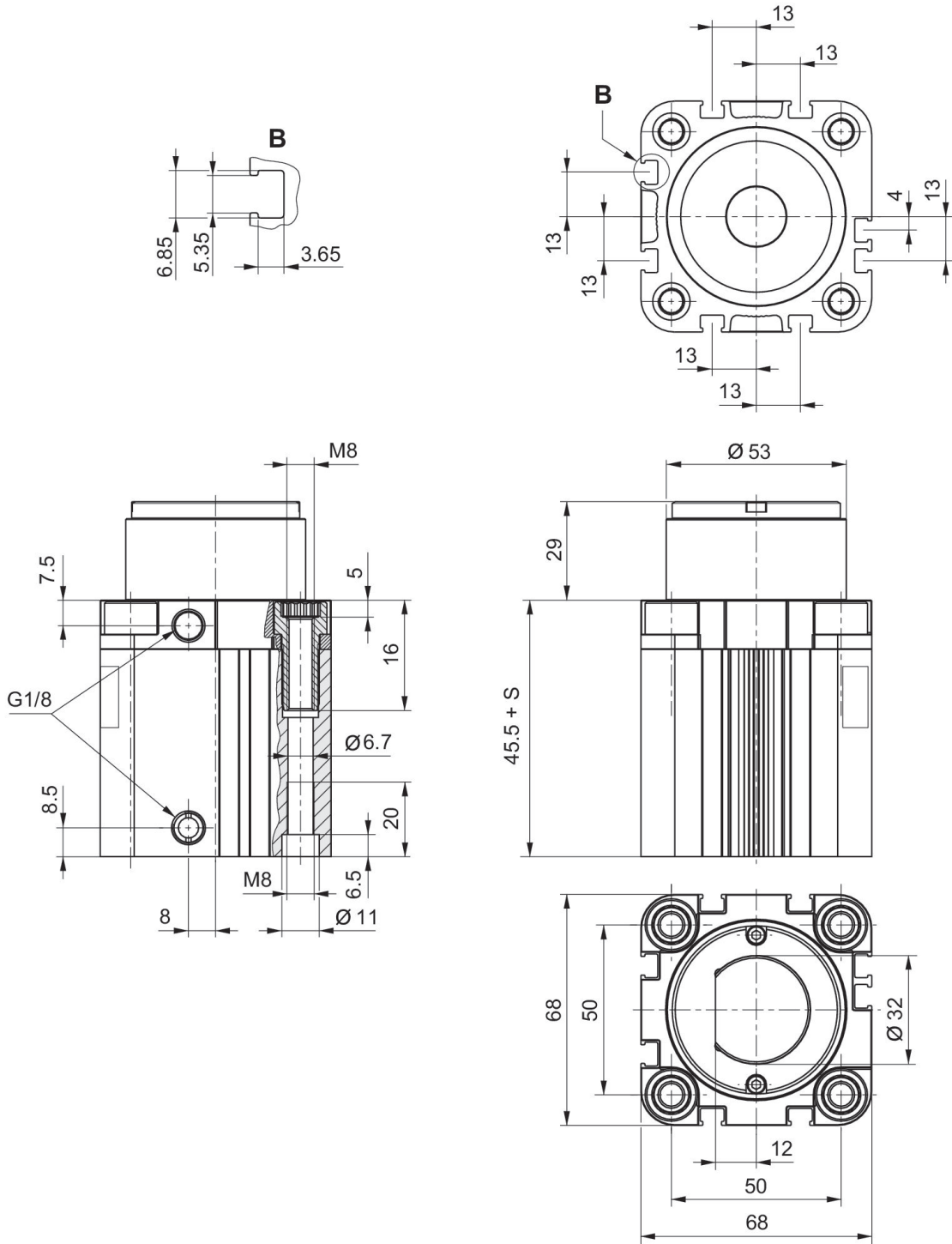
Compact cylinder, Series KPZ-SC

double-acting with spring return,  
extended without pressure  
Axle pivot version  
non-rotating



Piston Ø [mm]	Stroke [mm]	Ports	Cushioning	Magnet-ic piston	Retract-ing piston force [N]	Extract-ing piston force [N]	Max. per-missible radial bearing load [N]	Max. per-missible radial bearing load F during switching operation [N]	Part No.
50	20	G 1/8	Elastic cushioning	Piston with magnet	730	1237	6280	1500	R452000727
50	25	G 1/8	Elastic cushioning	Piston with magnet	730	1237	6280	1500	R452000730
50	30	G 1/8	Elastic cushioning	Piston with magnet	730	1237	6280	1500	R452000733

Dimensions in mm



S = stroke

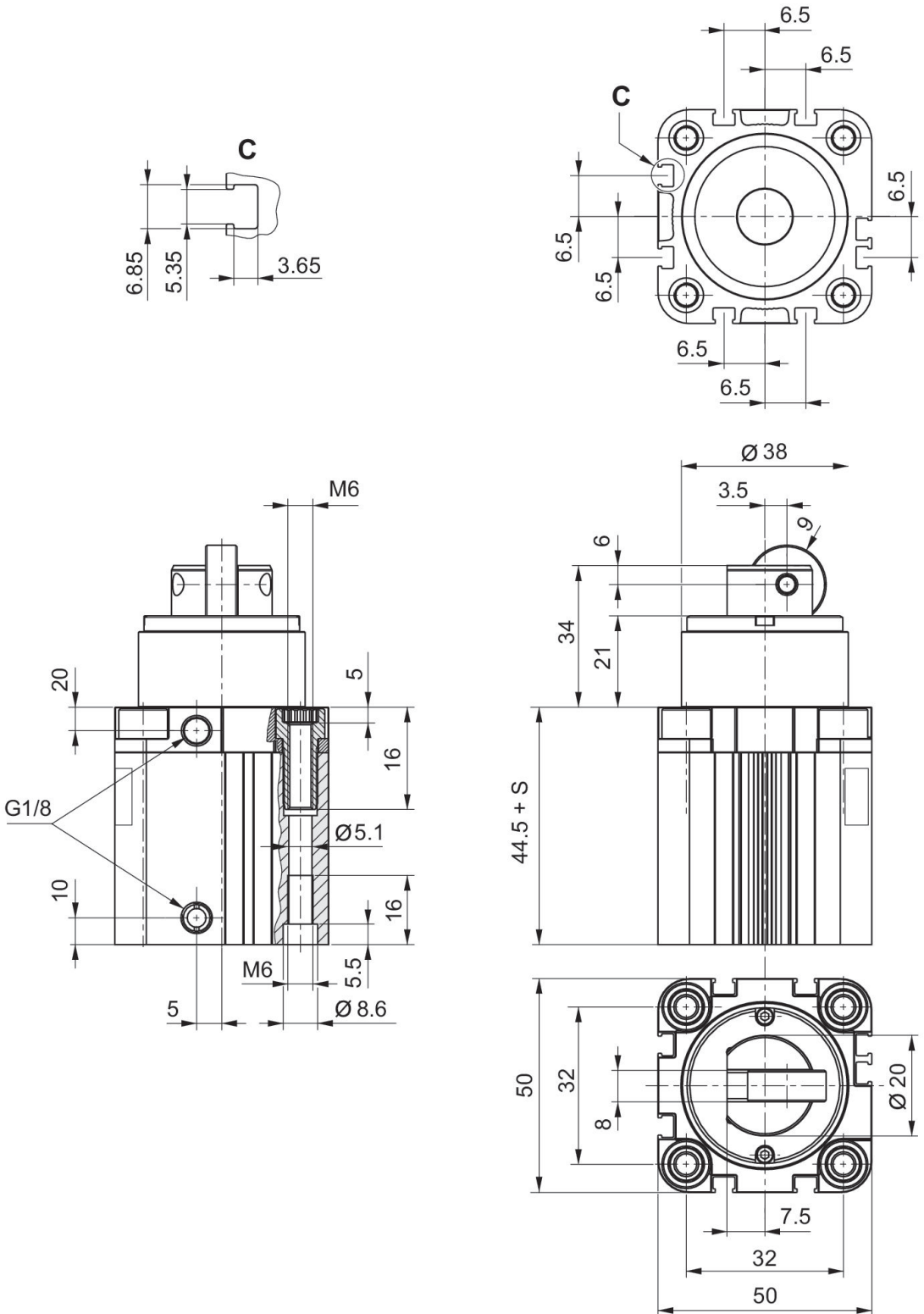
Compact cylinder, Series KPZ-SC

Single-acting, extended without pressure  
roller version  
non-rotating



Piston Ø [mm]	Stroke [mm]	Ports	Cushioning	Magnetic piston	Retracting piston force [N]	Extracting piston force [N]	Max. permissible radial bearing load [N]	Max. permissible radial bearing load F during switching operation [N]	Part No.
32	15	G 1/8	Elastic cushioning	Piston with magnet	309	507	2670	420	R452000683
32	20	G 1/8	Elastic cushioning	Piston with magnet	309	507	2670	420	R452000686
32	25	G 1/8	Elastic cushioning	Piston with magnet	309	507	2670	420	R452000689

Dimensions in mm



S = stroke

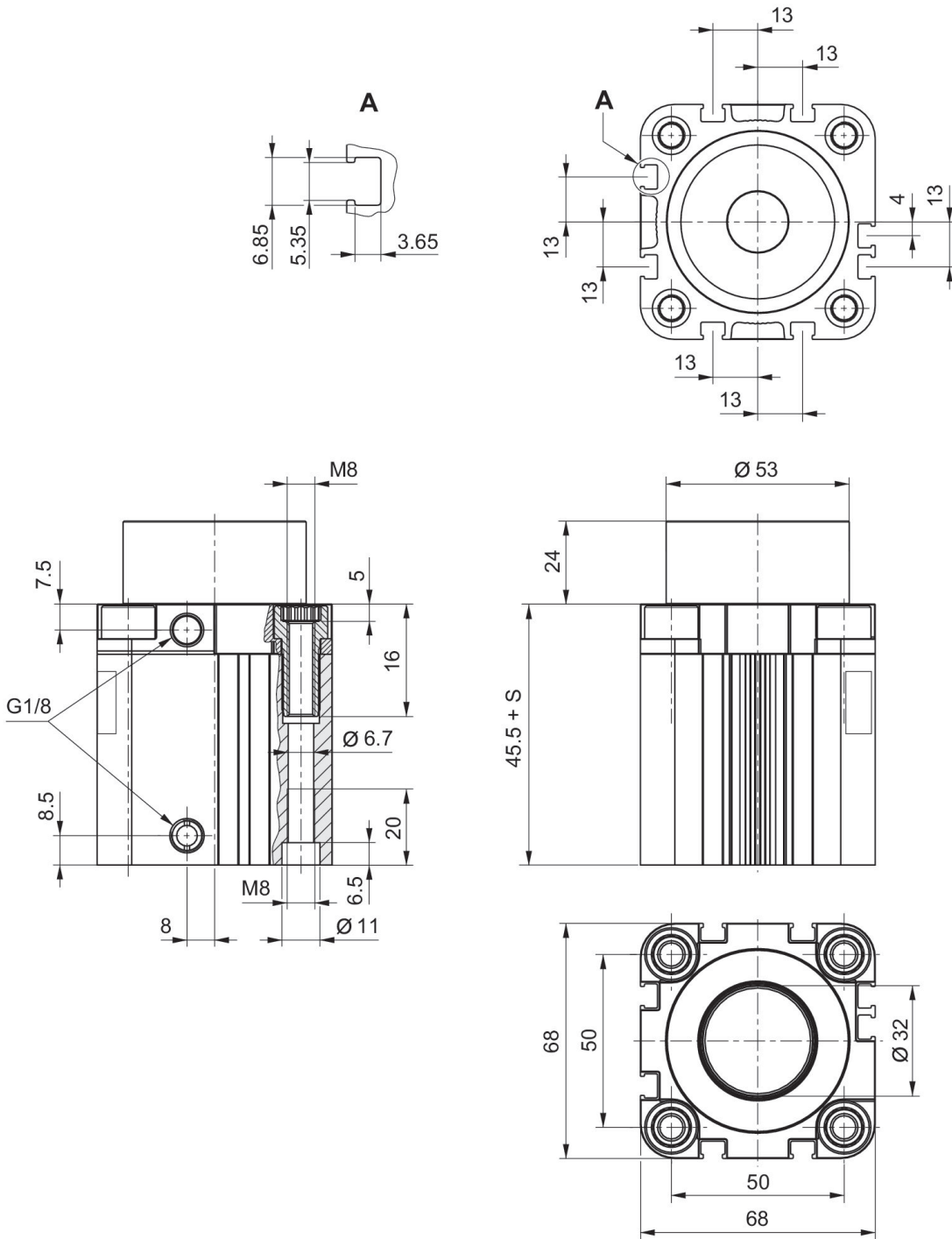
Compact cylinder, Series KPZ-SC

Single-acting, extended without pressure  
Roller version  
non-rotating



Piston Ø [mm]	Stroke [mm]	Ports	Cushioning	Magnetic piston	Retracting piston force [N]	Extracting piston force [N]	Max. permissible radial bearing load [N]	Max. permissible radial bearing load F during switching operation [N]	Part No.
50	20	G 1/8	Elastic cushioning	Piston with magnet	730	1237	5000	1200	R452000692
50	25	G 1/8	Elastic cushioning	Piston with magnet	730	1237	5000	1200	R452000695
50	30	G 1/8	Elastic cushioning	Piston with magnet	730	1237	5000	1200	R452000698

Dimensions in mm



S = stroke

Compact cylinder, Series KPZ-SC

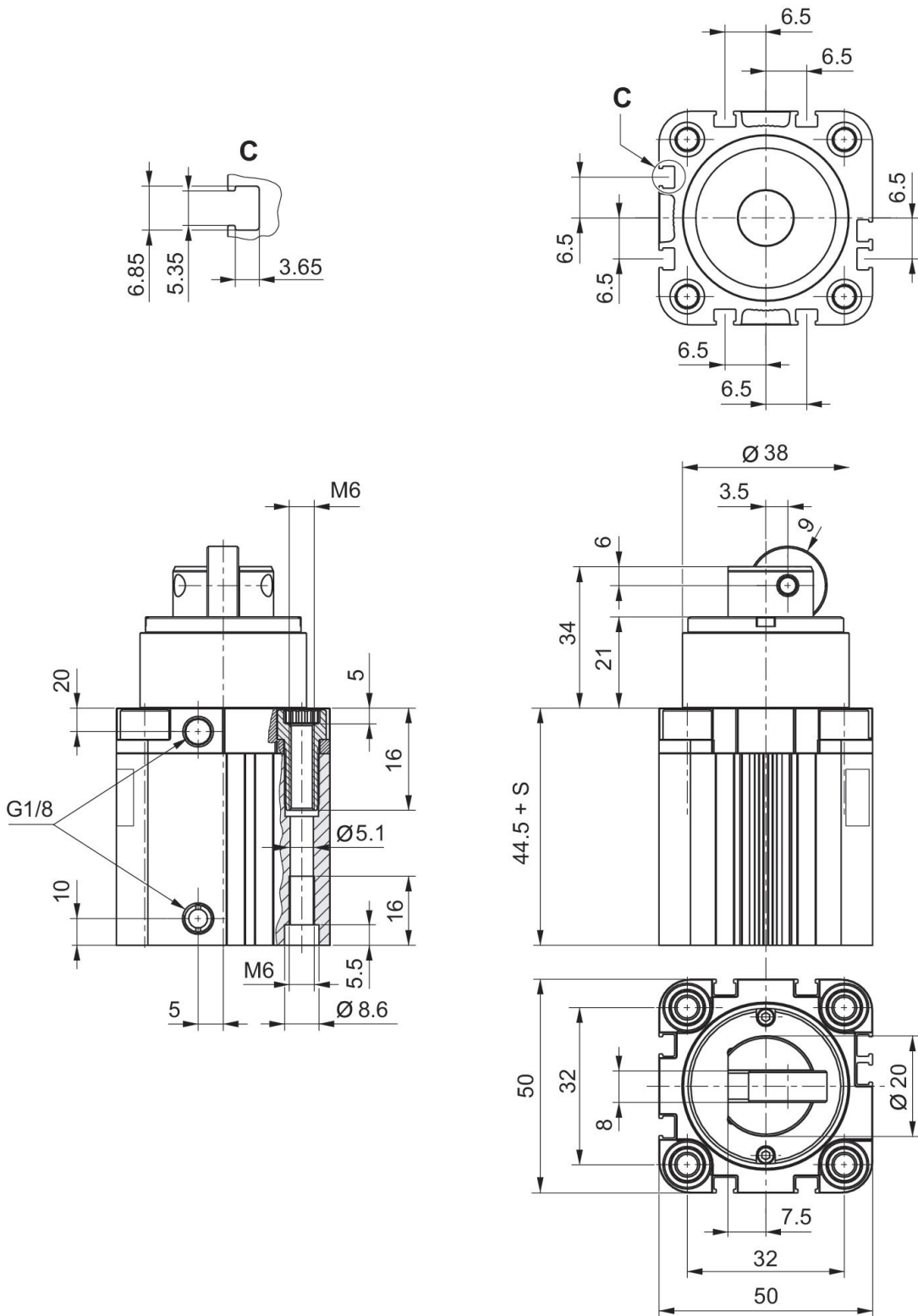
Double-acting  
Roller version  
non-rotating



Piston Ø [mm]	Stroke [mm]	Ports	Cushioning	Magnetic piston	Retracting piston force [N]	Extracting piston force [N]	Max. permissible radial bearing load [N]	Max. permissible radial bearing load F during switching operation [N]	Part No.
32	15	G 1/8	Elastic cushioning	Piston with magnet	309	507	2670	420	R452000701
32	20	G 1/8	Elastic cushioning	Piston with magnet	309	507	2670	420	R452000704
32	25	G 1/8	Elastic cushioning	Piston with magnet	309	507	2670	420	R452000707



Dimensions in mm



S = stroke

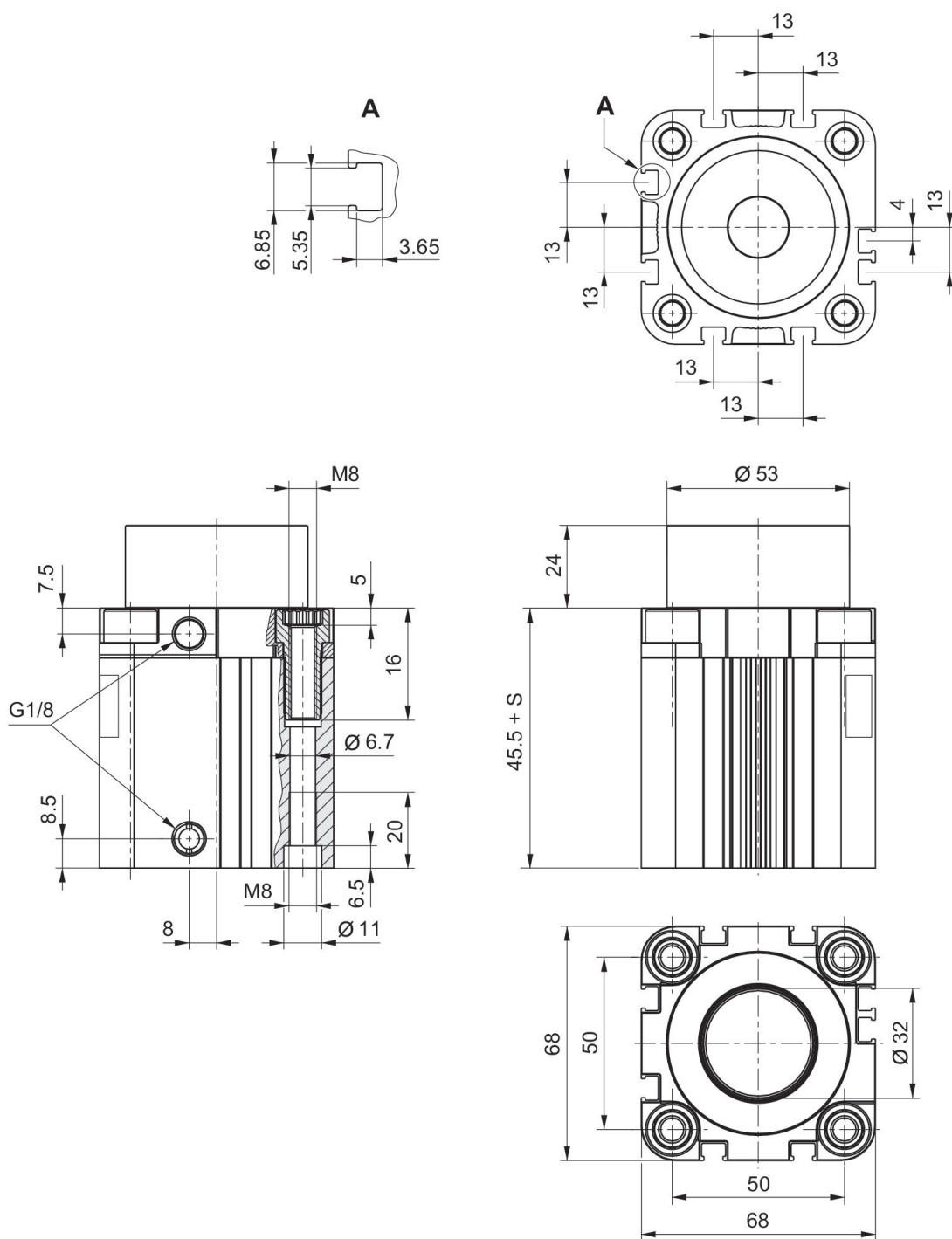
Compact cylinder, Series KPZ-SC

Double-acting  
Roller version  
non-rotating



Piston Ø [mm]	Stroke [mm]	Ports	Cushioning	Magnetic piston	Retracting piston force [N]	Extracting piston force [N]	Max. permissible radial bearing load [N]	Max. permissible radial bearing load F during switching operation [N]	Part No.
50	20	G 1/8	Elastic cushioning	Piston with magnet	730	1237	5000	1200	R452000710
50	25	G 1/8	Elastic cushioning	Piston with magnet	730	1237	5000	1200	R452000713
50	30	G 1/8	Elastic cushioning	Piston with magnet	730	1237	5000	1200	R452000716

Dimensions in mm



S = stroke

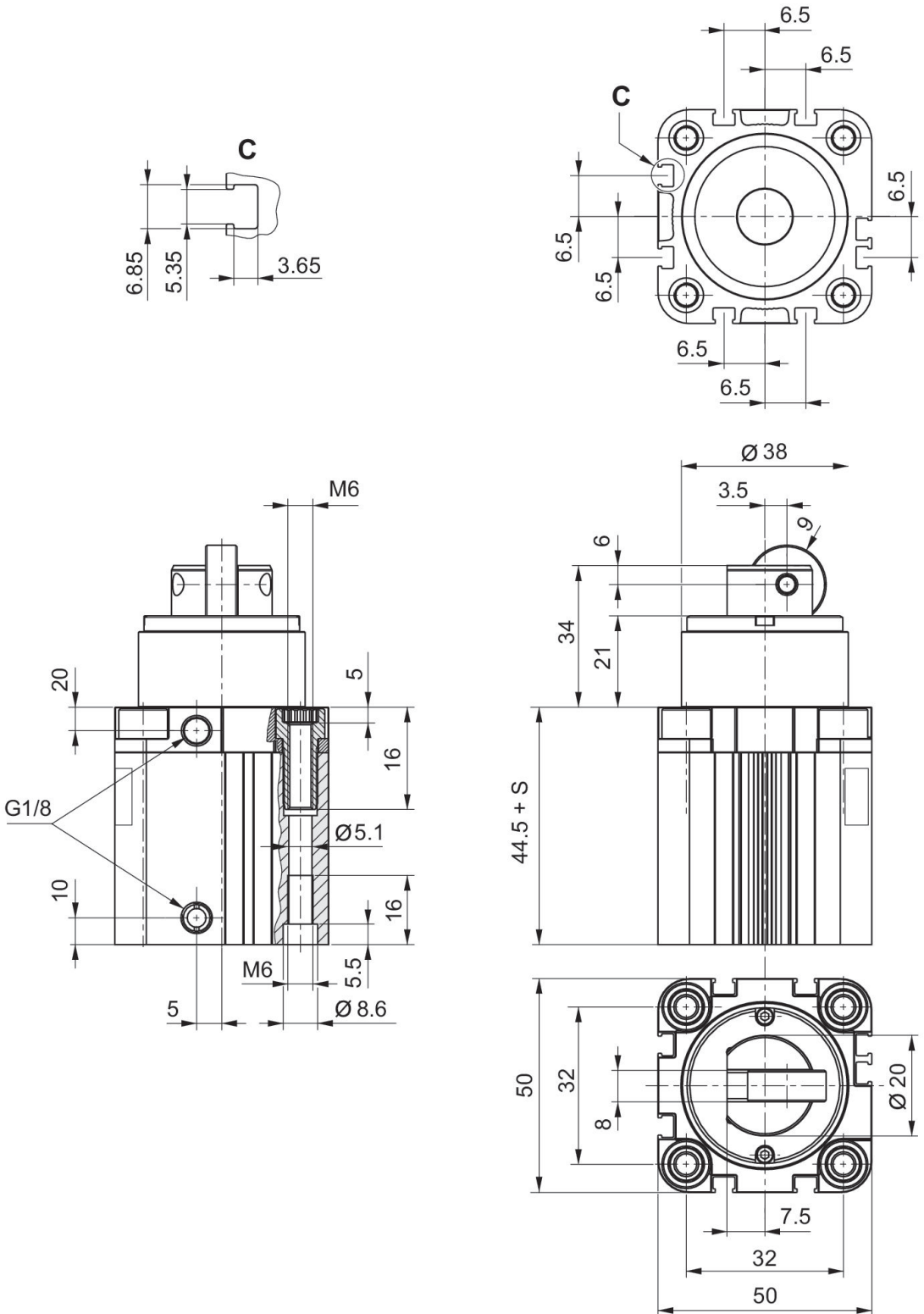
Compact cylinder, Series KPZ-SC

double-acting with spring return,  
extended without pressure  
Roller version  
non-rotating



Piston Ø [mm]	Stroke [mm]	Ports	Cushioning	Magnet-ic piston	Retract-ing piston force [N]	Extract-ing piston force [N]	Max. per-missible radial bearing load [N]	Max. per-missible radial bearing load F during switching operation [N]	Part No.
32	15	G 1/8	Elastic cushioning	Piston with magnet	309	507	2670	420	R452000719
32	20	G 1/8	Elastic cushioning	Piston with magnet	309	507	2670	420	R452000722
32	25	G 1/8	Elastic cushioning	Piston with magnet	309	507	2670	420	R452000725

Dimensions in mm



S = stroke

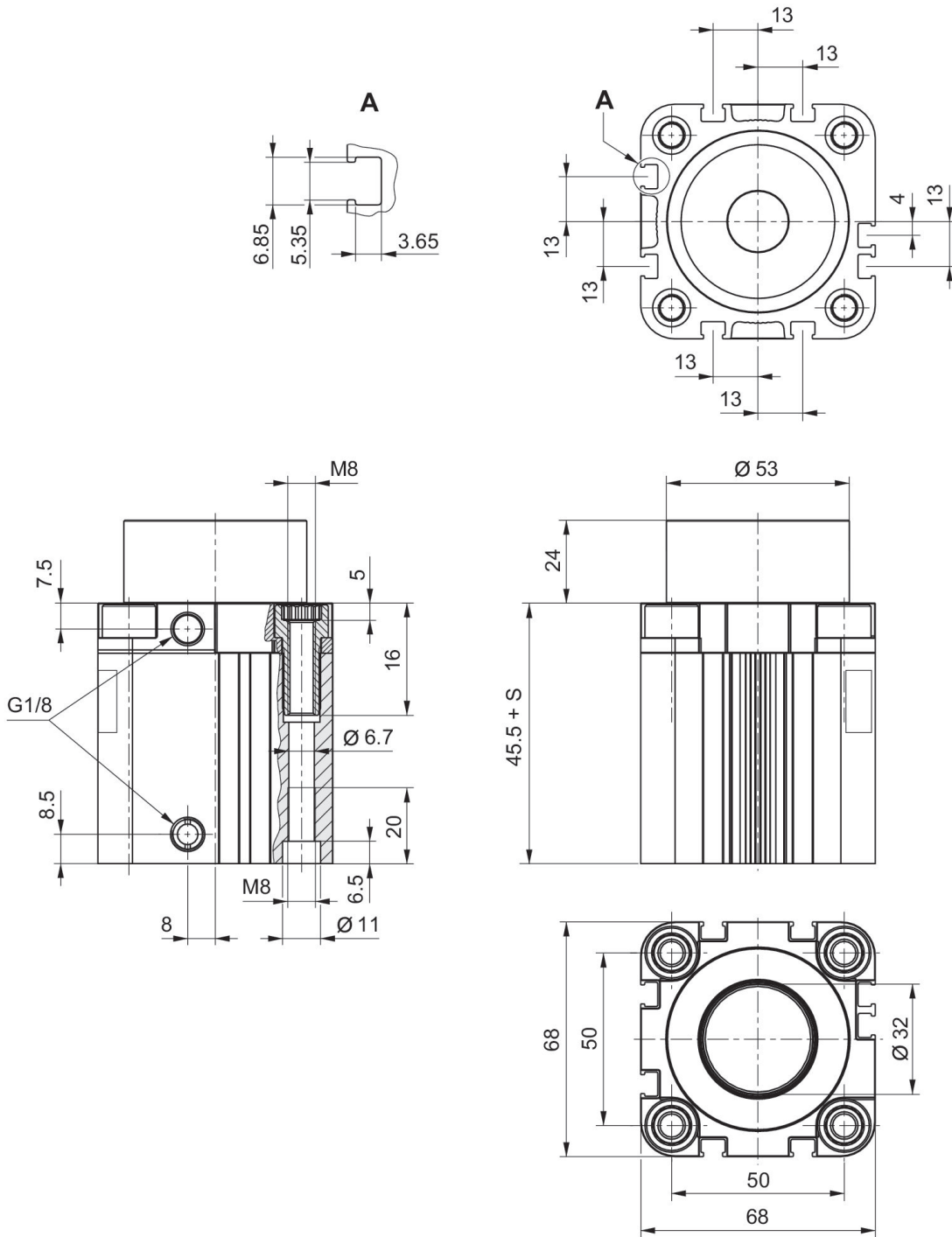
Compact cylinder, Series KPZ-SC

double-acting with spring return,  
extended without pressure  
Roller version  
non-rotating



Piston Ø [mm]	Stroke [mm]	Ports	Cushioning	Magnet-ic piston	Retract-ing piston force [N]	Extract-ing piston force [N]	Max. per-missible radial bearing load [N]	Max. per-missible radial bearing load F during switching operation [N]	Part No.
50	20	G 1/8	Elastic cushioning	Piston with magnet	730	1237	5000	1200	R452000728
50	25	G 1/8	Elastic cushioning	Piston with magnet	730	1237	5000	1200	R452000731
50	30	G 1/8	Elastic cushioning	Piston with magnet	730	1237	5000	1200	R452000734

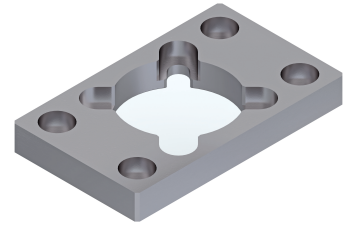
Dimensions in mm



S = stroke

Flange mounting MF1, MF2, Series CM1

KPZ-SC

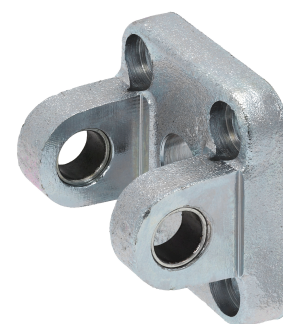


Suitable piston Ø [mm]	Material	Part No.
32	Steel, chrome-plated	R452000830
50	Steel, chrome-plated	R452000831

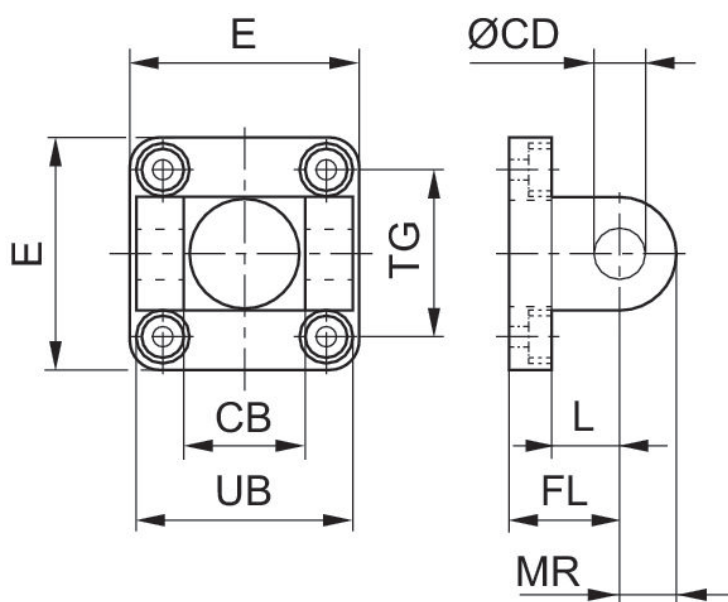


Clevis mounting MP2, Series CM1

KPZ

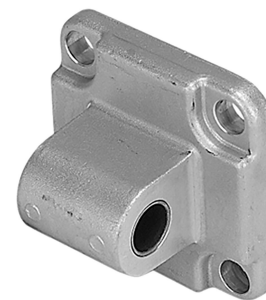


Suitable piston Ø [mm]	Swivel bearing Ø [mm]	Material	Part No.
32	10	Steel, chrome-plated	1827002302
50	12	Steel, chrome-plated	1827002304

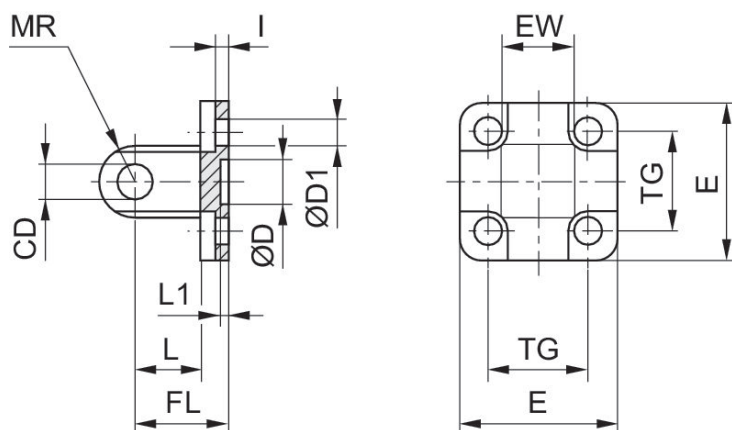


Piston Ø	Part No.	CB H14	Ø CD H9	E	FL ±0.2	L min.	MR max.	UB h13	TG
32	1827002302	26	10	48	22	13	10	45	32 ±0.5
40	1827002303	28	12	58	25	16	12.5	52	42 ±0.5
50	1827002304	32	12	66	27	16	12.5	60	50 ±0.6
63	1827002305	40	16	83	32	21	15	70	62 ±0.6
80	1827002306	50	16	102	36	23	15	90	82 ±0.7
100	1827002307	60	20	123	41	26	20	110	103 ±0.7

Rear eye MP4-HD, Series CM1



Piston diameter [mm]	Swivel bearing Ø [mm]	Standardization	Part No.
32	10	ISO 15552	1827001283
50	12	ISO 15552	1827001285



Piston Ø	Part No.	CD H9	Ø D	Ø D1	E	EW	FL ±0,2	l ±0,5	L min.	L1 min.
16	1825805368	6	10 H13	4.5	27	12 -0.2/-0.6	16	2.6	10	3
20	1827002300	8	12 H13	5.5	34	16 -0.2/-0.6	20	2.6	14	3
25	1827002301	8	12 H13	5.5	40	16 -0.2/-0.6	20	2.6	14	3
32	1827001283	10	30 H11	6.6	47.5	26 -0.2/-0.6	22	5.5	12	4.5
40	1827001284	12	35 H11	6.6	53.5	28 -0.2/-0.6	25	5.5	15	4.5
50	1827001285	12	40 H11	9	64	32 -0.2/-0.6	27	6.5	15	4.5
63	1827020086	16	45 H11	9	74	40 -0.2/-0.6	32	6.5	20	4.5
80	1827001287	16	45 H11	11	94	50 -0.2/-0.6	36	10	20	4.5
100	1827001288	20	55 H11	11	113.5	60 -0.2/-0.6	41	10	25	4.5
125	1827004866	25	60 H11	14	138	70 -0.5/-1.2	50	10	30	7
160	1827004867	30	65 H11	18	180	90 -0.5/-1.2	55	10	35	7
200	1827004868	30	75 H11	18	220	90 -0.5/-1.2	60	11	35	7
250	1827004869	40	90 H11	22	280	110 -0.5/-1.2	70	11	45	11
320	5239813412	45	110 H11	26	350	120 -0.5/-1.2	80	15	50	11

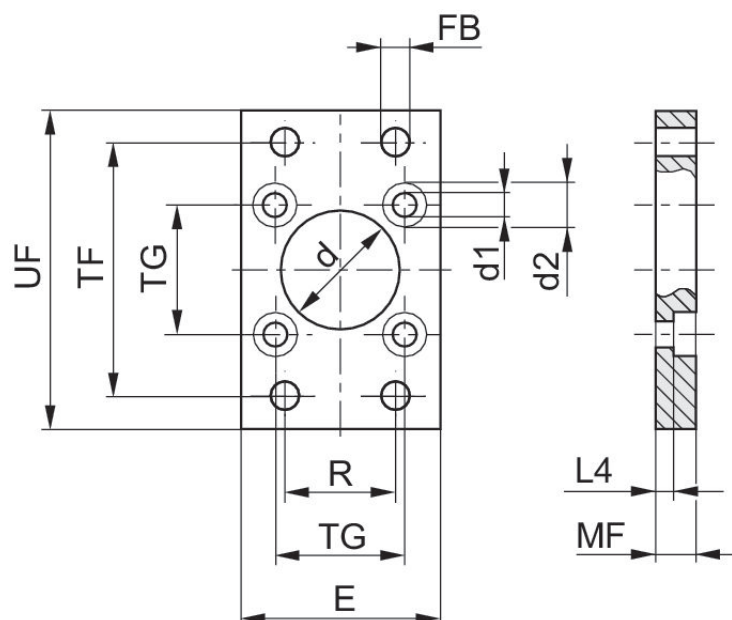
Piston Ø	MR max.	TG
16	6	18 ±0.2
20	8	22 ±0.4
25	8	26 ±0.4
32	10	32.5 ±0.2
40	12	38 ±0.2
50	12	46.5 ±0.2
63	16	56.5 ±0.2
80	16	72 ±0.2
100	20	89 ±0.2
125	26	110 ±0.3
160	31	140 ±0.3
200	31	175 ±0.3
250	41	220 ±0.3
320	45	270 ±0.3

Flange mounting MF1, MF2, Series CM1



Suitable piston Ø [mm]	Material	Part No.
32	Steel, chrome-plated	1827002294
50	Steel, chrome-plated	1827002296

Dimensions



Piston Ø	Part No.	Ød H11	Ød1	Ød2	E 1)	ØFB	L4	MF	R	TF
32	1827002294	14	6.6	11	50	7	3.6	10	32	65
40	1827002295	14	6.6	11	60	9	3.6	10	36	82
50	1827002296	18	9	15	66	9	3.4	12	45	90
63	1827002297	18	9	15	87	9	6.4	15	50	110
80	1827002298	23	11	18	107	12	4.4	15	63	135
100	1827002299	28	11	18	128	14	4.4	15	75	163

Piston Ø	TG	UF
32	32	80
40	42	102

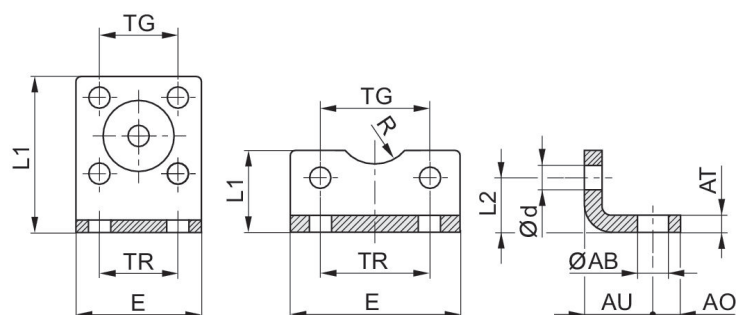
Piston Ø	TG	UF
50	50	110
63	62	130
80	82	160
100	103	190

1) Max.

Foot mounting MS1, Series CM1



Piston diameter [mm]	for series	Material	Part No.
32	KPZ	Steel, chrome-plated	1827002286
50	KPZ	Steel, chrome-plated	1827002288



Ø16

Ø20 - 320

Piston Ø	Part No.	ØAB	AO	AT	AU ±0,2	Ød	E	L1	L2	R
16	1821332053	5.5	5	3	13	4.5	29	35.5	13	8
20	1827002284	6.6	6	4	16	5.4	36	22	16	10
25	1827002285	6.6	6	4	16	5.4	40	23	17	11
25	3682202000	7	8	4	22	5.5	40	21	11.5	13.5
32	1827002286	6.6	8	5	18	6.6	50	24	16	-
32	1827001271	7	8	4 ±0,3	24	6.6	48	25	15.5	15
32	3662203000	7	8	5	24	5.5	47	26	16	15
40	1827002287	9	8	5	20	6.6	60	29.5	21.5	-
40	1827001272	10	10	4 ±0,3	28	6.6	56	26	17	17.5
40	3662204000	9	11	5	31	6.6	56	28	16	20
50	1827002288	9	8	6	24	9	68	30	22	-
50	1827001273	10	11	5 ±0,3	32	9	68	32	21.5	20
50	3662205000	9	12	6	33	6.6	63	35	22	23
63	1827002289	11	12	6	27	9	84	39	28.5	-
63	1827001498	10	13	5 ±0,3	32	9	78	34	21.5	22.5
63	3662206000	9	12	6	36	9	81	40	20.5	23

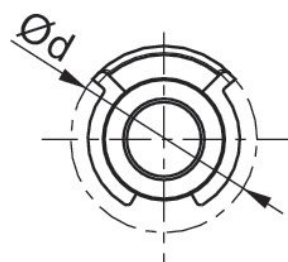
Piston Ø	Part No.	ØAB	AO	AT	AU ±0,2	Ød	E	L1	L2	R
80	1827002290	11	12	8	30	11	102	36.5	24.5	–
80	1827001275	12	16	6 ±0,5	41	11	98	47	27	22.5
80	3662208000	12	15	8	43	9	95	45	26.5	26
100	1827002291	13.5	12	8	33	11	123	38.5	26.5	–
100	1827001276	14.5	19	6 ±0,5	41	11	117	52	26.5	27.5
100	3662210000	14	17	10	43	11	115	50	26	32
125	1827001310	16.5	20	8 ±1,0	45	13.5	144	69	35	30
160	1827001457	18.5	23	10 ±1,0	60	17.5	185	100	45	32.5
200	1827001458	24	26	12 ±1,0	70	17.5	220	120	47.5	37.5
250	1827001459	28	33	20 ±1,0	75	22	280	135	55	45
320	5239010502	35	45	23 ±1,0	85	26	350	200	65	55

Piston Ø	TG	TR
16	18 ±0,2	18
20	22 ±0,2	22
25	26 ±0,2	26
25	27	26
32	32	32
32	32,5 ±0,2	32
32	32	32
40	42	42
40	38 ±0,2	36
40	40	36
50	50	50
50	46,5 ±0,2	45
50	46	45
63	62	62
63	56,5 ±0,2	50
63	59	50
80	82	82
80	72 ±0,2	63
80	73	63
100	103	103
100	89 ±0,2	75
100	90	75
125	110 ±0,3	90
160	140 ±0,3	115
200	175 ±0,3	135
250	220 ±0,3	165
320	270 ±0,3	200

Bolts AA4, Series CM1



Piston diameter [mm]	Material	Surface	Part No.
32	Steel, chrome-plated	galvanized	1823120020
50	Steel, chrome-plated	galvanized	1823120022

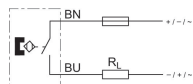
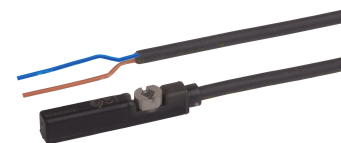


Piston Ø	Part No.	Ø d max.	EK e8	EL	L max.	L6 max.
32	1823120020	20	10	45.2 +0,3	3.5	9
40	1823120021	22	12	52.2 +0,3	4	9
50	1823120022	22	12	60.2 +0,3	4	9
63	1823120023	28	16	70.2 +0,3	4.5	11
80	1823120024	28	16	90.2 +0,3	4.5	11
100	1823120025	38	20	110.2 +0,3	5	11



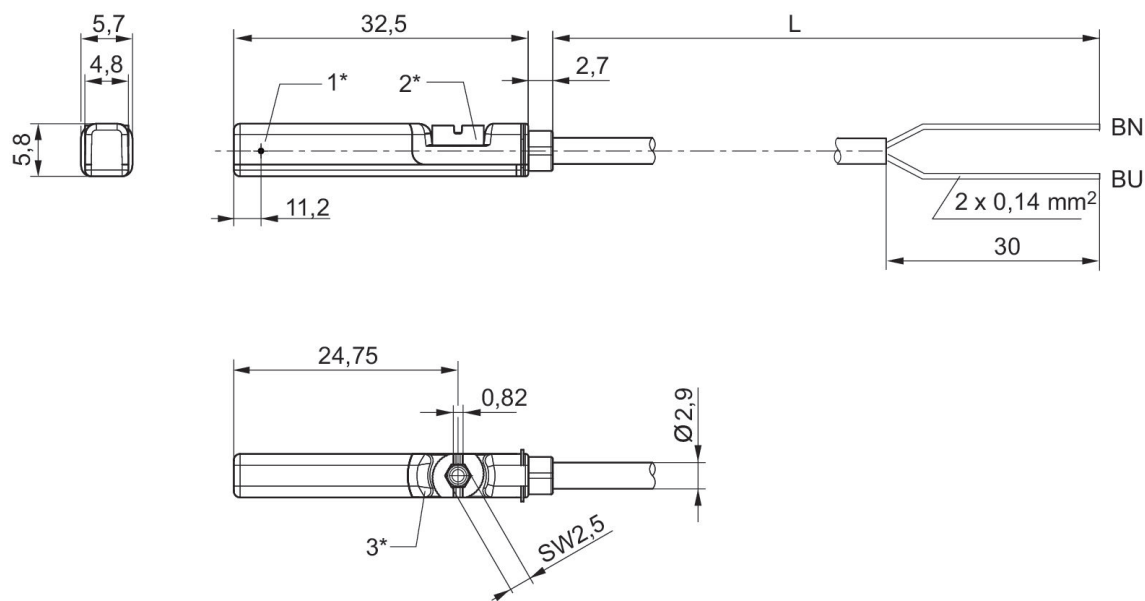
Sensor, Series ST6

PRA  
PRE  
CCI  
KPZ  
SSI  
GPC  
CVI  
without wire end ferrule, tin-plated



Direct mounting for series	Indirect mounting for series	Slot width	Type of contact	Electrical connection number of poles	Part No.
PRA, PRE, CCI, KPZ, SSI, GPC, CVI	TRB, ITS, CCL-IS, MNI, CSL-RD, RPC, ICS-D2, ICM, KHZ, TRR	6 mm T-slot	Reed	2-pin	R412022866
PRA, PRE, CCI, KPZ, SSI, GPC, CVI	TRB, ITS, CCL-IS, MNI, CSL-RD, RPC, ICS-D2, ICM, KHZ, TRR	6 mm T-slot	Reed	2-pin	R412027170

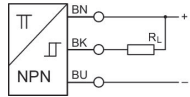
Dimensions



1\* = switching point 2\* = locking screw 3\* = LED window, transparent  
L = cable length BN=brown, BU=blue

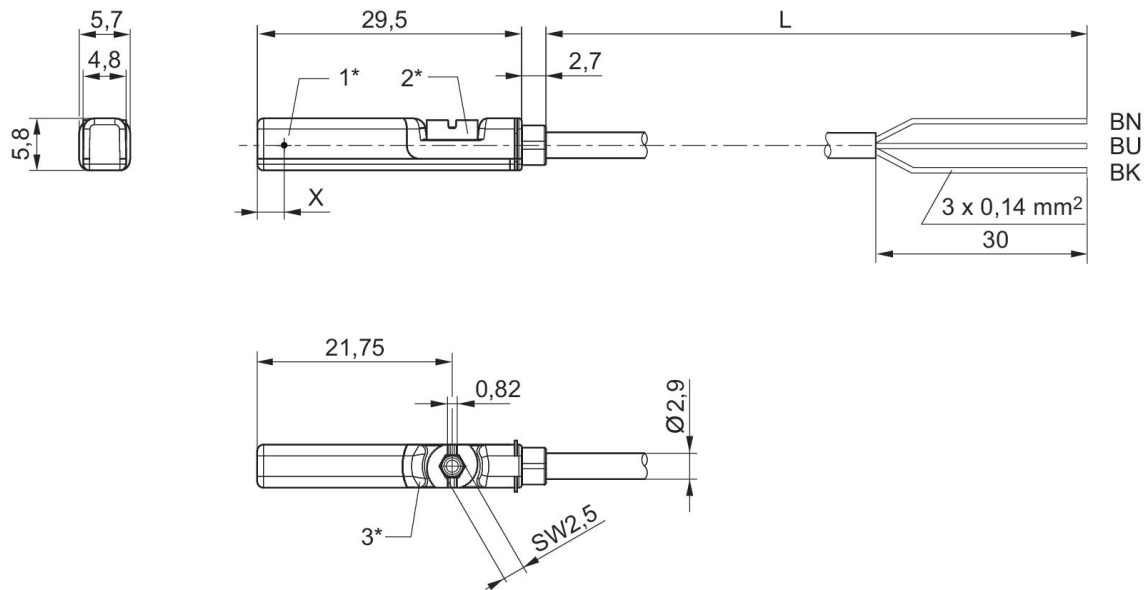
Sensor, Series ST6

PRA  
PRE  
CCI  
KPZ  
SSI  
GPC  
CVI  
without wire end ferrule, tin-plated



Direct mounting for series	Indirect mounting for series	Slot width	Type of contact	Electrical connection number of poles	Part No.
PRA, PRE, CCI, KPZ, SSI, GPC, CVI	TRB, ITS, CCL-IS, MNI, CSL-RD, RPC, ICS-D2, ICM, KHZ, TRR	6 mm T-slot	NPN	3-pin	R412022849
PRA, PRE, CCI, KPZ, SSI, GPC, CVI	TRB, ITS, CCL-IS, MNI, CSL-RD, RPC, ICS-D2, ICM, KHZ, TRR	6 mm T-slot	NPN	3-pin	R412022850

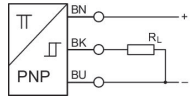
Dimensions



1\* = switching point 2\* = locking screw 3\* = LED window, transparent  
L = cable length BN = brown, BK = black, BU = blue  
X = electronic: 11.6 mm

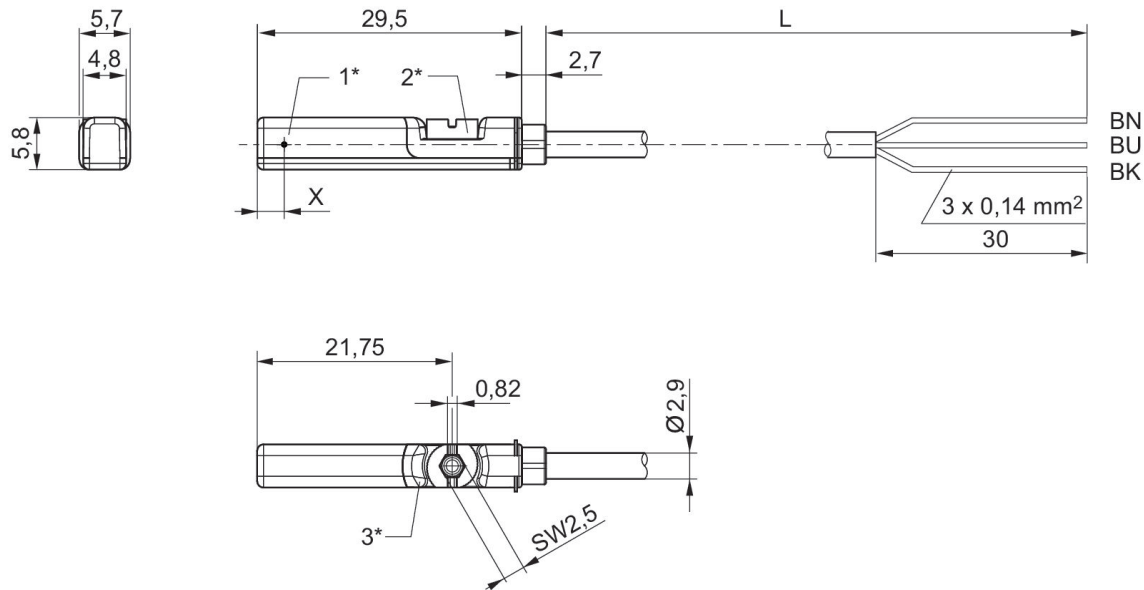
Sensor, Series ST6

PRA  
PRE  
CCI  
KPZ  
SSI  
GPC  
CVI  
without wire end ferrule, tin-plated



Direct mounting for series	Indirect mounting for series	Slot width	Type of contact	Electrical connection number of poles	Part No.
PRA, PRE, CCI, KPZ, SSI, GPC, CVI	TRB, ITS, CCL-IS, MNI, CSL-RD, RPC, ICS-D2, ICM, KHZ, TRR	6 mm T-slot	electronic PNP	3-pin	R412022853
PRA, PRE, CCI, KPZ, SSI, GPC, CVI	TRB, ITS, CCL-IS, MNI, CSL-RD, RPC, ICS-D2, ICM, KHZ, TRR	6 mm T-slot	electronic PNP	3-pin	R412022855
PRA, PRE, CCI, KPZ, SSI, GPC, CVI	TRB, ITS, CCL-IS, MNI, CSL-RD, RPC, ICS-D2, ICM, KHZ, TRR	6 mm T-slot	electronic PNP	3-pin	R412022857

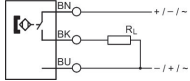
Dimensions



1\* = switching point 2\* = locking screw 3\* = LED window, transparent  
L = cable length BN = brown, BK = black, BU = blue  
X = electronic: 11.6 mm

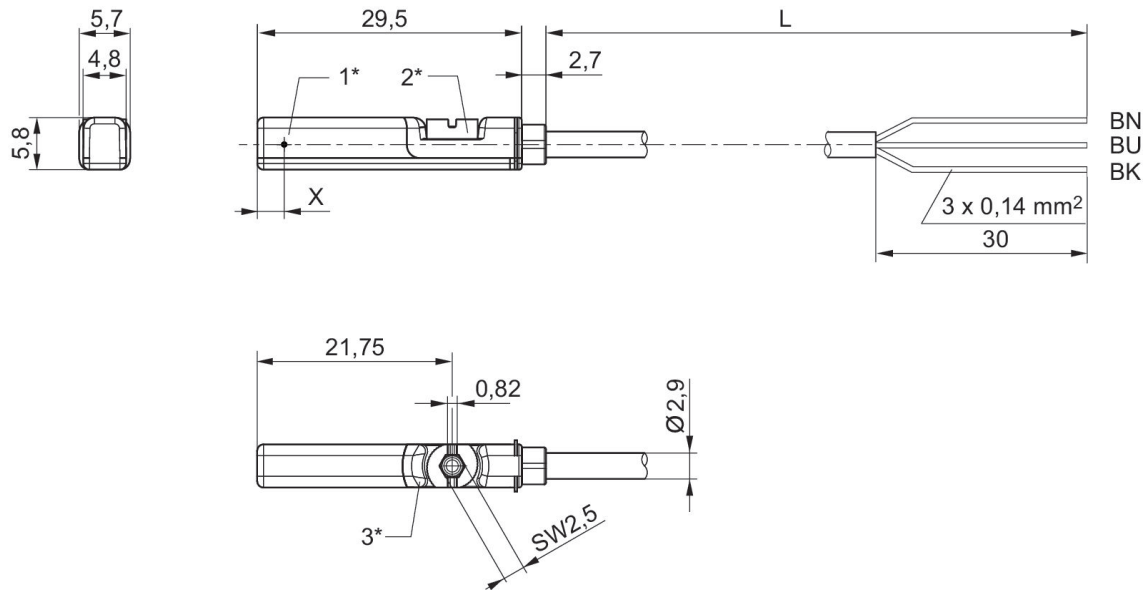
Sensor, Series ST6

PRA  
PRE  
CCI  
KPZ  
SSI  
GPC  
CVI  
without wire end ferrule, tin-plated



Direct mounting for series	Indirect mounting for series	Slot width	Type of contact	Electrical connection number of poles	Part No.
PRA, PRE, CCI, KPZ, SSI, GPC, CVI	TRB, ITS, CCL-IS, MNI, CSL-RD, RPC, ICS-D2, ICM, KHZ, TRR	6 mm T-slot	Reed	3-pin	R412022869
PRA, PRE, CCI, KPZ, SSI, GPC, CVI	TRB, ITS, CCL-IS, MNI, CSL-RD, RPC, ICS-D2, ICM, KHZ, TRR	6 mm T-slot	Reed	3-pin	R412022870
PRA, PRE, CCI, KPZ, SSI, GPC, CVI	TRB, ITS, CCL-IS, MNI, CSL-RD, RPC, ICS-D2, ICM, KHZ, TRR	6 mm T-slot	Reed	3-pin	R412022871

Dimensions



1\* = switching point 2\* = locking screw 3\* = LED window, transparent  
L = cable length BN = brown, BK = black, BU = blue  
X = electronic: 11.6 mm

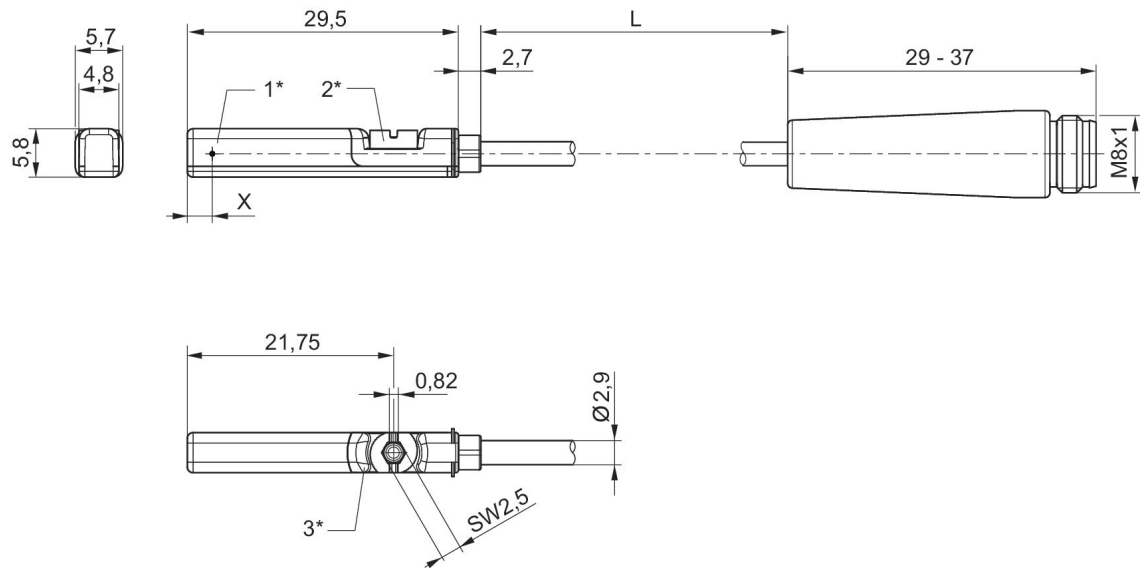
Sensor, Series ST6

PRA  
PRE  
CCI  
KPZ  
SSI  
GPC  
CVI  
Plug  
M8



Direct mounting for series	Indirect mounting for series	Slot width	Type of contact	Electrical connection size	Electrical connection number of poles	Part No.
PRA, PRE, CCI, KPZ, SSI, GPC, CVI	TRB, ITS, CCL-IS, MNI, CSL-RD, RPC, ICS-D2, ICM, KHZ, TRR	6 mm T-slot	Reed	M8x1	3-pin	R412022868
PRA, PRE, CCI, KPZ, SSI, GPC, CVI	TRB, ITS, CCL-IS, MNI, CSL-RD, RPC, ICS-D2, ICM, KHZ, TRR	6 mm T-slot	Reed	M8x1	2-pin	R412027172
PRA, PRE, CCI, KPZ, SSI, GPC, CVI	TRB, ITS, CCL-IS, MNI, CSL-RD, RPC, ICS-D2, ICM, KHZ, TRR	6 mm T-slot	Reed	M8x1	3-pin	R412022872
PRA, PRE, CCI, KPZ, SSI, GPC, CVI	TRB, ITS, CCL-IS, MNI, CSL-RD, RPC, ICS-D2, ICM, KHZ, TRR	6 mm T-slot	electronic PNP	M8x1	3-pin	R412022858
PRA, PRE, CCI, KPZ, SSI, GPC, CVI	TRB, ITS, CCL-IS, MNI, CSL-RD, RPC, ICS-D2, ICM, KHZ, TRR	6 mm T-slot	NPN	M8x1	3-pin	R412022851

Dimensions



1\* = switching point 2\* = locking screw 3\* = LED window, transparent  
 L = cable length  
 X = electronic: 11,6 mm, Reed: 8,3 mm

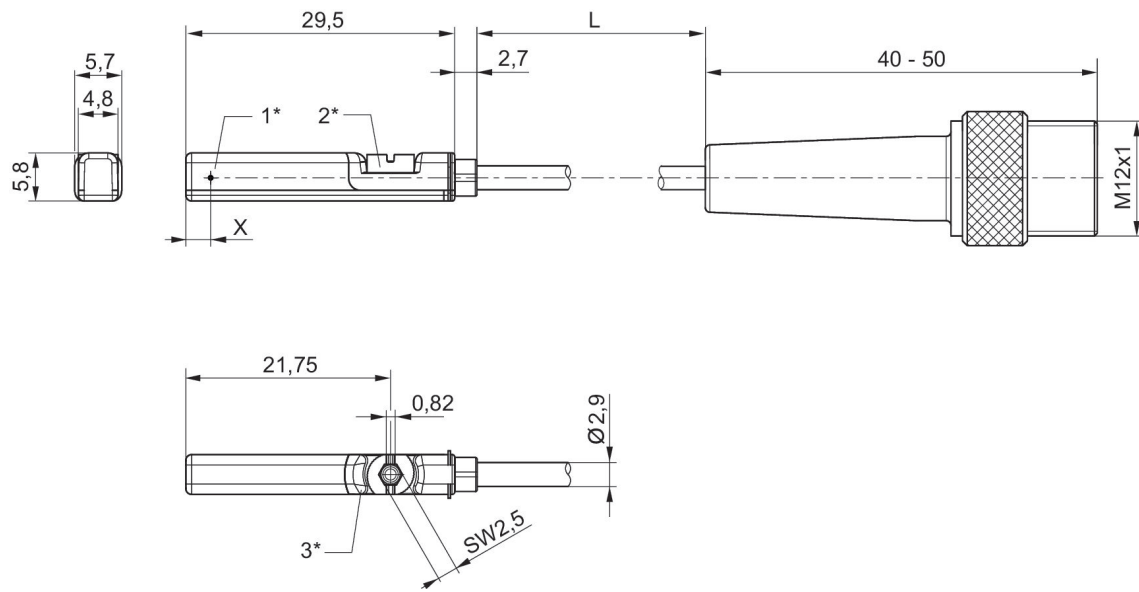
Sensor, Series ST6

PRA  
PRE  
CCI  
KPZ  
SSI  
GPC  
CVI  
Plug  
M12



Direct mounting for series	Indirect mounting for series	Slot width	Type of contact	Electrical connection size	Electrical connection number of poles	Part No.
PRA, PRE, CCI, KPZ, SSI, GPC, CVI	TRB, ITS, CCL-IS, MNI, CSL-RD, RPC, ICS-D2, ICM, KHZ, TRR	6 mm T-slot	Reed	M12x1	2-pin	R412027171
PRA, PRE, CCI, KPZ, SSI, GPC, CVI	TRB, ITS, CCL-IS, MNI, CSL-RD, RPC, ICS-D2, ICM, KHZ, TRR	6 mm T-slot	Reed	M12x1	3-pin	R412022876
PRA, PRE, CCI, KPZ, SSI, GPC, CVI	TRB, ITS, CCL-IS, MNI, CSL-RD, RPC, ICS-D2, ICM, KHZ, TRR	6 mm T-slot	electronic PNP	M12x1	3-pin	R412022879
PRA, PRE, CCI, KPZ, SSI, GPC, CVI	TRB, ITS, CCL-IS, MNI, CSL-RD, RPC, ICS-D2, ICM, KHZ, TRR	6 mm T-slot	electronic PNP	M12x1	3-pin	R412022863
PRA, PRE, CCI, KPZ, SSI, GPC, CVI	TRB, ITS, CCL-IS, MNI, CSL-RD, RPC, ICS-D2, ICM, KHZ, TRR	6 mm T-slot	electronic PNP	M12x1	3-pin	R412022877
PRA, PRE, CCI, KPZ, SSI, GPC, CVI	TRB, ITS, CCL-IS, MNI, CSL-RD, RPC, ICS-D2, ICM, KHZ, TRR	6 mm T-slot	electronic PNP	M12x1	3-pin	R412022878

Dimensions



1\* = switching point 2\* = locking screw 3\* = LED window, transparent  
 L = cable length  
 X = PNP: 11,6 mm, reed: 8,3 mm



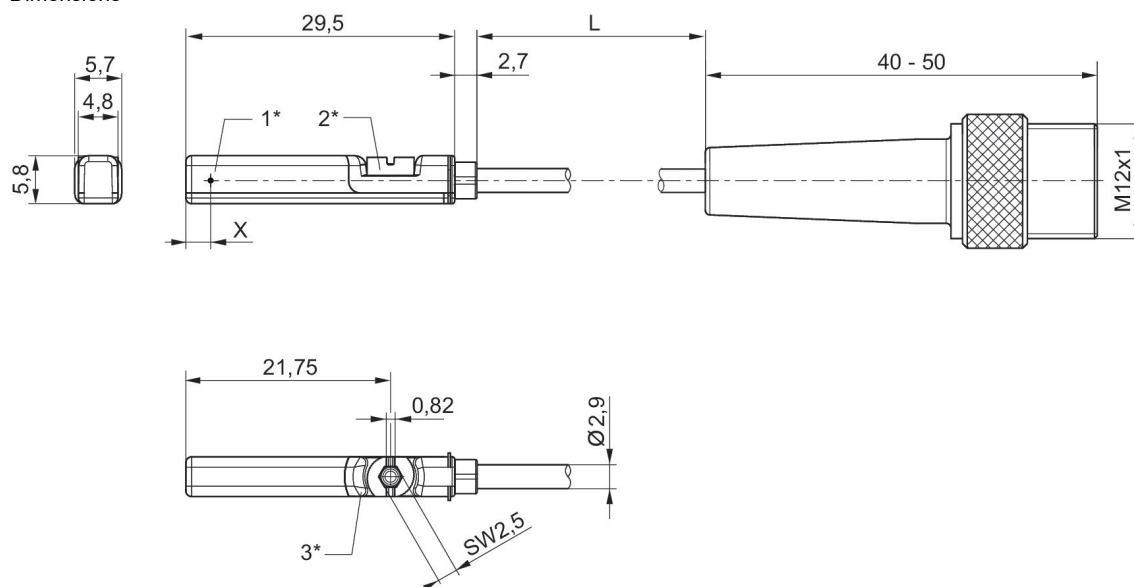
Sensor, Series ST6

PRA  
PRE  
CCI  
KPZ  
SSI  
GPC  
CVI  
Plug  
M12



Direct mounting for series	Indirect mounting for series	Slot width	Type of contact	Electrical connection size	Electrical connection number of poles	Part No.
PRA, PRE, CCI, KPZ, SSI, GPC, CVI	TRB, ITS, CCL-IS, MNI, CSL-RD, RPC, ICS-D2, ICM, KHZ, TRR	6 mm T-slot	PNP	M12x1	3-pin	R412022864

Dimensions



1\* = switching point 2\* = locking screw 3\* = LED window, transparent  
L = cable length  
X = PNP: 11,6 mm, reed: 8,3 mm

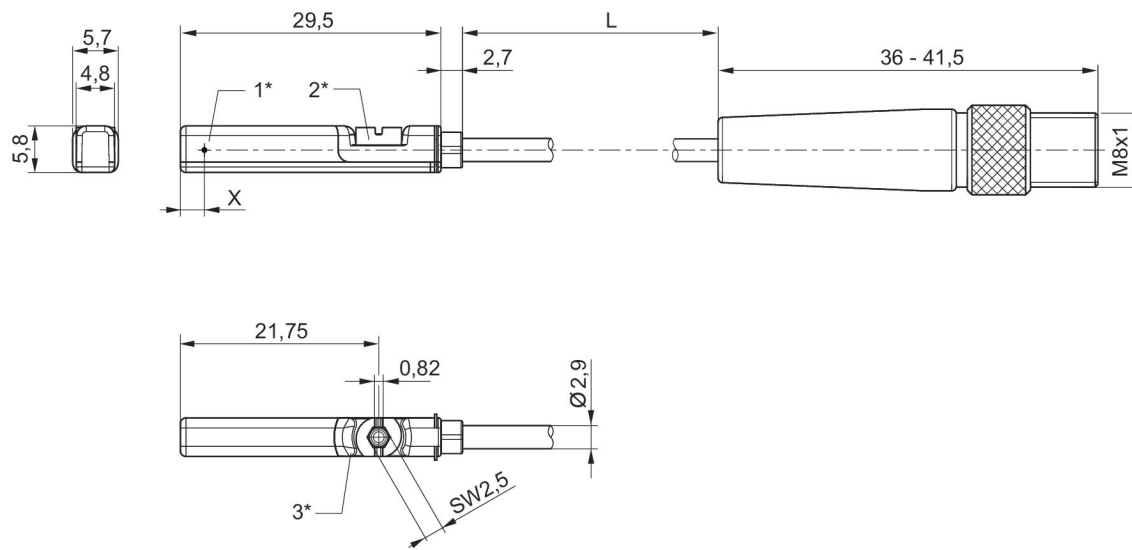
Sensor, Series ST6

PRA  
PRE  
CCI  
KPZ  
SSI  
GPC  
CVI  
Plug



Direct mounting for series	Indirect mounting for series	Slot width	Type of contact	Electrical connection size	Electrical connection number of poles	Part No.
PRA, PRE, CCI, KPZ, SSI, GPC, CVI	TRB, ITS, CCL-IS, MNI, CSL-RD, RPC, ICS-D2, ICM, KHZ, TRR	6 mm T-slot	Reed	M8x1	3-pin	R412022873
PRA, PRE, CCI, KPZ, SSI, GPC, CVI	TRB, ITS, CCL-IS, MNI, CSL-RD, RPC, ICS-D2, ICM, KHZ, TRR	6 mm T-slot	Reed	M8x1	3-pin	R412022875
PRA, PRE, CCI, KPZ, SSI, GPC, CVI	TRB, ITS, CCL-IS, MNI, CSL-RD, RPC, ICS-D2, ICM, KHZ, TRR	6 mm T-slot	Reed	M8x1	3-pin	R412022874
PRA, PRE, CCI, KPZ, SSI, GPC, CVI	TRB, ITS, CCL-IS, MNI, CSL-RD, RPC, ICS-D2, ICM, KHZ, TRR	6 mm T-slot	electronic PNP	M8x1	3-pin	R412022859
PRA, PRE, CCI, KPZ, SSI, GPC, CVI	TRB, ITS, CCL-IS, MNI, CSL-RD, RPC, ICS-D2, ICM, KHZ, TRR	6 mm T-slot	electronic PNP	M8x1	3-pin	R412022862
PRA, PRE, CCI, KPZ, SSI, GPC, CVI	TRB, ITS, CCL-IS, MNI, CSL-RD, RPC, ICS-D2, ICM, KHZ, TRR	6 mm T-slot	electronic PNP	M8x1	3-pin	R412022861
PRA, PRE, CCI, KPZ, SSI, GPC, CVI	TRB, ITS, CCL-IS, MNI, CSL-RD, RPC, ICS-D2, ICM, KHZ, TRR	6 mm T-slot	NPN	M8x1	3-pin	R412022852

Dimensions



1\* = switching point 2\* = locking screw 3\* = LED window, transparent  
 L = cable length  
 X = electronic: 11,6 mm, Reed: 8,3 mm

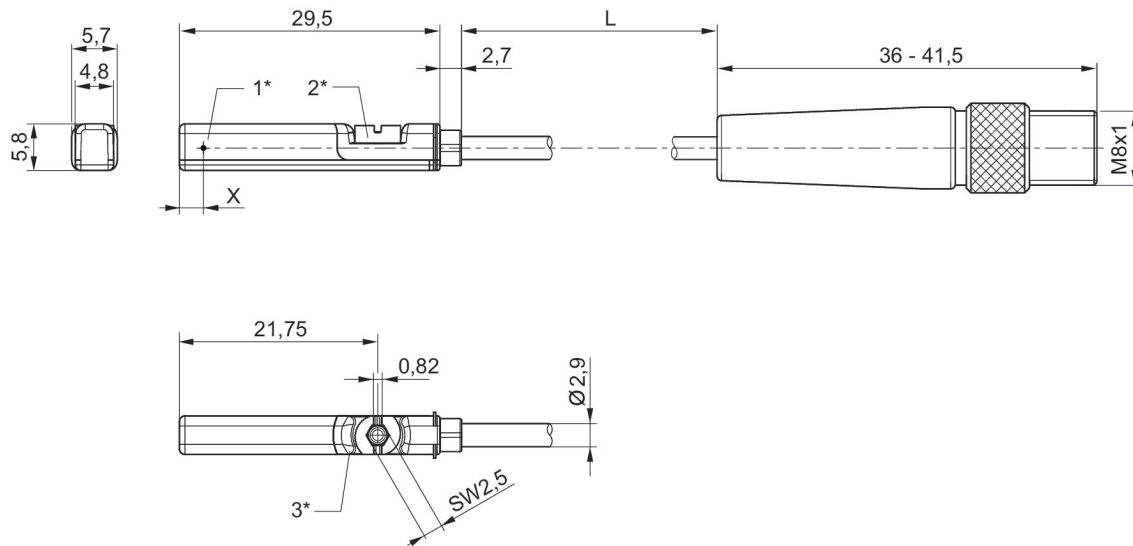
Sensor, Series ST6

PRA  
PRE  
CCI  
KPZ  
SSI  
GPC  
CVI  
Plug  
M8



Direct mounting for series	Indirect mounting for series	Slot width	Type of contact	Electrical connection size	Electrical connection number of poles	Part No.
PRA, PRE, CCI, KPZ, SSI, GPC, CVI	TRB, ITS, CCL-IS, MNI, CSL-RD, RPC, ICS-D2, ICM, KHZ, TRR	6 mm T-slot	PNP	M8x1	3-pin	R412022860

Dimensions



1\* = switching point 2\* = locking screw 3\* = LED window, transparent  
L = cable length  
X = electronic: 11,6 mm, Reed: 8,3 mm

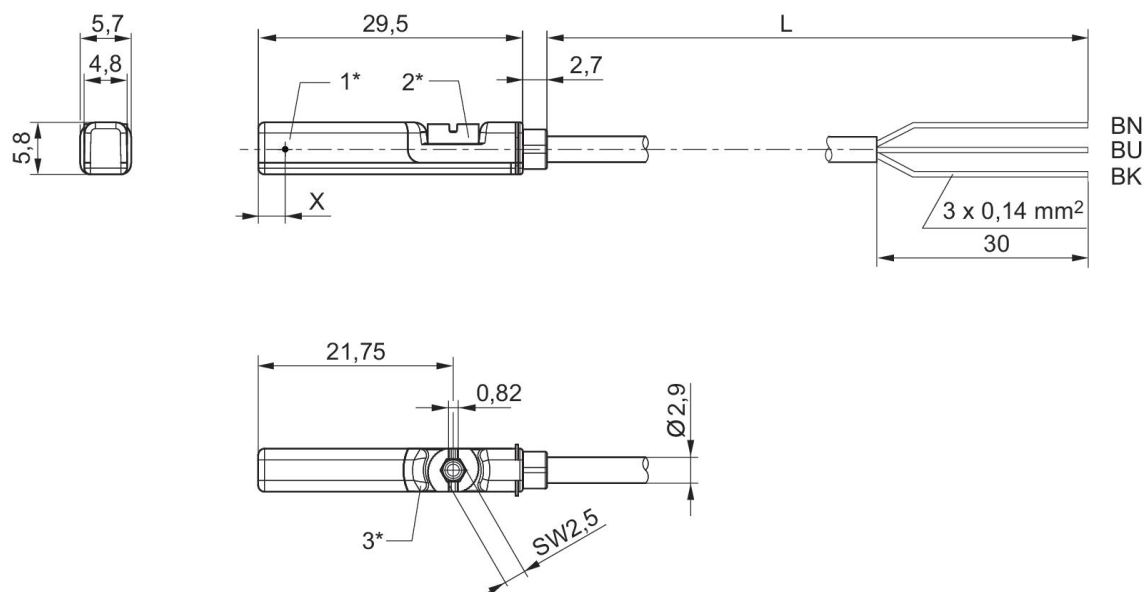
Sensor, Series ST6

PRA  
PRE  
CCI  
KPZ  
SSI  
GPC  
CVI  
open cable ends



Direct mounting for series	Indirect mounting for series	Slot width	Type of contact	Electrical connection number of poles	Part No.
PRA, PRE, CCI, KPZ, SSI, GPC, CVI	TRB, ITS, CCL-IS, MNI, CSL-RD, RPC, ICS-D2, ICM, KHZ, TRR	6 mm T-slot	PNP	3-pin	R412022854
PRA, PRE, CCI, KPZ, SSI, GPC, CVI	TRB, ITS, CCL-IS, MNI, CSL-RD, RPC, ICS-D2, ICM, KHZ, TRR	6 mm T-slot	PNP	3-pin	R412022856

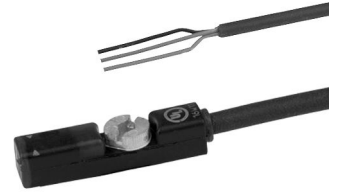
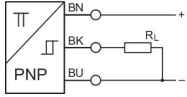
Dimensions



1\* = switching point 2\* = locking screw 3\* = LED window, transparent  
L = cable length BN = brown, BK = black, BU = blue  
X = electronic: 11.6 mm

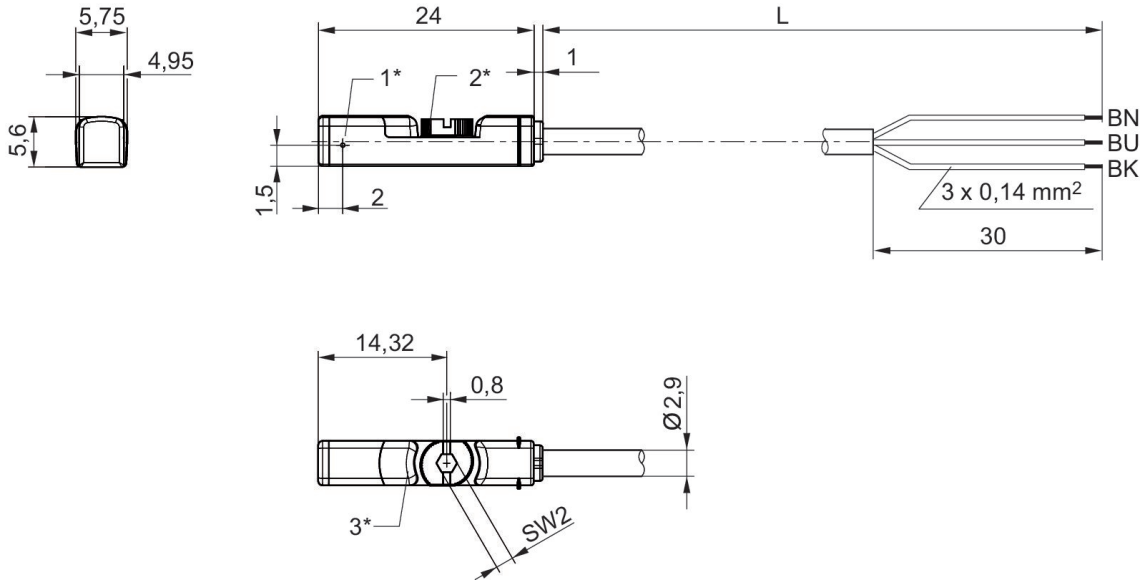
Sensor, Series ST6-LT

PRA  
open cable ends



Direct mounting for series	Indirect mounting for series	Slot width	Type of contact	Electrical connection number of poles	Part No.
PRA	TRB, ITS	6 mm T-slot	PNP	3-pin	R412024011

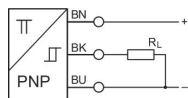
Dimensions



1\* = switching point 2\* = locking screw 3\* = LED window, transparent  
L = cable length BN = brown, BK = black, BU = blue

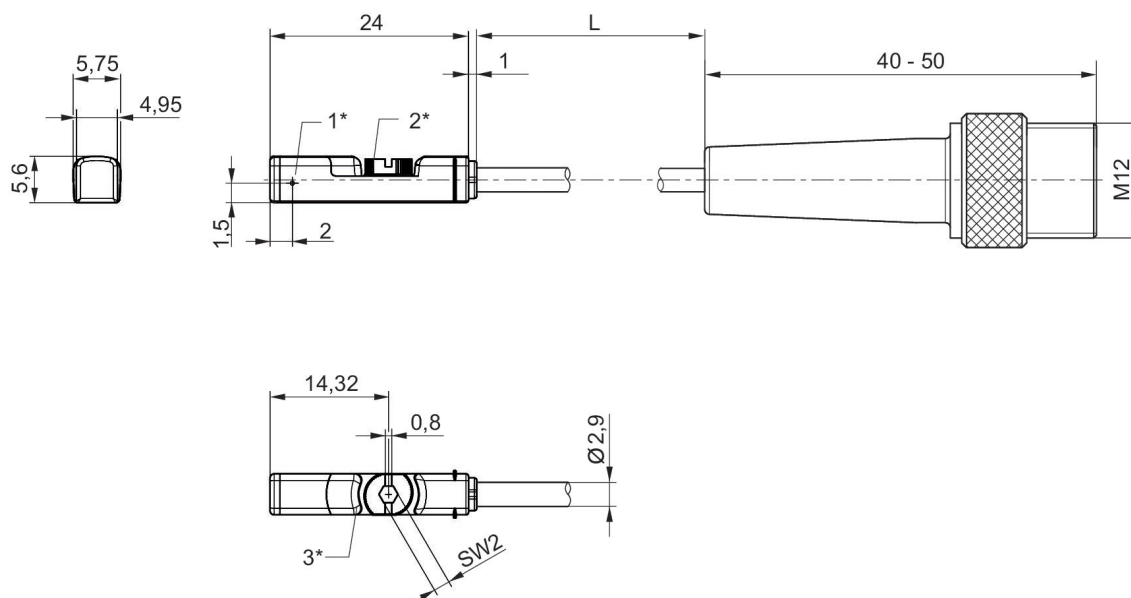
Sensor, Series ST6-LT

PRA  
open cable ends



Direct mounting for series	Indirect mounting for series	Slot width	Type of contact	Electrical connection size	Electrical connection number of poles	Part No.
PRA	TRB, ITS	6 mm T-slot	PNP	M12x1	3-pin	R412024670

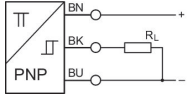
Dimensions



1\* = switching point 2\* = locking screw 3\* = LED window, transparent  
L = cable length

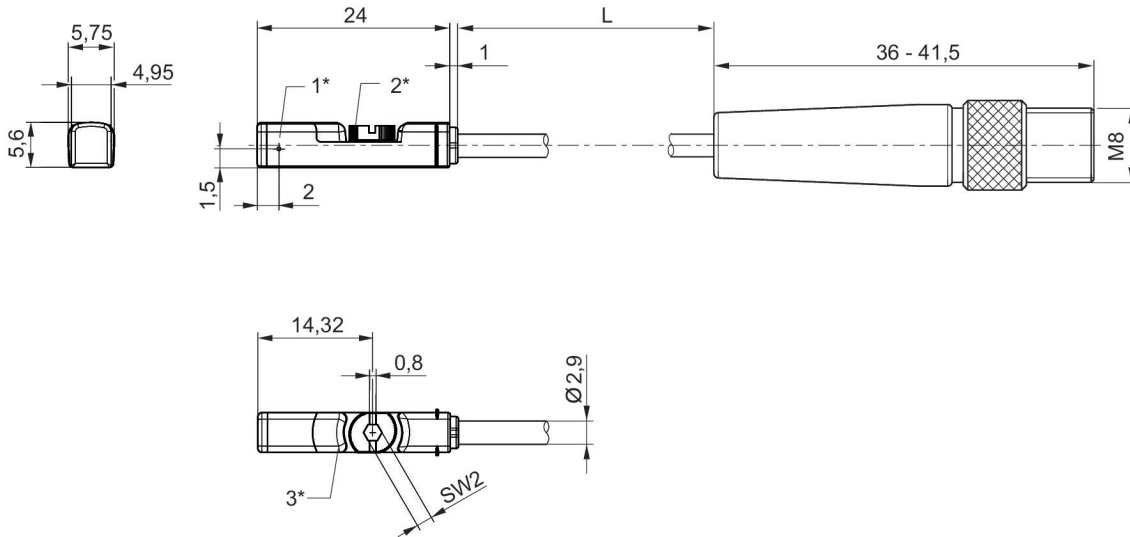
Sensor, Series ST6-LT

PRA  
open cable ends



Direct mounting for series	Indirect mounting for series	Slot width	Type of contact	Electrical connection size	Electrical connection number of poles	Part No.
PRA	TRB, ITS	6 mm T-slot	PNP	M8x1	3-pin	R412024669

Fig. 2

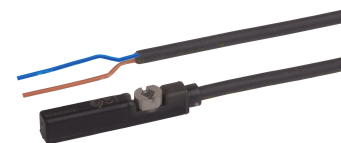


1\* = switching point 2\* = locking screw 3\* = LED window, transparent  
L = cable length



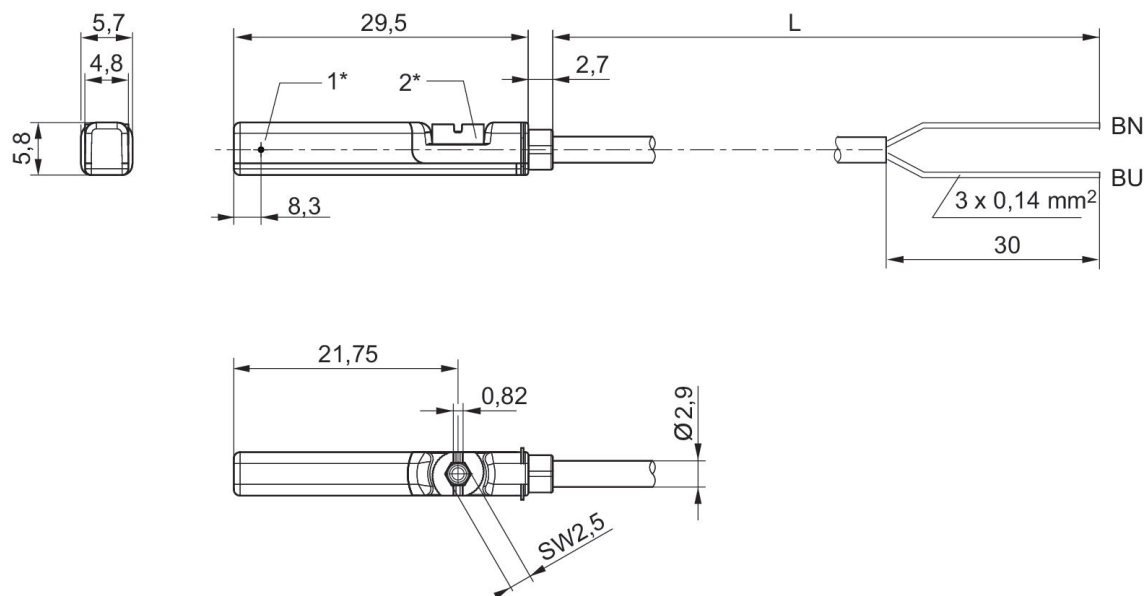
Sensor, Series ST6-HT

PRA  
PRE  
CCI  
KPZ  
open cable ends



Direct mounting for series	Indirect mounting for series	Slot width	Type of contact	Electrical connection number of poles	Part No.
PRA, PRE, CCI, KPZ	TRB, ITS, MNI, CSL-RD, RPC	6 mm T-slot	Reed	2-pin	R412022865
PRA, PRE, CCI, KPZ	TRB, ITS, MNI, CSL-RD, RPC	6 mm T-slot	Reed	2-pin	R412022867

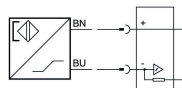
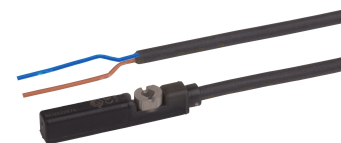
Dimensions



1\* = switching point 2\* = locking screw  
L = cable length BN=brown, BU=blue

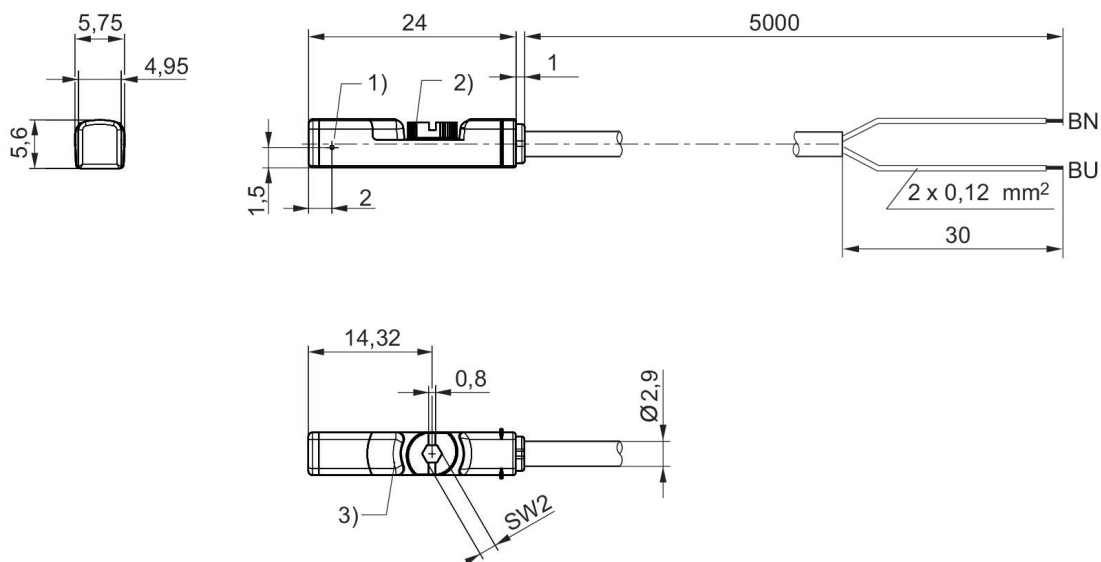
### Sensor, Series ST6

PRA  
PRE  
CCI  
KPZ  
SSI  
GPC  
CVI  
Wire end clips



Direct mounting for series	Indirect mounting for series	Slot width	Electrical connection number of poles	Part No.
PRA, PRE, CCI, KPZ, SSI, GPC, CVI	TRB, ITS, CCL-IS, MNI, CSL-RD, RPC, ICS-D2, ICM, KHZ, TRR	6 mm T-slot	2-pin	R412027174

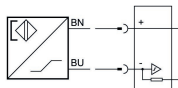
Dimensions in mm



- 1) Switching point
  - 2) Locking screw
  - 3) LED window, transparent
- BN = brown, BU = blue

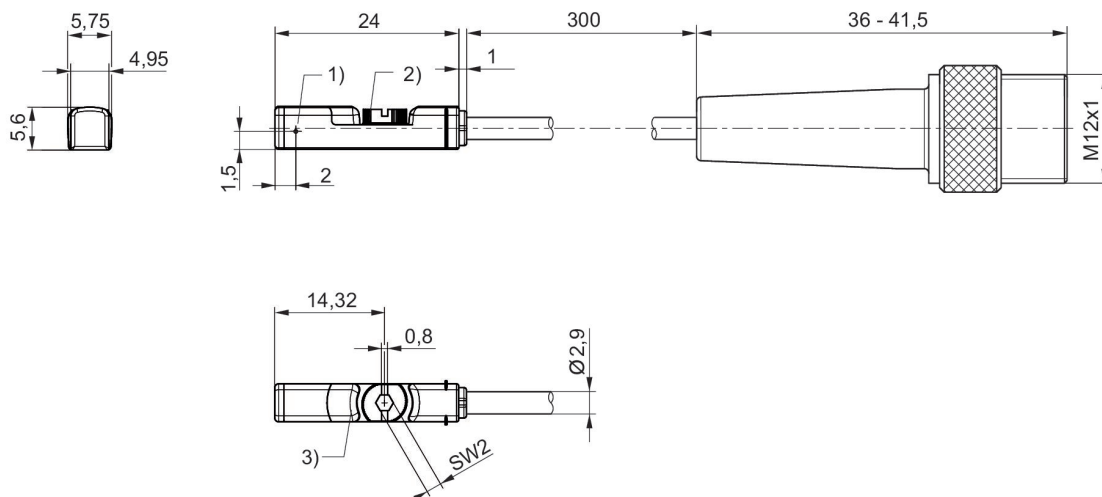
Sensor, Series ST6

PRA  
PRE  
CCI  
KPZ  
SSI  
GPC  
CVI  
Plug  
M12x1



Direct mounting for series	Indirect mounting for series	Slot width	Electrical connection size	Electrical connection number of poles	Part No.
PRA, PRE, CCI, KPZ, SSI, GPC, CVI	TRB, ITS, CCL-IS, MNI, CSL-RD, RPC, ICS-D2, ICM, KHZ, TRR	6 mm T-slot	M12x1	2-pin	R412027173

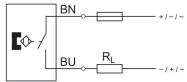
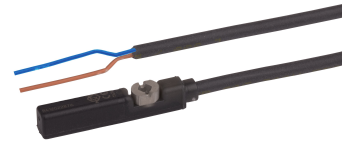
Dimensions in mm



- 1) Switching point
- 2) Locking screw
- 3) LED window, transparent

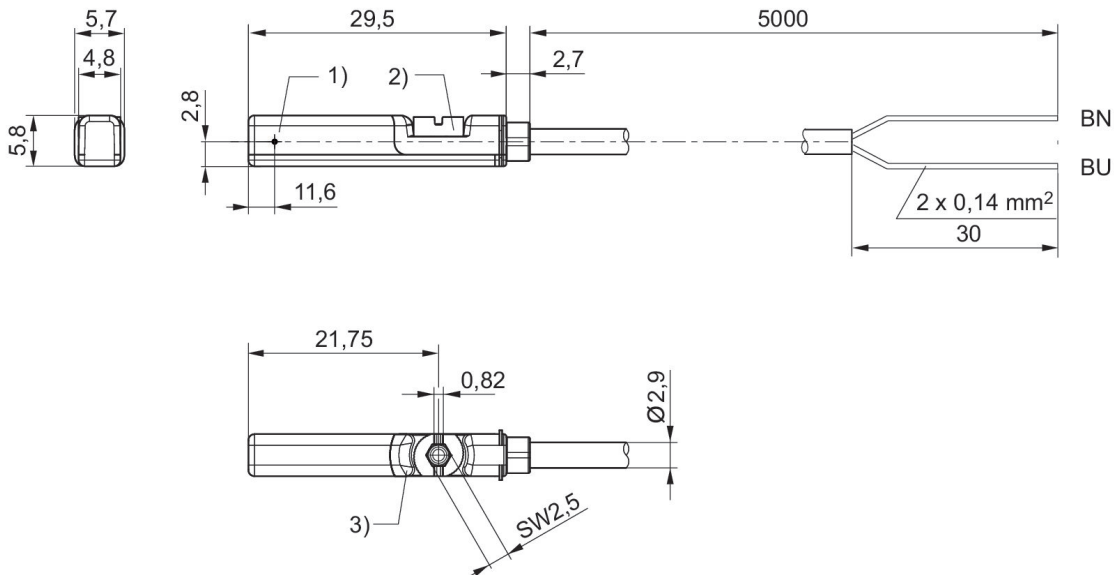
Sensor, Series ST6

PRA  
PRE  
CCI  
KPZ  
SSI  
GPC  
CVI  
open cable ends



Direct mounting for series	Indirect mounting for series	Slot width	Type of contact	Electrical connection number of poles	Part No.
PRA, PRE, CCI, KPZ, SSI, GPC, CVI	TRB, ITS, CCL-IS, MNI, CSL-RD, RPC, ICS-D2, ICM, KHZ, TRR	6 mm T-slot	Reed	2-pin	R412027175

Dimensions in mm



- 1) Switching point
  - 2) Locking screw
  - 3) LED window, transparent
- BN = brown, BU = blue

# Efficient pneumatic solutions, our program: cylinders and drives, valves and valve systems, air supply management



Visit us: [Emerson.com/Aventics](https://www.emerson.com/aventics)

Your local contact: [Emerson.com/contactus](https://www.emerson.com/contactus)



[Emerson.com](https://www.emerson.com)



[Facebook.com/EmersonAutomationSolutions](https://www.facebook.com/EmersonAutomationSolutions)



[LinkedIn.com/company/Emerson-Automation-Solutions](https://www.linkedin.com/company/Emerson-Automation-Solutions)



[Twitter.com/EMR\\_Automation](https://twitter.com/EMR_Automation)

An example configuration is depicted on the title page. The delivered product may thus vary from that in the illustration. Subject to change. This Document, as well as the data, specifications and other information set forth in it, are the exclusive property of AVENTICS GmbH. It may not be reproduced or given to third parties without its consent. Only use the AVENTICS products shown in industrial applications. Read the product documentation completely and carefully before using the product. Observe the applicable regulations and laws of the respective country. When integrating the product into applications, note the system manufacturer's specifications for safe use of the product. The data specified only serve to describe the product. No statements concerning a certain condition or suitability for a certain application can be derived from our information. The information given does not release the user from the obligation of own judgment and verification. It must be remembered that the products are subject to a natural process of wear and aging.

The Emerson logo is a trademark and service mark of Emerson Electric Co. Brand logotype are registered trademarks of one of the Emerson family of companies. All other marks are the property of their respective owners. © 2019 Emerson Electric Co. All rights reserved.



**CONSIDER IT SOLVED™**