

PE7



AVENTICS™

AVENTICS Series PE7 Pressure  
sensors

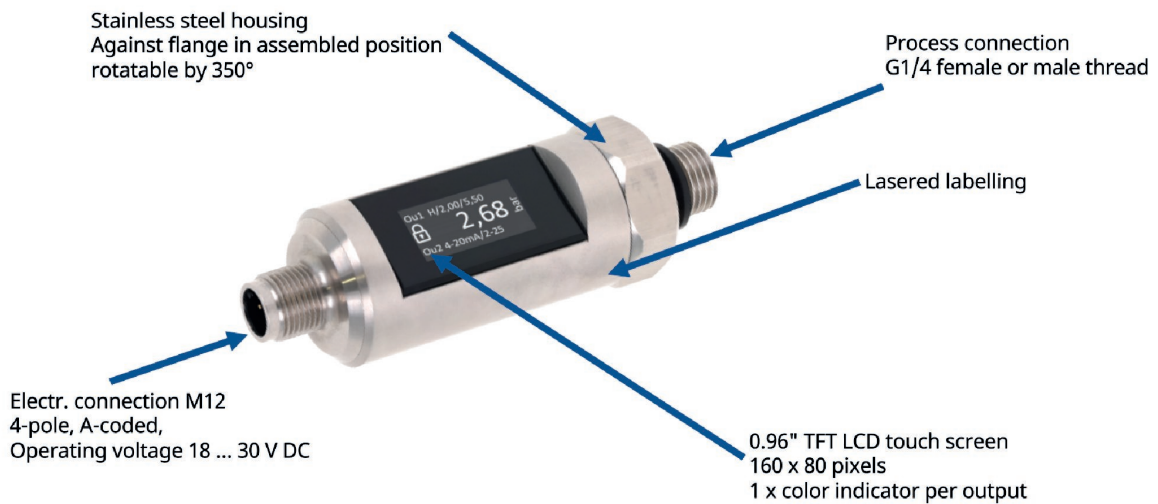
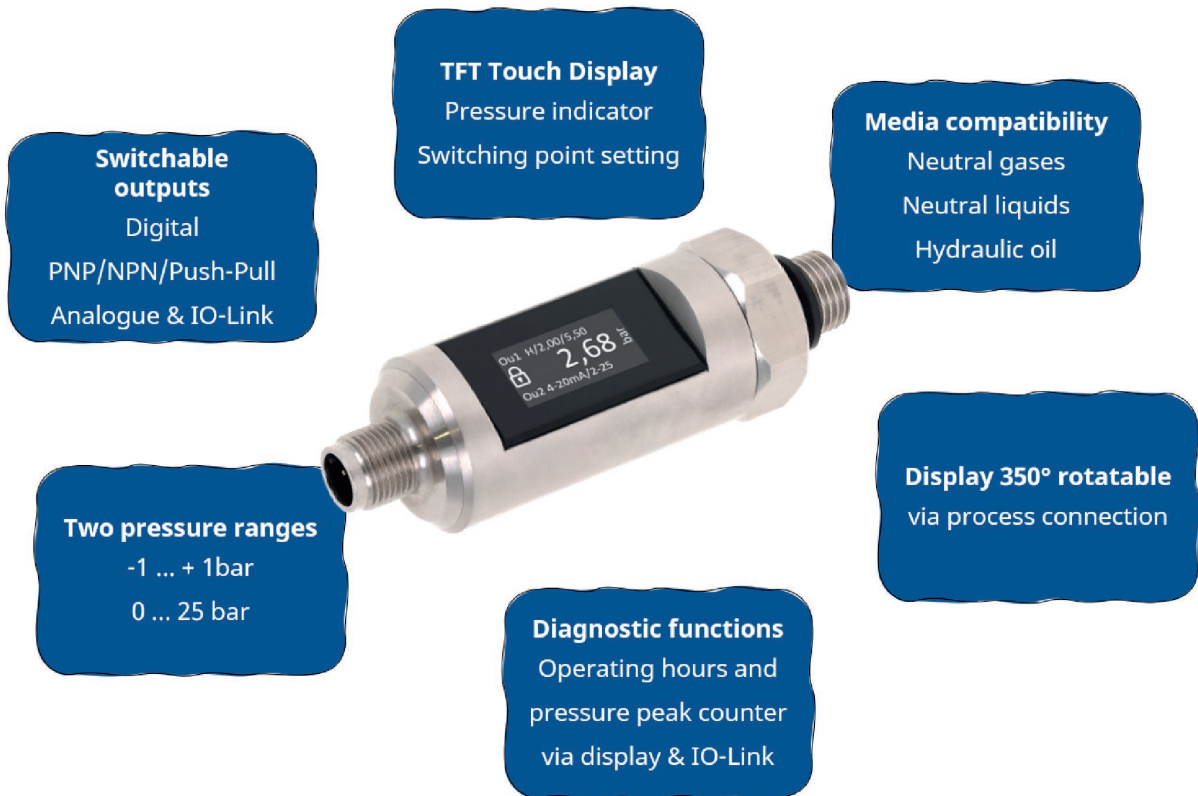


## Pressure sensor, Series PE7

The AVENTICS Series PE7 is a pressure sensor in stainless steel housing with shatterproof touch display. Impresses with its simple operation, great robustness and compact design.

- Stainless steel housing
- Shatterproof touch display
- Simple operation
- Great robustness
- Compact design





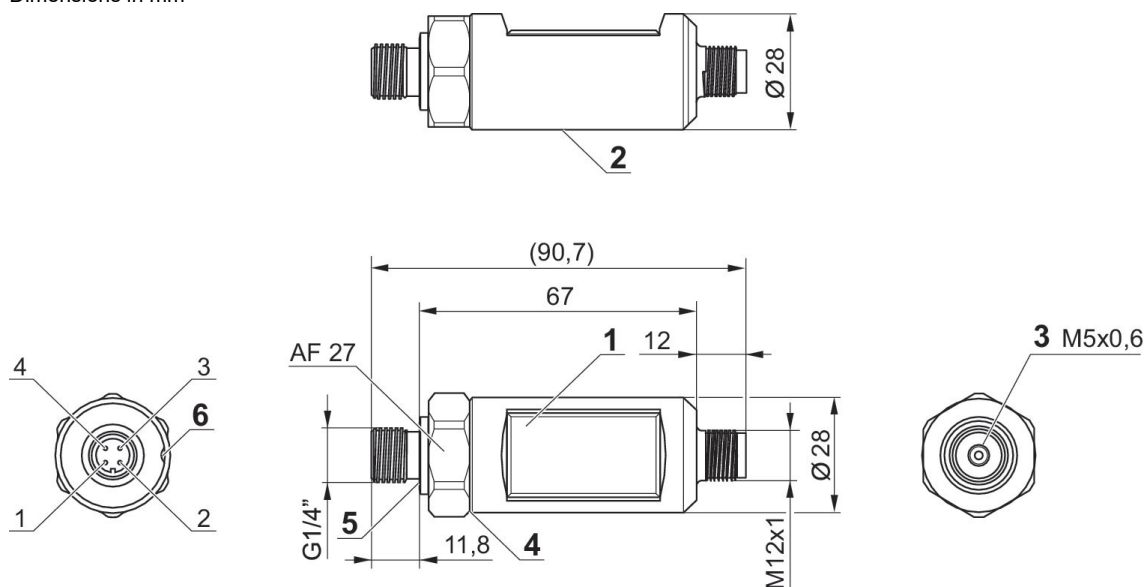
**Pressure sensor, Series PE7**

Plug  
M12x1  
External thread  
CE declaration of conformity  
UKCA  
RoHS  
Conforms with REACH  
UL (Underwriters Laboratories)



Thread connection	Operating pressure min [bar]	Operating pressure max [bar]	Operating voltage DC, min. [V DC]	Operating voltage DC, max. [V DC]	Part No.
G 1/4	-1	1	18	30	R412028726
G 1/4	0	25	18	30	R412028728

Dimensions in mm



- 1) OLED
- 2) Laser inscription on underside according to printing instructions
- 3) Flow control screw
- 5) Seal
- 6) 1) Housing exhaust

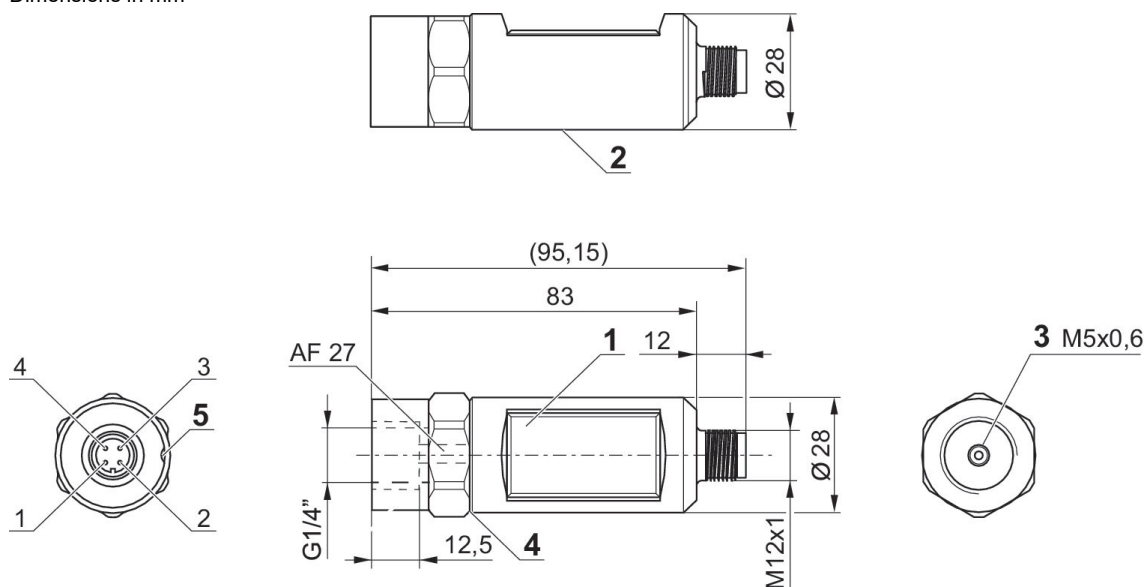
**Pressure sensor, Series PE7**

Plug  
M12x1  
Internal thread  
CE declaration of conformity  
UKCA  
RoHS  
Conforms with REACH  
UL (Underwriters Laboratories)



Thread connection	Operating pressure min [bar]	Operating pressure max [bar]	Operating voltage DC, min. [V DC]	Operating voltage DC, max. [V DC]	Part No.
G 1/4	-1	1	18	30	R412028725
G 1/4	0	25	18	30	R412028727

Dimensions in mm



- 1) OLED
- 2) Laser inscription on underside according to printing instructions
- 3) Flow control screw
- 5) 1) Housing exhaust

# Efficient pneumatic solutions, our program: cylinders and drives, valves and valve systems, air supply management



Visit us: [Emerson.com/Aventics](https://www.emerson.com/aventics)

Your local contact: [Emerson.com/contactus](https://www.emerson.com/contactus)



[Emerson.com](https://www.emerson.com)



[Facebook.com/EmersonAutomationSolutions](https://www.facebook.com/EmersonAutomationSolutions)



[LinkedIn.com/company/Emerson-Automation-Solutions](https://www.linkedin.com/company/Emerson-Automation-Solutions)



[Twitter.com/EMR\\_Automation](https://twitter.com/EMR_Automation)

An example configuration is depicted on the title page. The delivered product may thus vary from that in the illustration. Subject to change. This Document, as well as the data, specifications and other information set forth in it, are the exclusive property of AVENTICS GmbH. It may not be reproduced or given to third parties without its consent. Only use the AVENTICS products shown in industrial applications. Read the product documentation completely and carefully before using the product. Observe the applicable regulations and laws of the respective country. When integrating the product into applications, note the system manufacturer's specifications for safe use of the product. The data specified only serve to describe the product. No statements concerning a certain condition or suitability for a certain application can be derived from our information. The information given does not release the user from the obligation of own judgment and verification. It must be remembered that the products are subject to a natural process of wear and aging.

The Emerson logo is a trademark and service mark of Emerson Electric Co. Brand logotype are registered trademarks of one of the Emerson family of companies. All other marks are the property of their respective owners. © 2019 Emerson Electric Co. All rights reserved.



**CONSIDER IT SOLVED™**