

Series 573



AVENTICS™ Series 573

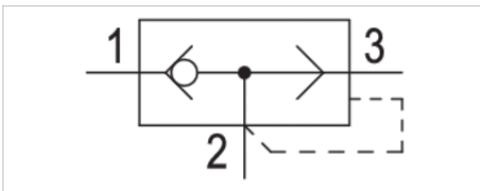


Quick exhaust valve, Series 573

- Qn 1►2 = 220-7200 l/min
- Qn 2►3 = 300-12000 l/min
- Internal thread / Internal thread



Version	Poppet valve
Working pressure min./max.	0.8 ... 10 bar
Ambient temperature min./max.	-18 ... 70 °C
Medium temperature min./max.	-18 ... 70 °C
Medium	Compressed air
Weight	See table below



Technical data

Part No.	Port 1 Input	Type Port 1	Port 2 Output	Type Port 2	Port 3 Exhaust	Type Port 3
5735040900	M5	Internal thread	M5	Internal thread	M5	Internal thread
5735040000	G 1/8	Internal thread	G 1/8	Internal thread	G 1/8	Internal thread
5735040100	G 1/4	Internal thread	G 1/4	Internal thread	G 1/4	Internal thread
R412010750	G 3/8	Internal thread	G 3/8	Internal thread	G 3/8	Internal thread
5735040300	G 1/2	Internal thread	G 1/2	Internal thread	G 1/2	Internal thread
R412010751	G 3/4	Internal thread	G 3/4	Internal thread	G 3/4	Internal thread
R412010752	G 1	Internal thread	G 1	Internal thread	G 1	Internal thread

Part No.	Flow rate value Qn 1►2	Flow rate value Qn 2►3	Sealing material
5735040900	220 l/min	300 l/min	Acrylonitrile butadiene rubber
5735040000	680 l/min	1100 l/min	Polyurethane
5735040100	1200 l/min	2100 l/min	Polyurethane
R412010750	1800 l/min	3450 l/min	Polyurethane
5735040300	3400 l/min	6100 l/min	Polyurethane
R412010751	2500 l/min	9800 l/min	Polyurethane
R412010752	7200 l/min	12000 l/min	Polyurethane

Part No.	Weight	Fig.
5735040900	0.03 kg	Fig. 2
5735040000	0.08 kg	Fig. 1
5735040100	0.15 kg	Fig. 1

Part No.	Weight	Fig.
R412010750	0.153 kg	Fig. 1
5735040300	0.32 kg	Fig. 1
R412010751	0.45 kg	Fig. 1
R412010752	1.65 kg	Fig. 1

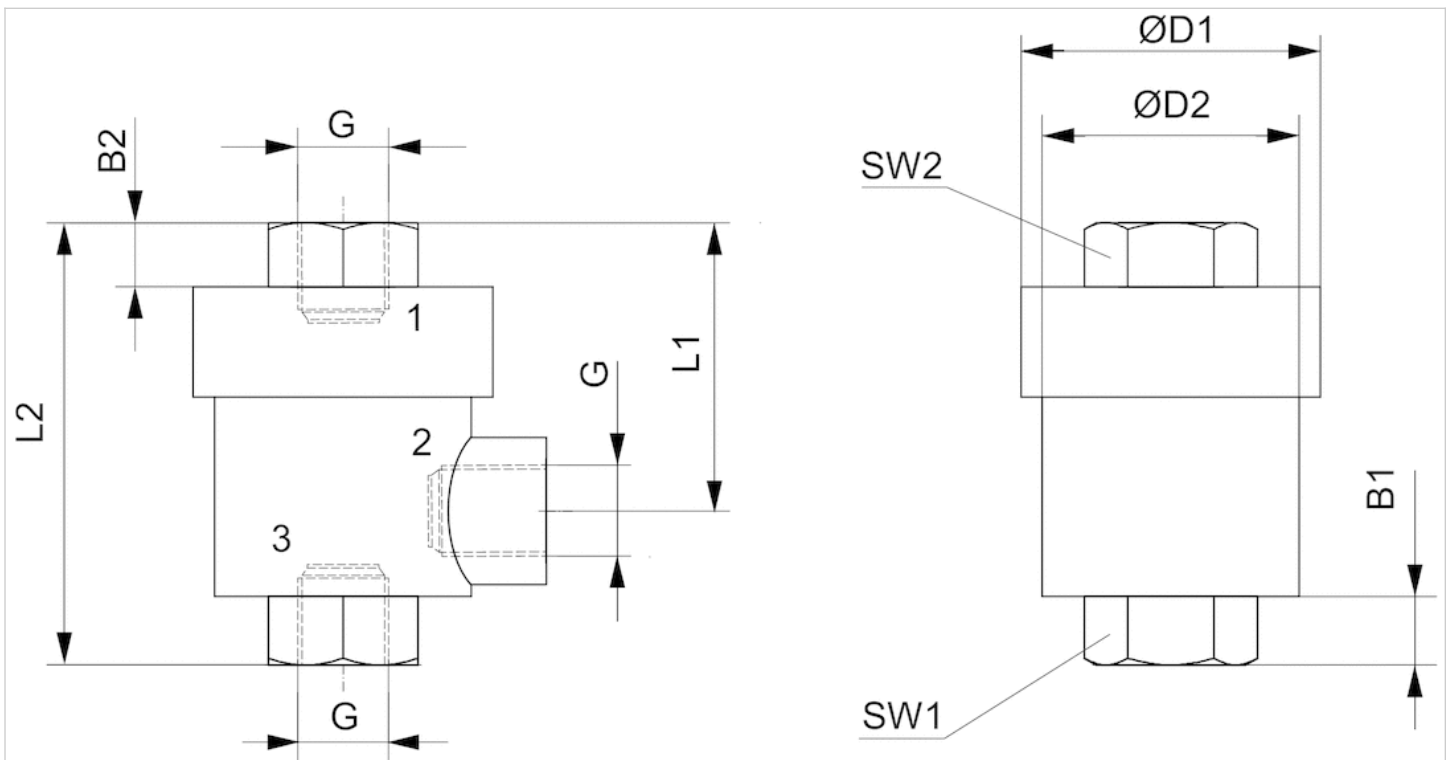
Nominal flow Qn at 6 bar and $\Delta p = 1$ bar

Technical information

Material	
Housing	Brass, nickel-plated
Seals	Acrylonitrile butadiene rubber Polyurethane

Dimensions

Fig. 1

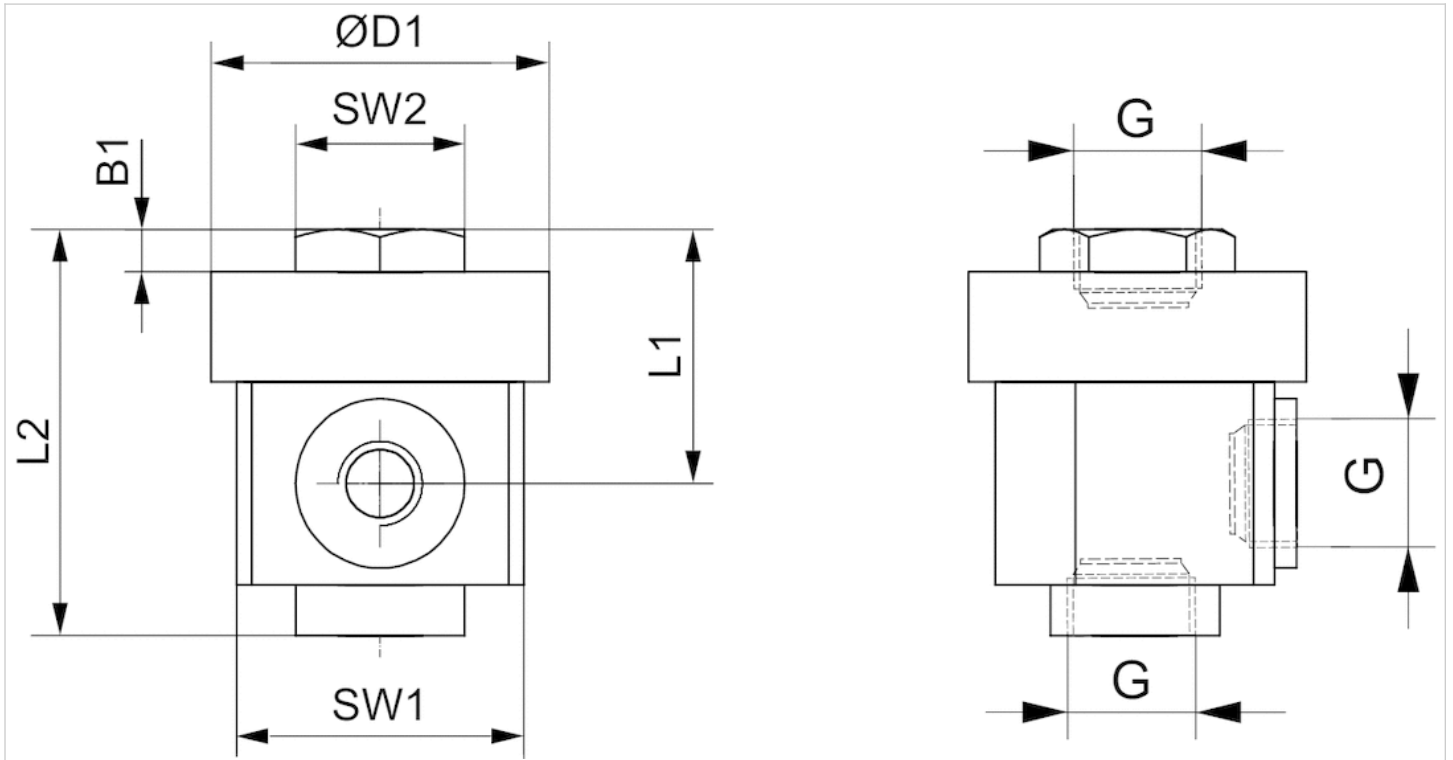


Dimensions

Part No.	Port G	B1	B2	ØD1	ØD2	L1	L2	SW1	SW2
5735040000	G 1/8	6.5	6.5	28	24	27	42	15	15
5735040100	G 1/4	9.5	9	33.5	29.5	35	53	19	19
R412010750	G 3/8	10	10	32.5	29.5	36	56	21	21
5735040300	G 1/2	13.5	13	43	40	43	72	26	26
R412010751	G 3/4	19	16	49	45.5	55	90	32	32
R412010752	G 1	17	17	80	70	70	110	46	46

Dimensions

Fig. 2



Dimensions

Part No.	Port G	B1	ØD1	L1	L2	SW1	SW2
5735040900	M5	2.5	20	17	25	17	10

Efficient pneumatic solutions, our program: cylinders and drives, valves and valve systems, air supply management



Visit us: [Emerson.com/Aventics](https://www.emerson.com/Aventics)

Your local contact: [Emerson.com/contactus](https://www.emerson.com/contactus)



Emerson.com



[Facebook.com/EmersonAutomationSolutions](https://www.facebook.com/EmersonAutomationSolutions)



[LinkedIn.com/company/Emerson-Automation-Solutions](https://www.linkedin.com/company/Emerson-Automation-Solutions)



[Twitter.com/EMR_Automation](https://twitter.com/EMR_Automation)

An example configuration is depicted on the title page. The delivered product may thus vary from that in the illustration. Subject to change. This Document, as well as the data, specifications and other information set forth in it, are the exclusive property of AVENTICS GmbH. It may not be reproduced or given to third parties without its consent. Only use the AVENTICS products shown in industrial applications. Read the product documentation completely and carefully before using the product. Observe the applicable regulations and laws of the respective country. When integrating the product into applications, note the system manufacturer's specifications for safe use of the product. The data specified only serve to describe the product. No statements concerning a certain condition or suitability for a certain application can be derived from our information. The information given does not release the user from the obligation of own judgment and verification. It must be remembered that the products are subject to a natural process of wear and aging.

The Emerson logo is a trademark and service mark of Emerson Electric Co. Brand logotype are registered trademarks of one of the Emerson family of companies. All other marks are the property of their respective owners. © 2017 Emerson Electric Co. All rights reserved.
2019-03



CONSIDER IT SOLVED™