

Description & Features:

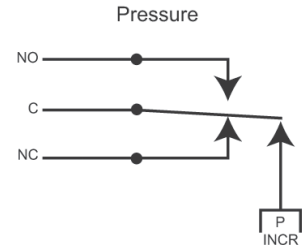
- Piston-type pressure switch
- 30 to 1,600 psi pressure range
- SPDT switch
- Simple set point adjustment, SPDT snap action
- Anodized aluminum construction with Buna-N wetted parts
- Hermetically sealed contacts available
- $\pm 2\%$ of the adjustable range accuracy
- NEMA 4, IP65 enclosure rating
- CSA approved
- CRN registered (up to 340 psi models)
- 5 year warranty

Applications:

- Suitable for pump and compressor monitoring, HVAC systems and general industrial applications

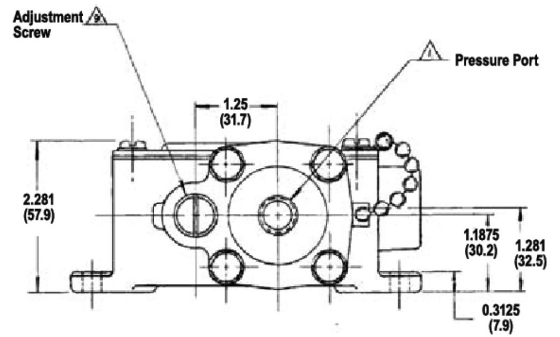
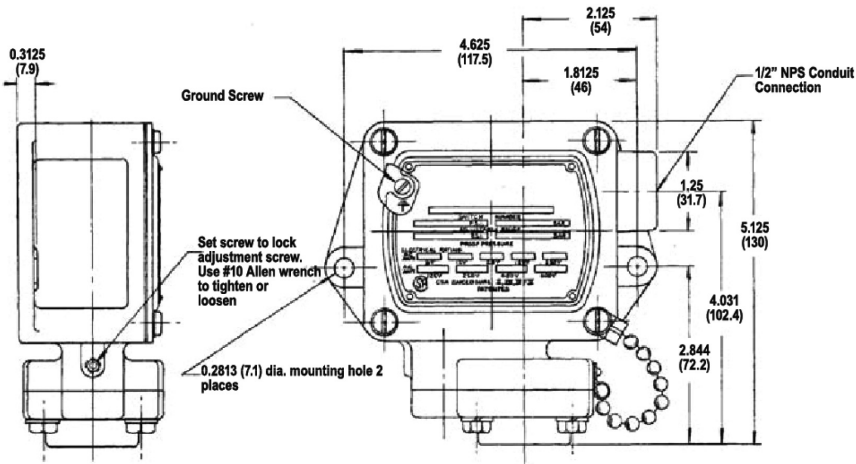
Specifications	
Housing Material	Anodized aluminum
Accuracy	$\pm 2\%$ of the adjustable range
Pressure Connection	1/4" NPTF
Electrical Connection	1/2" NPTF conduit connection with screw terminals
Wetted Parts	Aluminum and Buna N (FKM diaphragm optional)
Set Point Adjustment	Self locking adjustment nut
Deadband	Fixed
Contact Rating	10 amps @ 125/250/480 Vac 0.05 amps @ 125 Vdc; 2.0 amps @ 600 Vac
No. of Contacts	1 x SPDT (hermetically sealed option available)
Ambient Temperature	-20°F to 165°F (-29°C to 74°C)
Storage Temperature	-40°F to 200°F (-40°C to 93°C)
Enclosure Rating	NEMA 4, IP65
Approvals	CSA approved
Weight	3.75 lbs (1.7 kg)

Wiring Diagram



Order Codes

Adjustable Range psi (bar)		Approximate Deadband (Actuation value) psi (bar)	Proof Pressure psi (bar)	NEMA 4 Code
Min	Max			
0.5 (0.03)	30 (2)	0.4-2 (0.03-.13)	2,000 (133)	3WPSB030N4
3 (0.2)	85 (5.7)	0.8-7 (0.05-0.5)	2,000 (133)	3WPSB085N4
6 (0.4)	340 (23)	2-22 (0.13-1.5)	2,000 (133)	3WPSB340N4
25 (1.7)	600 (40)	2-17 (0.13-1.1)	2,000 (133)	3WPSB600N4
400 (27)	1,600 (107)	20-80 (1.3-5.3)	2,000 (133)	3WPSB1600N4



Series Number (how to order)

SERIES

SWITCH

10 amps @ 125/250 VAC; 2 amps @ 600 Vac; 0.05 amps @ 125 Vac

PRESSURE RANGES PSI (BAR)

Adjustable Range psi (bar)		Approximate Deadband (Actuation Value based on closed contact)
Min	Max	
0.5 (0.03)	30 (2)	0.4-2 (0.03-0.13)
3 (0.2)	85 (5.7)	0.87-7 (0.05-0.5)
6 (0.4)	340 (23)	2-22 (0.13-1.5)
25 (1.7)	600 (40)	2-17 (0.13-1.1)
400 (27)	1,600 (107)	20-80 (1.3-5.3)

PRESSURE FITTING

Stainless steel, 1/4" NPT (standard)

WETTED PARTS

Buna-N diaphragm (standard)

Viton diaphragm

OPTIONS

1/4" NPT (standard)

1/2" NPT pressure fitting (only available in stainless steel)

Factory preset (consult factory)

