

Sensors, Series SN6



AVENTICS™ Sensors, Series SN6




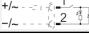
Sensor, Series SN6

- Plug, Form B, industry, 2-pin
- Reed
- Indirect mounting for series TRB, ITS, 523



Ambient temperature min./max.	-25 ... 75 °C
Protection class	IP65
Switching point precision	±0,1 mT
Min./max. DC operating voltage	10 ... 48 V DC
Min./max. AC operating voltage	10 ... 48 V AC
LED status display	See table below
Vibration resistance	35 g (50 - 2000 Hz)
Shock resistance	50 g / 11 ms

Technical data

Part No.		Type of contact	DC switching current, max.
8940410602		Reed	3 A
8940410612		Reed	0.5 A

Part No.	AC switching current, max.	Switching capacity	LED status display
8940410602	3 A	60 W / 60 VA	-
8940410612	0.5 A	50 W / 50 VA	Yellow

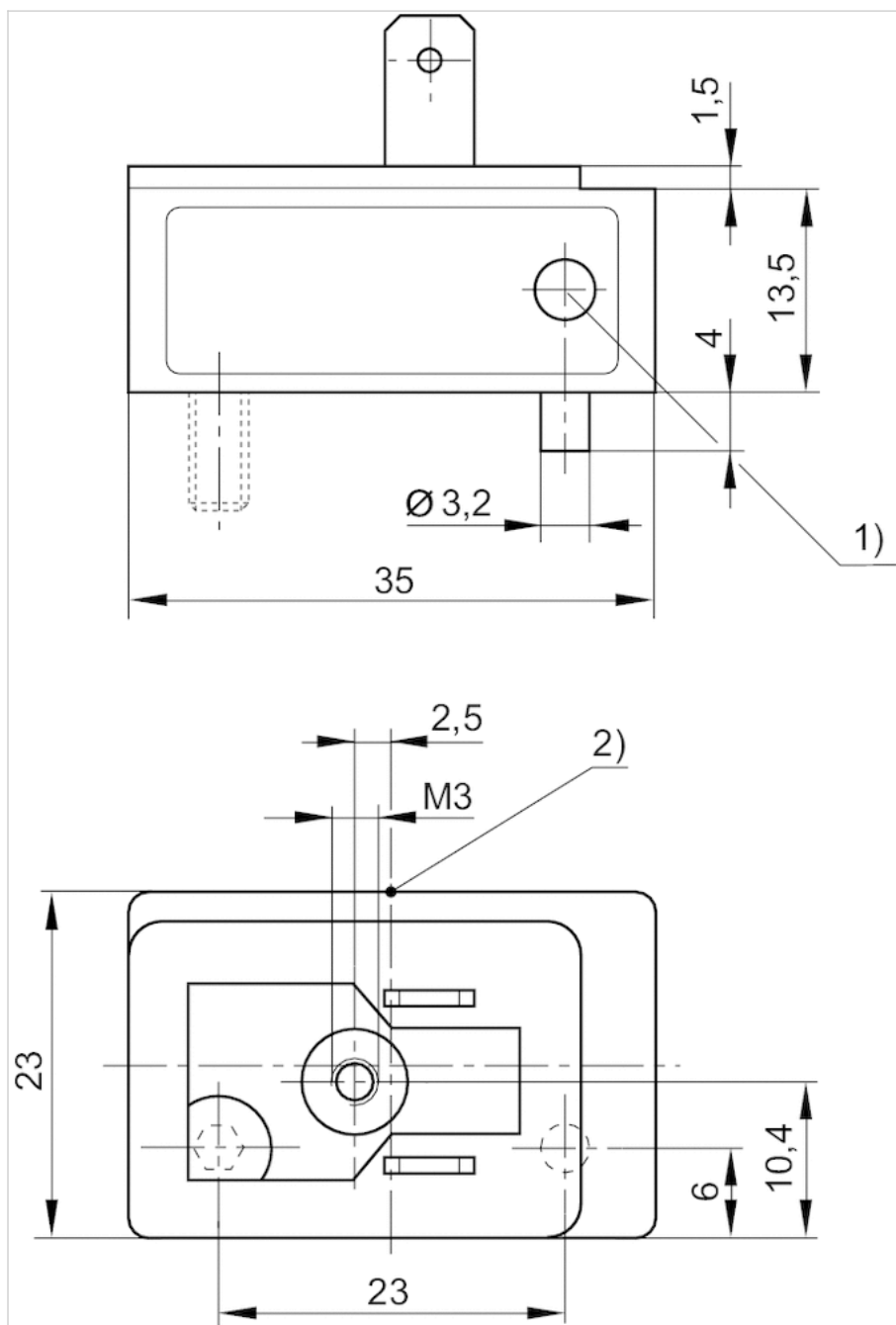
Part No.	Version
8940410602	-
8940410612	Protected against polarity reversal

Technical information

Material	
Housing	Polyester amide

Dimensions

Dimensions



- 1) LED
- 2) Switching point

Sensor, Series SN6

- Plug, Form B, industry, 2-pin
- ATEX
- Reed
- Indirect mounting for series TRB, ITS



Certificates

ATEX class G

ATEX class D

Ambient temperature min./max.

Protection class

Switching point precision

Min./max. DC operating voltage

Min./max. AC operating voltage

LED status display

ATEX

II 3G Ex nC nA IIC T4 Gc

II 3D Ex tc IIIB/IIIC T125°C Dc

-10 ... 50 °C

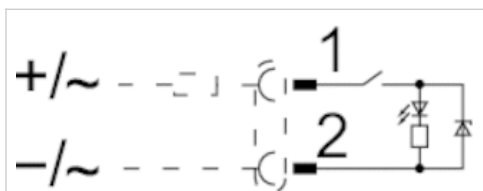
IP65

±0,1 mT

21.6 ... 26.4 V DC

210 ... 240 V AC

Yellow



Technical data

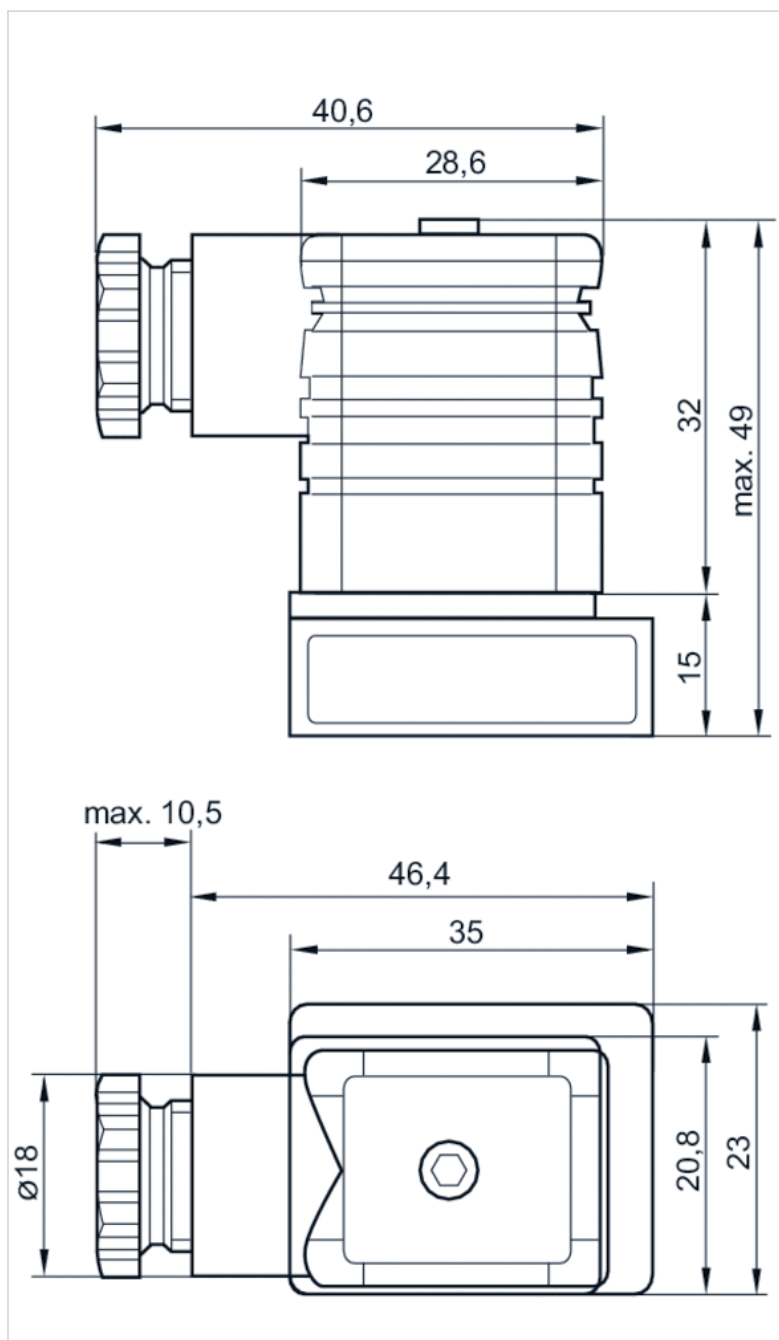
Part No.	Type of contact	DC switching current, max.	AC switching current, max.
R412000823	Reed	0.1 A	0.1 A

Part No.	Version
R412000823	Protected against polarity reversal

Technical information

Material	
Housing	Polyester amide

Dimensions



Sensor, Series SN6

- with cable
- without wire end ferrule, tin-plated, 2-pin
- Heat resistant
- Reed
- Indirect mounting for series TRB, ITS



Ambient temperature min./max.	See table below
Protection class	IP67, IP65
Switching point precision	±0,1 mT
Min./max. DC operating voltage	10 ... 48 V DC
Min./max. AC operating voltage	10 ... 48 V AC
LED status display	Yellow
Vibration resistance	35 g (50 - 2000 Hz)
Shock resistance	50 g / 11 ms
Cable length L	2.5 6 10 m

Technical data

Part No.		Type of contact	Cable length L	DC switching current, max.
8940412022		Reed	2.5 m	0.5 A
8940412032		Reed	6 m	0.5 A
8940411902		Reed	2.5 m	3 A
8940411922		Reed	10 m	3 A

Part No.	AC switching current, max.	Ambient temperature min./max.	Switching capacity
8940412022	0.5 A	-25 ... 75 °C	50 W / 50 VA
8940412032	0.5 A	-25 ... 75 °C	50 W / 50 VA
8940411902	3 A	-20 ... 105 °C	60 W / 60 VA
8940411922	3 A	-20 ... 105 °C	60 W / 60 VA

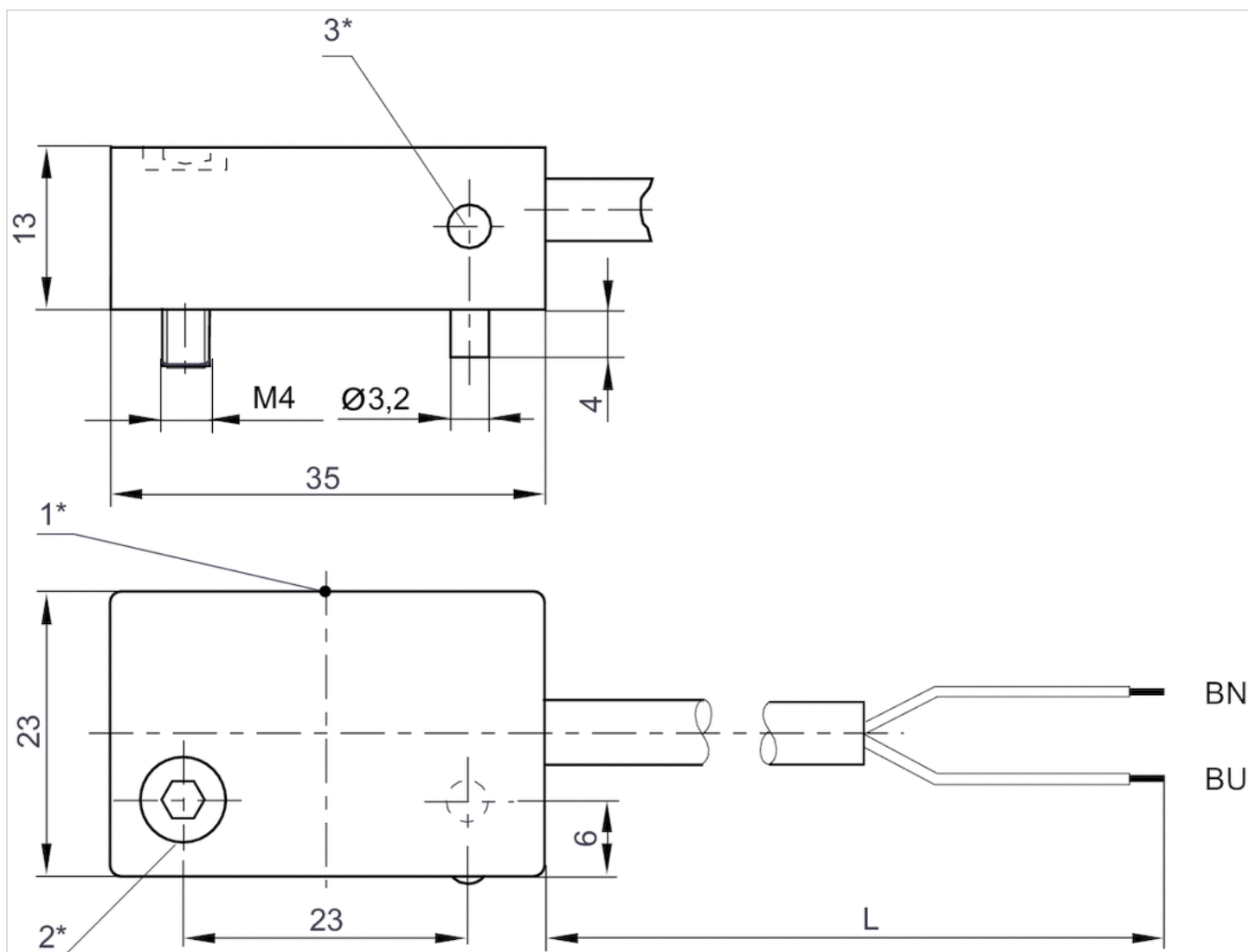
Part No.	Version
8940412022	Protected against polarity reversal
8940412032	Protected against polarity reversal
8940411902	Protected against polarity reversal
8940411922	Protected against polarity reversal

Technical information

Material	
Housing	Polyester amide
Cable sheath	Polyvinyl chloride

Dimensions

Dimensions



1* = switching point 2* = clamping screw 3* = LED

L = cable length

BN=brown, BU=blue

Sensor mounting, Series CB1

- for series ST6, SN2, SN6, SN1, SM6, SM6-AL

- to mount on cylinder C12P, ITS



Weight

See table below

Technical data

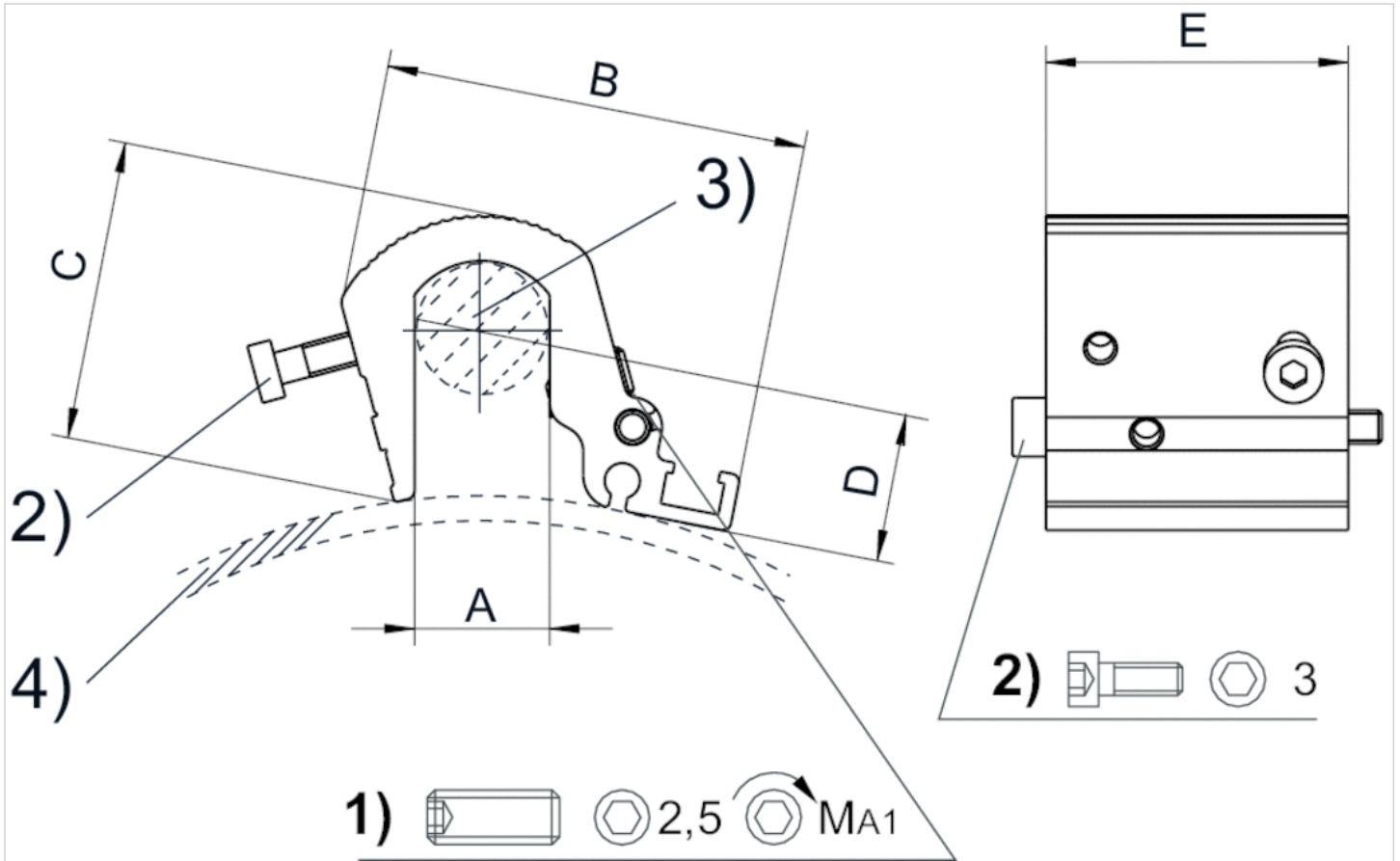
Part No.	Cylinders Ø		for series	Weight
	min.	max.		
R412017979	160 mm	200 mm	ST6, SN2, SN6, SN1, SM6, SM6-AL	0.058 kg
R412017980	250 mm	320 mm	ST6, SN2, SN6, SN1, SM6, SM6-AL	0.073 kg

Scope of delivery: Incl. mounting screws

Technical information

Material	
	Aluminum

Dimensions



1) Clamping threaded pin 2) Mounting screws for sensor 3) Tie rod 4) Cylinder profile

Dimensions

Part No.	Cylinders Ø	A	B	C	D	E	MA1 [Nm]
R412017979	200 mm	16	51	36	6.8	36	2
R412017980	320 mm	24	56	44.5	6.8	36	2

Scope of delivery: Incl. mounting screws

Sensor mounting, Series CB1

- for series SN6

- to mount on cylinder TRB, CVI, 523



Weight

0.028 kg

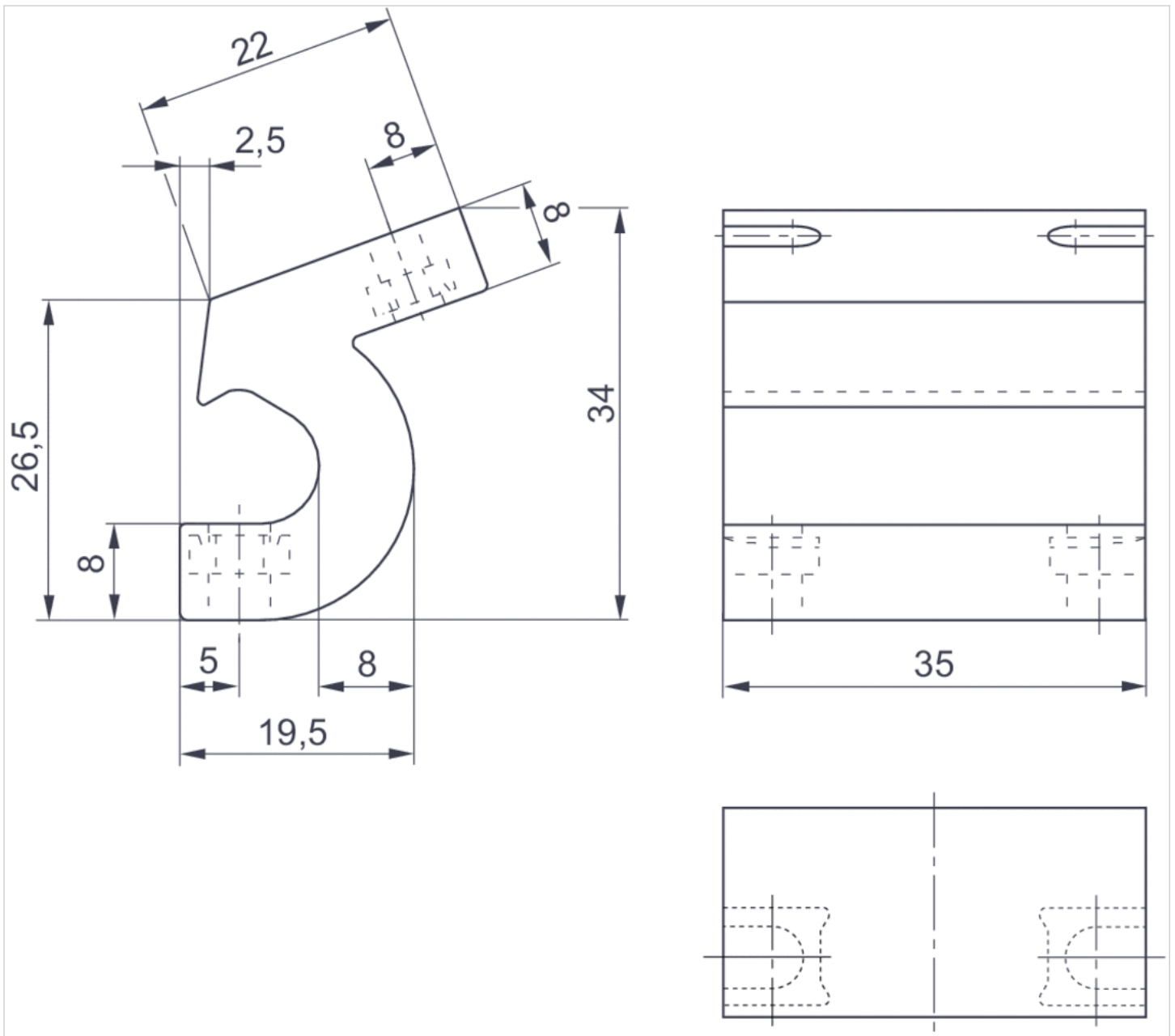
Technical data

Part No.	Cylinders Ø		for series
	min.	max.	
5230033502	32 mm	63 mm	SN6

Technical information

Material	
	Polyamide

Dimensions



Dimensions

Part No.	Cylinders Ø
5230033502	32 63 mm

Sensor mounting, Series CB1

- for series SN6

- to mount on cylinder TRB, C12P, CVI, 523



Weight

0.034 kg

Technical data

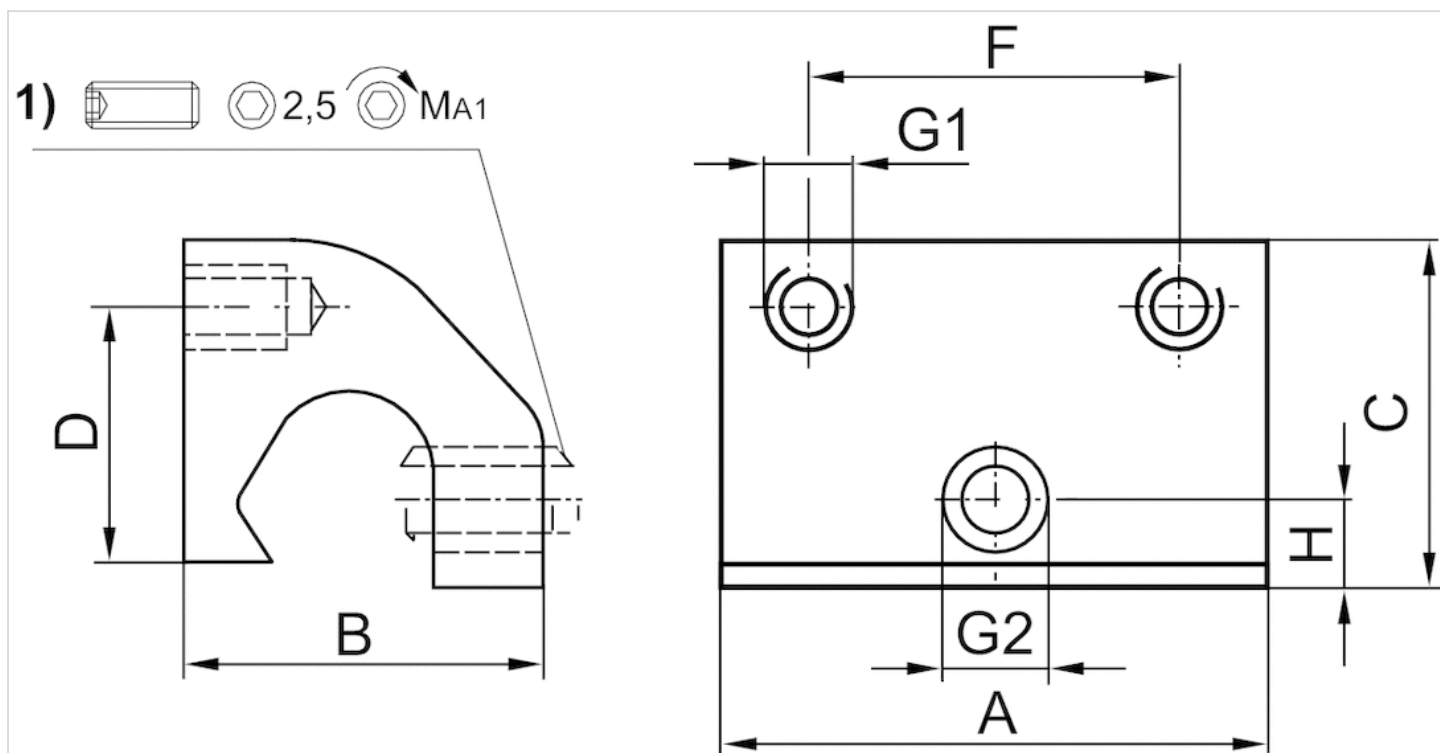
Part No.	Cylinders Ø		for series
	min.	max.	
3220643562	80 mm	125 mm	SN6
3220613562	32 mm	63 mm	SN6

Technical information

Material

Aluminum

Dimensions



1) Clamping threaded pin

Dimensions

Part No.	Cylinders Ø	A	B	C	D	F	G1	G2	H	MA1 [Nm]
3220643562	125 mm	35	22	21	12	23	M4	M5	5	1,8 +0,4
3220613562	63 mm	35	22	21	16	23	M4	M6	5	1,8 +0,4

Efficient pneumatic solutions, our program: cylinders and drives, valves and valve systems, air supply management



Visit us: Emerson.com/Aventics

Your local contact: Emerson.com/contactus



Emerson.com



[Facebook.com/EmersonAutomationSolutions](https://www.facebook.com/EmersonAutomationSolutions)



[LinkedIn.com/company/Emerson-Automation-Solutions](https://www.linkedin.com/company/Emerson-Automation-Solutions)



[Twitter.com/EMR_Automation](https://twitter.com/EMR_Automation)

An example configuration is depicted on the title page. The delivered product may thus vary from that in the illustration. Subject to change. This Document, as well as the data, specifications and other information set forth in it, are the exclusive property of AVENTICS GmbH. It may not be reproduced or given to third parties without its consent. Only use the AVENTICS products shown in industrial applications. Read the product documentation completely and carefully before using the product. Observe the applicable regulations and laws of the respective country. When integrating the product into applications, note the system manufacturer's specifications for safe use of the product. The data specified only serve to describe the product. No statements concerning a certain condition or suitability for a certain application can be derived from our information. The information given does not release the user from the obligation of own judgment and verification. It must be remembered that the products are subject to a natural process of wear and aging.

The Emerson logo is a trademark and service mark of Emerson Electric Co. Brand logotype are registered trademarks of one of the Emerson family of companies. All other marks are the property of their respective owners. © 2017 Emerson Electric Co. All rights reserved.
2019-03



CONSIDER IT SOLVED™