

Sensors, Series IN1



AVENTICS™ Sensors, Series IN1



Sensor, Series IN1

- for locking unit, series LU6



Standardization	DIN EN 60947-5-2
Certificates	cULus
Ambient temperature min./max.	-20 ... 65 °C
Protection class	IP67
Hysteresis	5 - 15%, adjustable
Temperature drift	± 10 %
Residual ripple	≤ 10 %
Reproducibility	≤ 2 %
Switching logic	NO (make contact)
LED status display	Yellow

Technical data

Part No.	Operational voltage	Switching distance max.	Power consumption	Continuous current
R412010426	10 ... 30 V DC	2 mm	10 mA	0.2 A

Part No.	Short circuit resistance
R412010426	short circuit resistant Protected against polarity reversal

Technical information

Flush installation

Switching states:

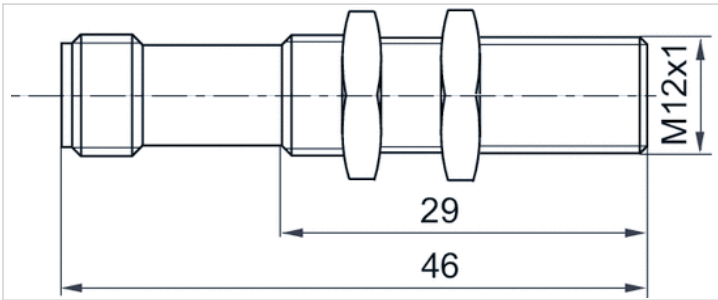
1. Pressure applied to locking unit, clamping pliers are open, sensor does not emit a signal (normally open)
2. No pressure applied to locking unit, clamping pliers are closed, sensor emits a signal (feedback that LU6 is clamping)

Technical information

Material	
Housing	Brass

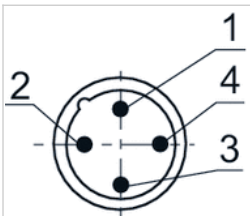
Dimensions

Dimensions



Pin assignments

Pin assignments, M12x1



Pin	1	2	3
Allocation	Pin 1: operational voltage + UB	not assigned	m = mass
	4		
	switch output Out		

Round plug connector, Series CON-RD

- Socket, M12x1, 4-pin, A-coded, straight, 180°
- UL (Underwriters Laboratories)
- unshielded



Connection type

Ambient temperature min./max.

Operational voltage

Protection class

Weight

Screws

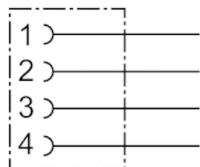
-25 ... 90 °C

48 V AC/DC

IP67

0.029 kg

The delivered product may vary from that in the illustration.



Technical data

Part No.	Max. current	suitable cable-Ø min./max
8941054324	4 A	4 mm

Technical information

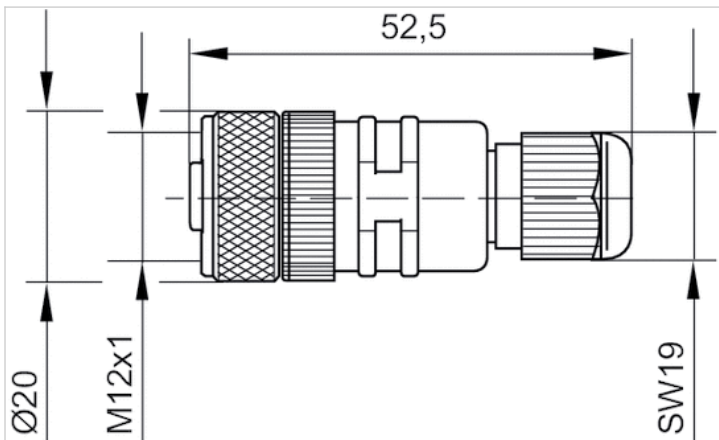
The specified protection class is only valid in assembled and tested state.

Technical information

Material	
Housing	Polybutyleneterephthalate
Seals	Fluorocarbon caoutchouc

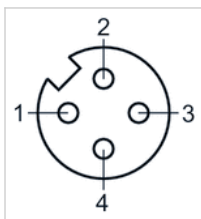
Dimensions

Dimensions



Pin assignments

Pin assignment, socket

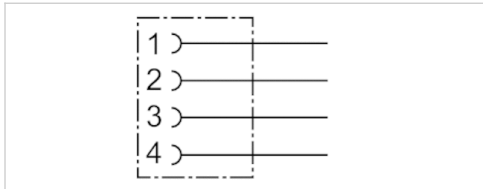


Round plug connector, Series CON-RD

- Socket, M12x1, 4-pin, A-coded, angled, 90°
- unshielded



Connection type	Screws
Ambient temperature min./max.	-25 ... 90 °C
Operational voltage	48 V AC/DC
Protection class	IP67
Weight	0.027 kg



Technical data

Part No.	Max. current	suitable cable-Ø min./max
8941054424	4 A	4 mm

Technical information

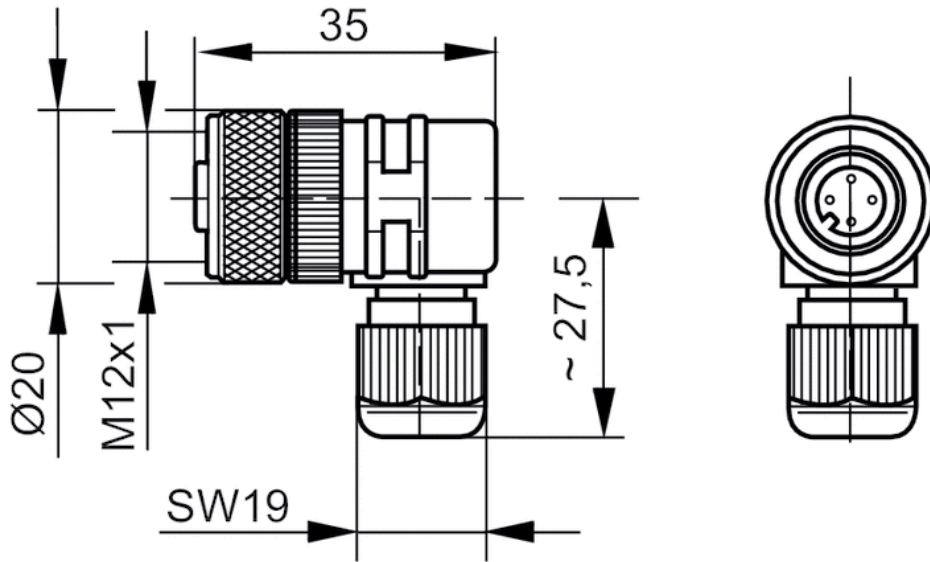
The specified protection class is only valid in assembled and tested state.

Technical information

Material	
Housing	Polybutyleneterephthalate
Seals	Fluorocarbon caoutchouc

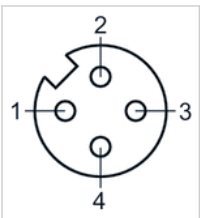
Dimensions

Dimensions



Pin assignments

Pin assignment, socket

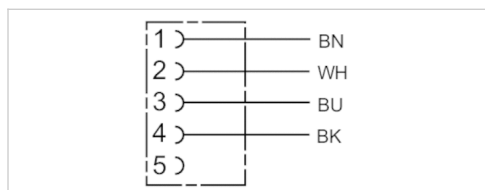


Round plug connector, Series CON-RD

- Socket M12x1 5-pin A-coded angled 90°
- open cable ends
- for DeviceNet
- with cable
- unshielded



Ambient temperature min./max.	-40 ... 85 °C
Operational voltage	48 V AC/DC
Protection class	IP65
Wire cross-section	0.34 mm ²
Weight	See table below



Technical data

Part No.	Max. current	Number of wires	Cable-Ø	Cable length	Weight
1834484259	4 A	4	5.2 mm	3 m	0.126 kg
1834484260	4 A	4	5.2 mm	5 m	0.195 kg
1834484261	4 A	4	5.2 mm	10 m	0.38 kg

Technical information

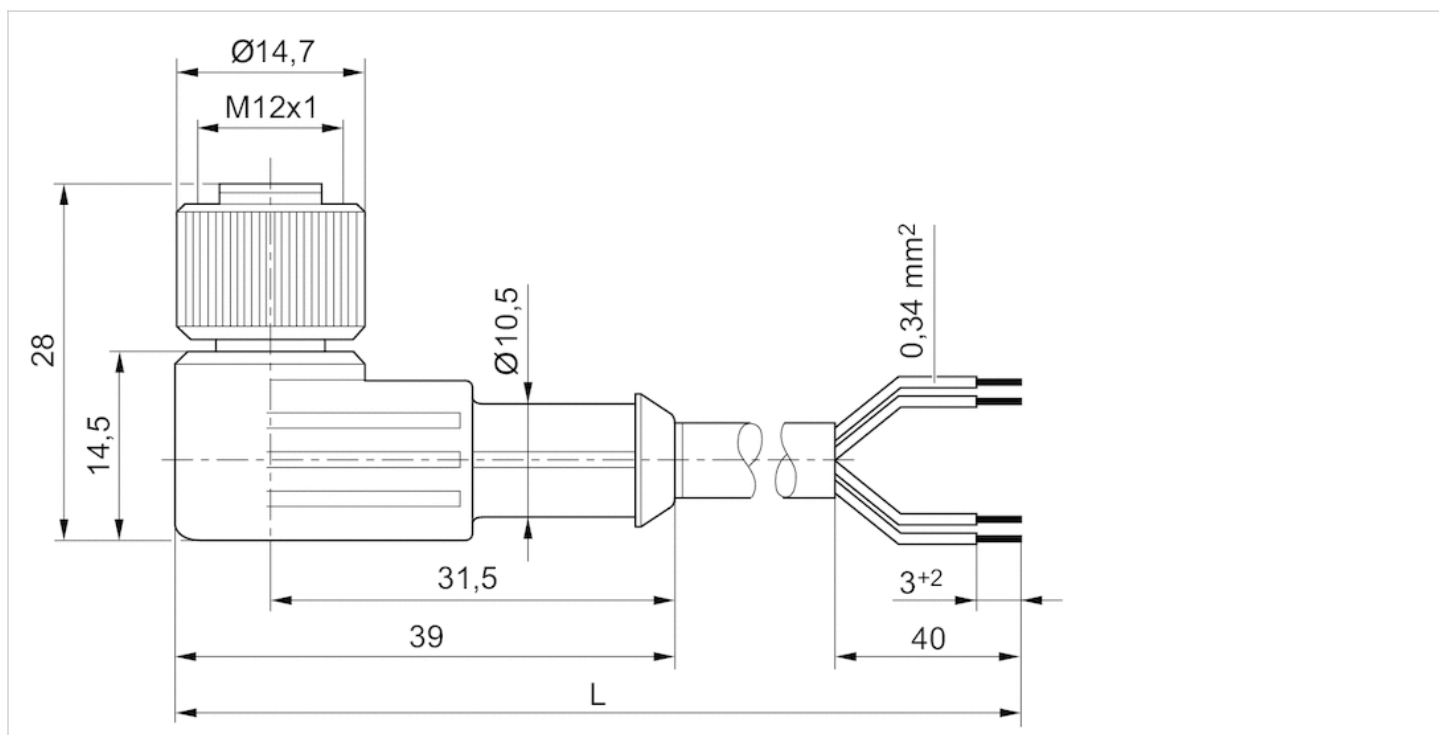
The specified protection class is only valid in assembled and tested state.

Technical information

Material	
Cable sheath	Polyurethane

Dimensions

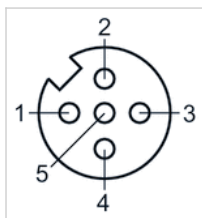
Dimensions



L = length

Pin assignments

Pin assignment, socket



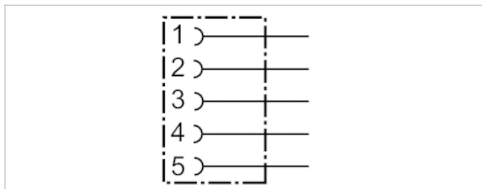
- (1) BN=brown
- (2) WH=white
- (3) BU=blue
- (4) BK=black
- (5) not assigned

Round plug connector, Series CON-RD

- Socket, M12x1, 5-pin, A-coded, straight, 180°
- for DeviceNet
- unshielded



Connection type	Screws
Ambient temperature min./max.	-40 ... 85 °C
Operational voltage	48 V AC/DC
Protection class	IP67
Weight	0.016 kg



Technical data

Part No.	Max. current	suitable cable-Ø min./max
4407230020	4 A	4 mm

Technical information

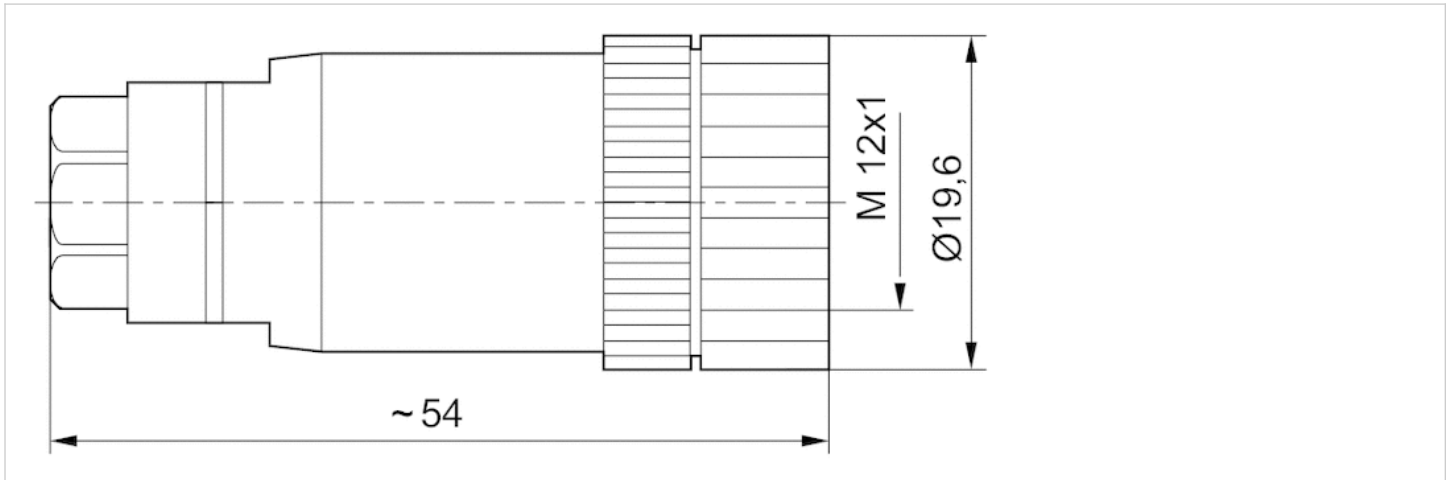
The specified protection class is only valid in assembled and tested state.

Technical information

Material	
Housing	Polyamide

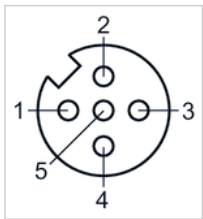
Dimensions

Dimensions



Pin assignments

Pin assignment, socket



Efficient pneumatic solutions, our program: cylinders and drives, valves and valve systems, air supply management



Visit us: [Emerson.com/Aventics](https://www.emerson.com/Aventics)

Your local contact: [Emerson.com/contactus](https://www.emerson.com/contactus)



Emerson.com



[Facebook.com/EmersonAutomationSolutions](https://www.facebook.com/EmersonAutomationSolutions)



[LinkedIn.com/company/Emerson-Automation-Solutions](https://www.linkedin.com/company/Emerson-Automation-Solutions)



[Twitter.com/EMR_Automation](https://twitter.com/EMR_Automation)

An example configuration is depicted on the title page. The delivered product may thus vary from that in the illustration. Subject to change. This Document, as well as the data, specifications and other information set forth in it, are the exclusive property of AVENTICS GmbH. It may not be reproduced or given to third parties without its consent. Only use the AVENTICS products shown in industrial applications. Read the product documentation completely and carefully before using the product. Observe the applicable regulations and laws of the respective country. When integrating the product into applications, note the system manufacturer's specifications for safe use of the product. The data specified only serve to describe the product. No statements concerning a certain condition or suitability for a certain application can be derived from our information. The information given does not release the user from the obligation of own judgment and verification. It must be remembered that the products are subject to a natural process of wear and aging.

The Emerson logo is a trademark and service mark of Emerson Electric Co. Brand logotype are registered trademarks of one of the Emerson family of companies. All other marks are the property of their respective owners. © 2017 Emerson Electric Co. All rights reserved.
2019-03



CONSIDER IT SOLVED™