

# Series 645 Pressure Regulators and Filters



**AVENTICS™ Series 645 Pressure Regulators and Filters**



# Pressure regulator, Series 645

## G645ARS22PA00H0

Series 645

- Complies with standards for railway applications



### Technical data

Compressed air connection input  
G 1/4

Compressed air connection type input  
Internal thread

Compressed air connection output  
G 1/4

Compressed air connection type output  
Internal thread

Working pressure min.  
1 bar

Working pressure max  
16 bar

Regulation range min.  
0.5 bar

Regulation range max.  
10 bar

Min. ambient temperature  
-40 °C

Max. ambient temperature  
70 °C

Min. medium temperature  
-40 °C

Max. medium temperature  
70 °C

Medium  
Compressed air

Qn 1#2  
1650 l/min

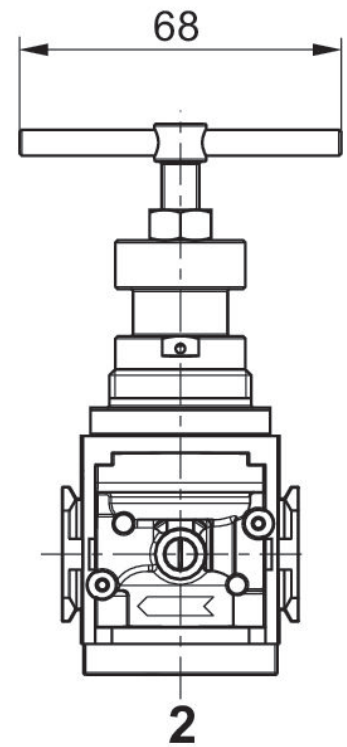
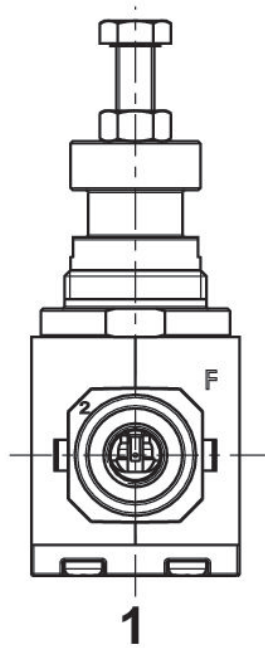
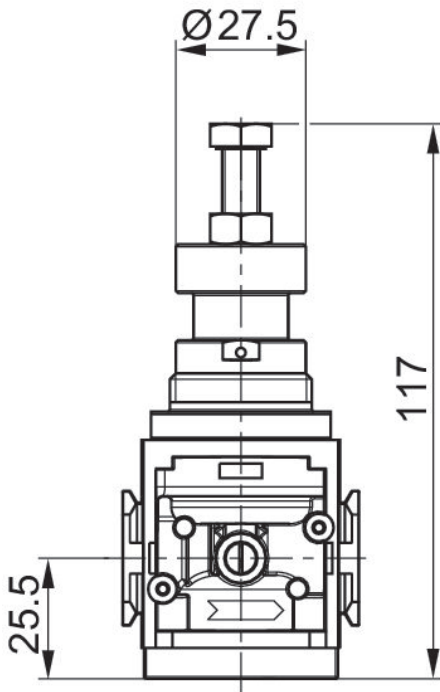
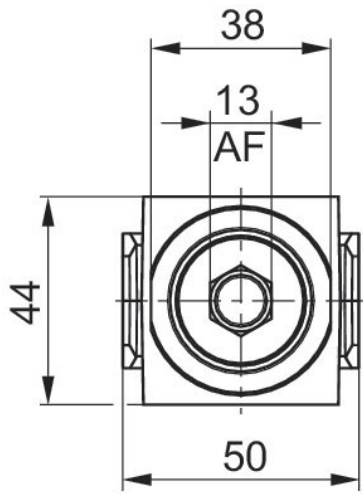
Weight  
0.247 kg

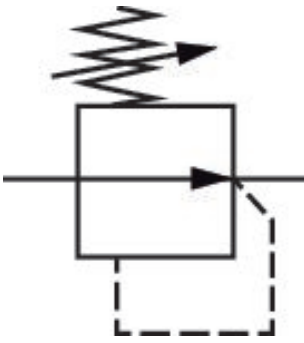
Housing material  
Aluminum  
Brass  
Polyamide

Seal material  
Acrylonitrile butadiene rubber

Part No.  
G645ARS22PA00H0

## Dimensions





# Pressure regulator, Series 645

G645ARS120A00H0

Series 645

- Complies with standards for railway applications



## Technical data

Compressed air connection input  
G 1/4

Compressed air connection type input  
Internal thread

Compressed air connection output  
G 1/4

Compressed air connection type output  
Internal thread

Working pressure min.  
1 bar

Working pressure max  
14 bar

Regulation range min.  
1 bar

Regulation range max.  
10 bar

Min. ambient temperature  
-40 °C

Max. ambient temperature  
70 °C

Min. medium temperature  
-40 °C

Max. medium temperature  
70 °C

Medium  
Compressed air

Qn 1#2  
207 l/min

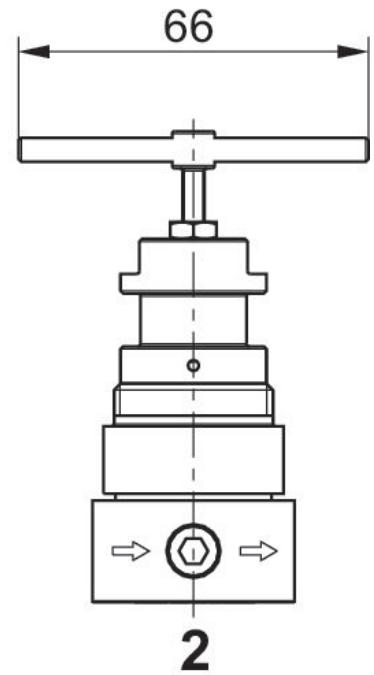
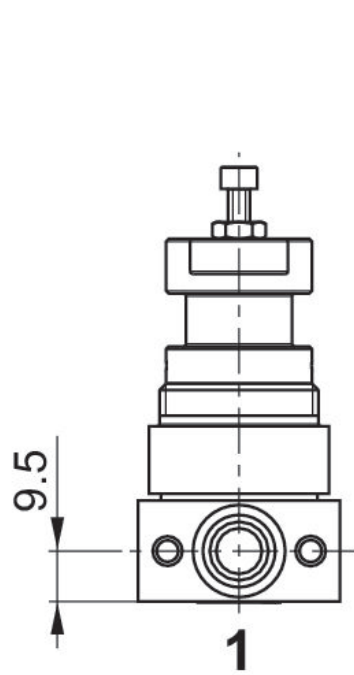
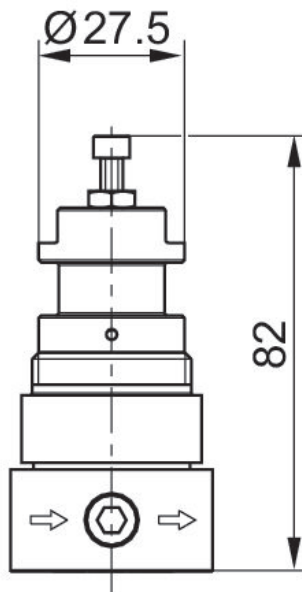
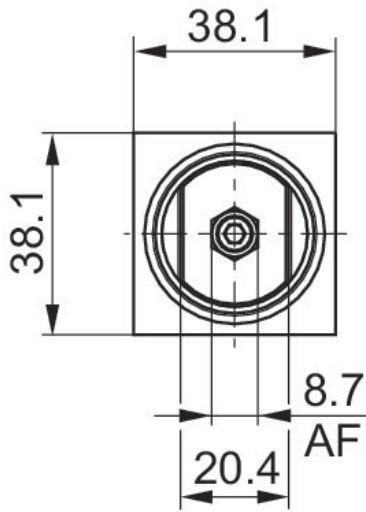
Weight  
0.13 kg

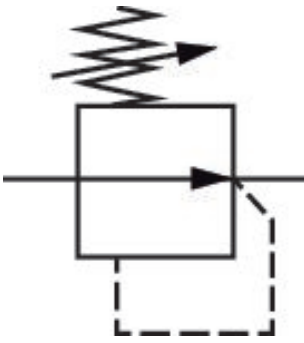
Housing material  
Aluminum  
Brass  
Polyamide

Seal material  
Acrylonitrile butadiene rubber

Part No.  
G645ARS120A00H0

### Dimensions





# Pressure regulator, Series 645

## T645ATS100A00H0

Series 645

- Complies with standards for railway applications



### Technical data

Compressed air connection input  
Base plate

Compressed air connection type input  
Base plate connection

Compressed air connection output  
Base plate

Compressed air connection type output  
Base plate connection

Working pressure min.  
1 bar

Working pressure max  
14 bar

Regulation range min.  
1 bar

Regulation range max.  
10 bar

Min. ambient temperature  
-40 °C

Max. ambient temperature  
70 °C

Min. medium temperature  
-40 °C

Max. medium temperature  
70 °C

Medium  
Compressed air

Qn 1#2  
198 l/min

Weight  
0.153 kg

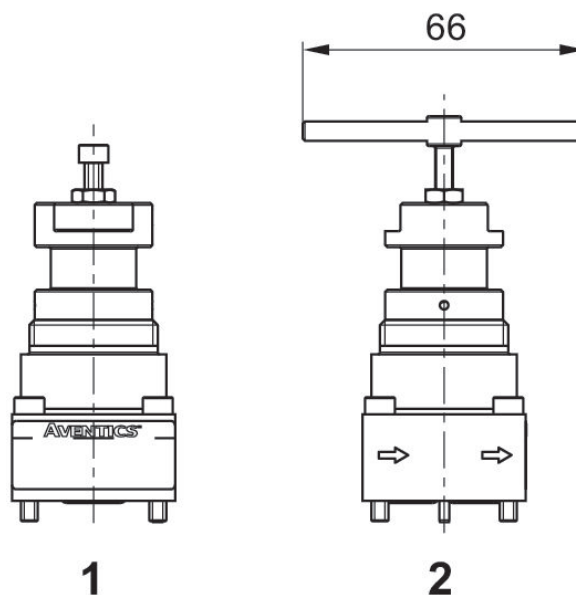
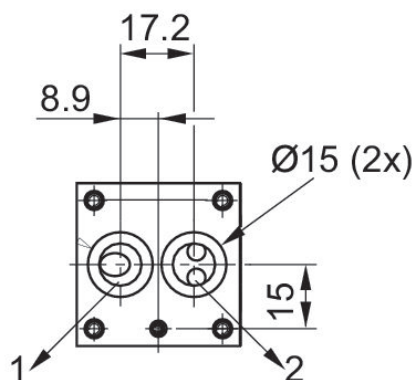
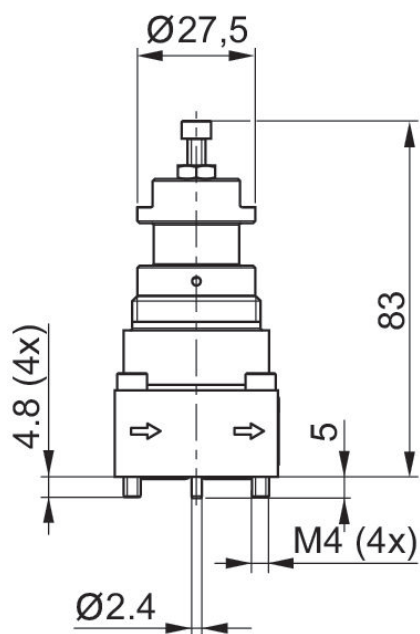
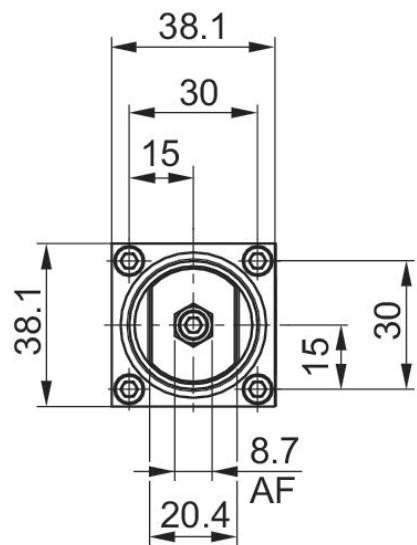
Housing material  
Aluminum  
Brass  
Polyamide

Seal material  
Acrylonitrile butadiene rubber

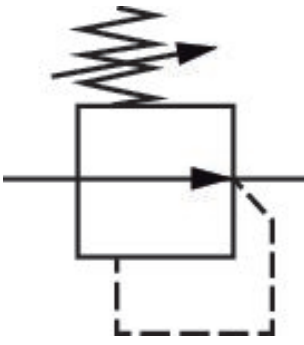
Part No.  
T645ATS100A00H0



## Dimensions



- 1) Port 1 (Input)
- 2) Port 2 (Output)



# Pressure regulator, Series 645

## T645ATS200A00H0

Series 645

- Complies with standards for railway applications



### Technical data

Compressed air connection input  
Base plate

Compressed air connection type input  
Base plate connection

Compressed air connection output  
Base plate

Compressed air connection type output  
Base plate connection

Working pressure min.  
1 bar

Working pressure max  
16 bar

Regulation range min.  
0.5 bar

Regulation range max.  
10 bar

Min. ambient temperature  
-40 °C

Max. ambient temperature  
70 °C

Min. medium temperature  
-40 °C

Max. medium temperature  
70 °C

Medium  
Compressed air

Qn 1#2  
1133 l/min

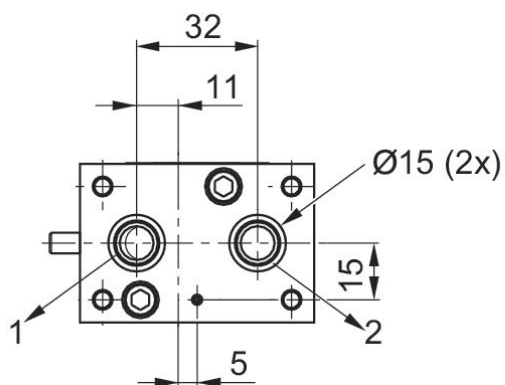
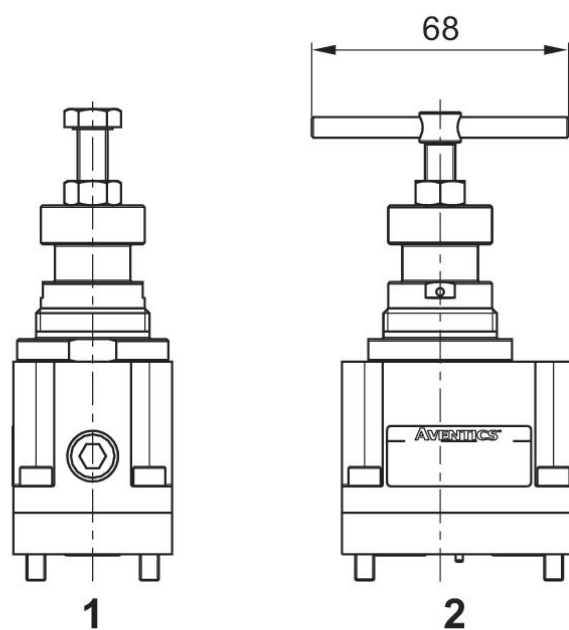
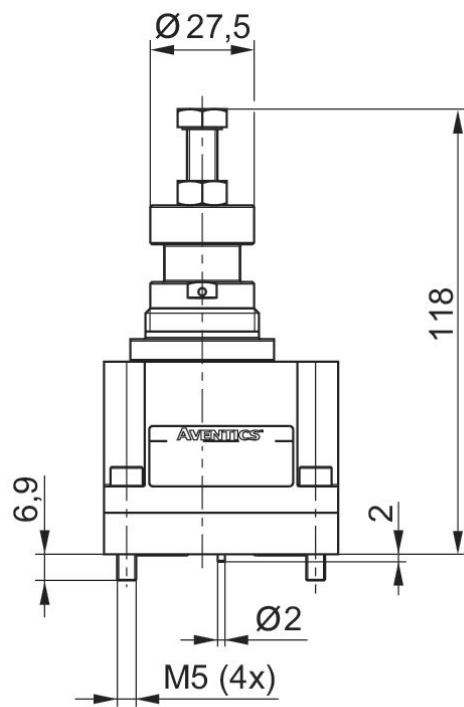
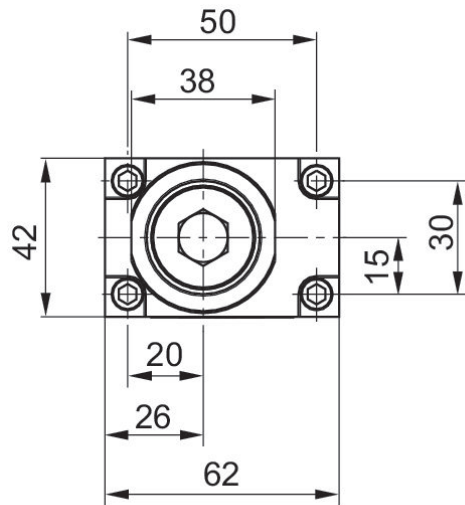
Weight  
0.385 kg

Housing material  
Aluminum  
Brass  
Polyamide

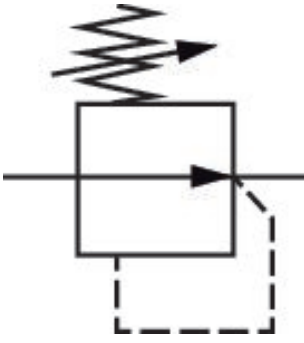
Seal material  
Acrylonitrile butadiene rubber

Part No.  
T645ATS200A00H0

## Dimensions



- 1) Port 1 (Input)  
2) Port 2 (Output)

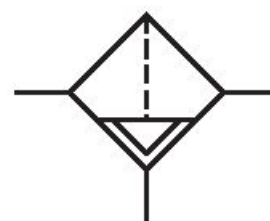


# Filter, Series 645

8645ABBK2JA000Q

General series information  
Series 645

- The Series 645 Railway Filters are designed for the unique needs of the railway industry. The units meet railway regulations for Fire Safety (EN 45545: HL3), Shock & Vibration (EN 61373: Cat 1 Class B), and Corrosion Resistance (ISO 9227).



## Technical data

Industry  
Industrial

Parts  
Filter

Port  
1/4 NPT

Filter porosity  
5  $\mu\text{m}$

Nominal flow Qn  
1250 l/min

Condensate drain  
Manual

Working pressure min.  
0 bar

Working pressure max  
16 bar

Min. ambient temperature  
-40 °C

Max. ambient temperature  
70 °C

Medium  
Compressed air

Weight  
0.34 kg

## Material

Housing material  
Aluminum

Seal material  
Nitrile butadiene rubber

Material filter insert  
Borosilicate glass fiber  
Polyester

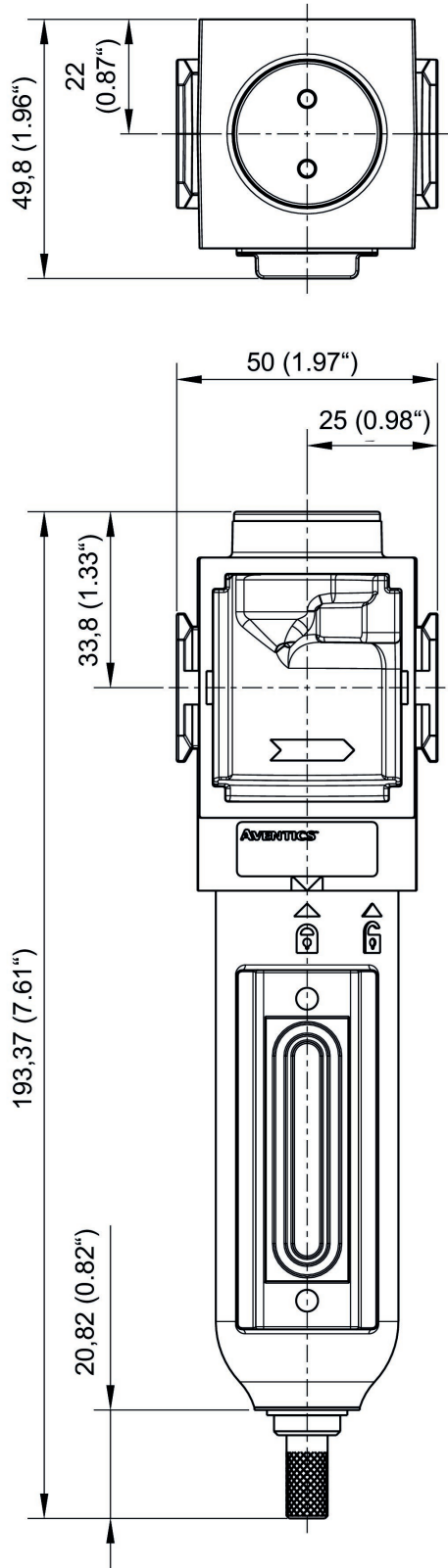
Material condensate drain  
Stainless Steel  
Part No.  
8645ABBK2JA000Q

## Technical information

Max. achievable compressed air class acc. to ISO 8573-1:2010 5 : 8 : 4 (5 µm filter porosity) und 6 : 8 : 4 (25µm filter porosity)

Other filter porosities on request.

Dimensions in mm (inch)





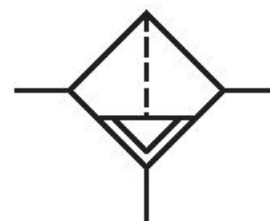
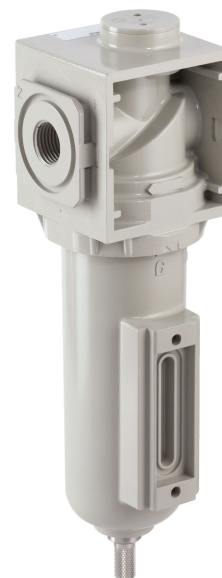
# Filter, Series 645

8645AFDK2JA000Q

## General series information

### Series 645

- The Series 645 Railway Filters are designed for the unique needs of the railway industry. The units meet railway regulations for Fire Safety (EN 45545: HL3), Shock & Vibration (EN 61373: Cat 1 Class B), and Corrosion Resistance (ISO 9227).



## Technical data

Industry  
Industrial

Parts  
Filter

Port  
1/4 NPT

Filter porosity  
0.3  $\mu\text{m}$

Nominal flow Qn  
480 l/min

Condensate drain  
Manual

Working pressure min.  
0 bar

Working pressure max  
16 bar

Min. ambient temperature  
-40 °C

Max. ambient temperature  
70 °C

Medium  
Compressed air

Weight  
0.339 kg

## Material

Housing material  
Aluminum

Seal material  
Nitrile butadiene rubber

Material filter insert  
Borosilicate glass fiber  
Polyester

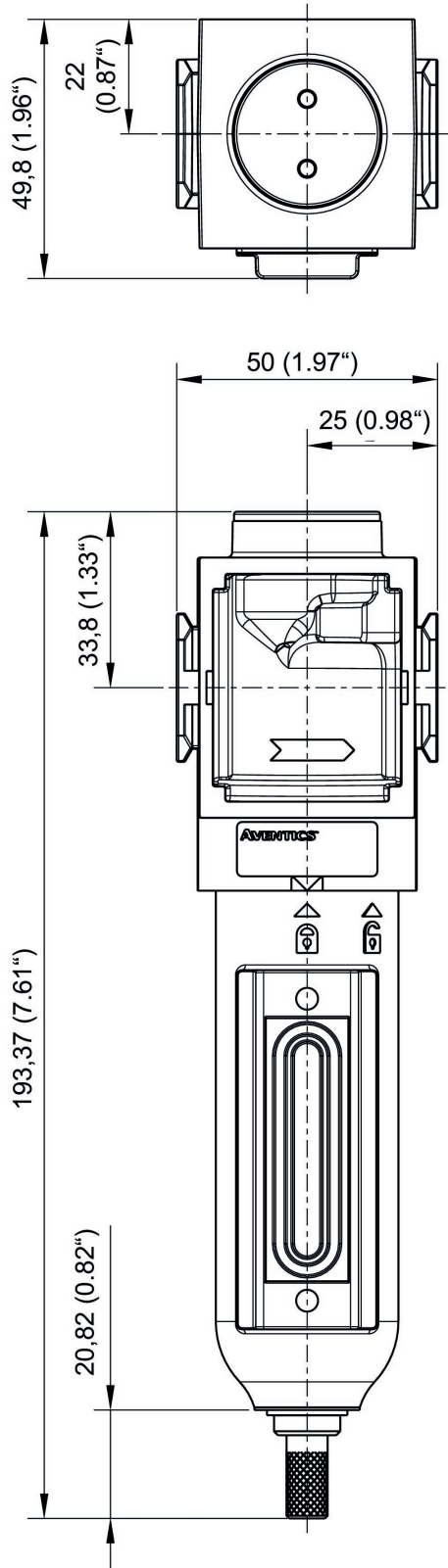
Material condensate drain  
Stainless Steel  
Part No.  
8645AFDK2JA000Q

## Technical information

Max. achievable compressed air class acc. to ISO 8573-1:2010 3 : 7 : 3 (0,3 µm filter porosity) and 2 : 7 : 2 (0,01 µm filter porosity)

Other filter porosities on request.

Dimensions in mm (inch)

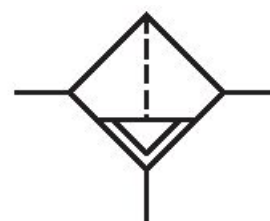


# Filter, Series 645

## G645ABBK2JA000Q

### General series information Series 645

- The Series 645 Railway Filters are designed for the unique needs of the railway industry. The units meet railway regulations for Fire Safety (EN 45545: HL3), Shock & Vibration (EN 61373: Cat 1 Class B), and Corrosion Resistance (ISO 9227).



### Technical data

Industry  
Industrial

Parts  
Filter

Port  
G 1/4

Filter porosity  
5  $\mu\text{m}$

Nominal flow Qn  
1250 l/min

Condensate drain  
Manual

Working pressure min.  
0 bar

Working pressure max  
16 bar

Min. ambient temperature  
-40 °C

Max. ambient temperature  
70 °C

Medium  
Compressed air

Weight  
0.513 kg

### Material

Housing material  
Aluminum

Seal material  
Nitrile butadiene rubber

Material filter insert  
Borosilicate glass fiber  
Polyester

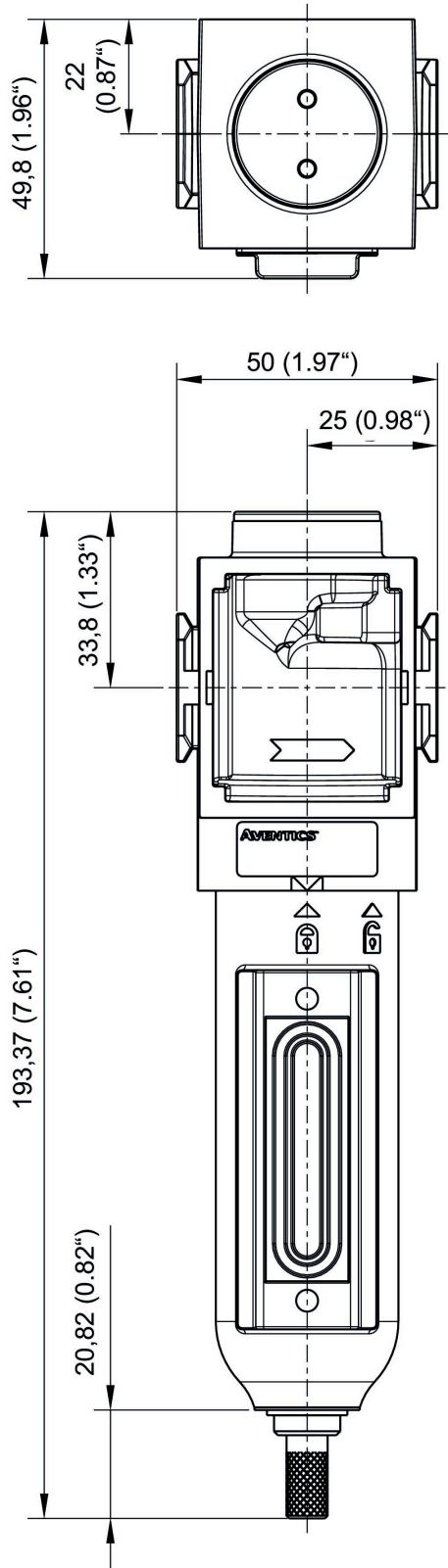
Material condensate drain  
Stainless Steel  
Part No.  
G645ABBK2JA000Q

## Technical information

Max. achievable compressed air class acc. to ISO 8573-1:2010 5 : 8 : 4 (5 µm filter porosity) und 6 : 8 : 4 (25µm filter porosity)

Other filter porosities on request.

Dimensions in mm (inch)



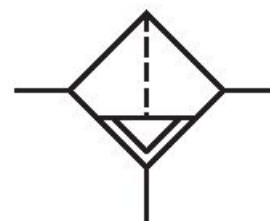
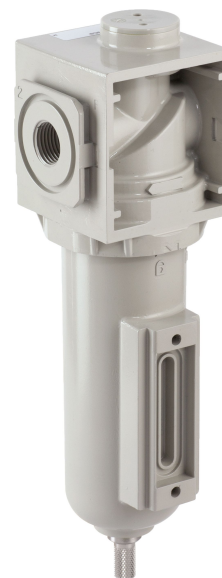
# Filter, Series 645

G645AFDK2JA000Q

## General series information

### Series 645

- The Series 645 Railway Filters are designed for the unique needs of the railway industry. The units meet railway regulations for Fire Safety (EN 45545: HL3), Shock & Vibration (EN 61373: Cat 1 Class B), and Corrosion Resistance (ISO 9227).



## Technical data

Industry  
Industrial

Parts  
Filter

Port  
G 1/4

Filter porosity  
0.3  $\mu\text{m}$

Nominal flow Qn  
480 l/min

Condensate drain  
Manual

Working pressure min.  
0 bar

Working pressure max  
16 bar

Min. ambient temperature  
-40 °C

Max. ambient temperature  
70 °C

Medium  
Compressed air

Weight  
0.339 kg

## Material

Housing material  
Aluminum

Seal material  
Nitrile butadiene rubber

Material filter insert  
Borosilicate glass fiber  
Polyester

Material condensate drain  
Stainless Steel  
Part No.  
G645AFDK2JA000Q

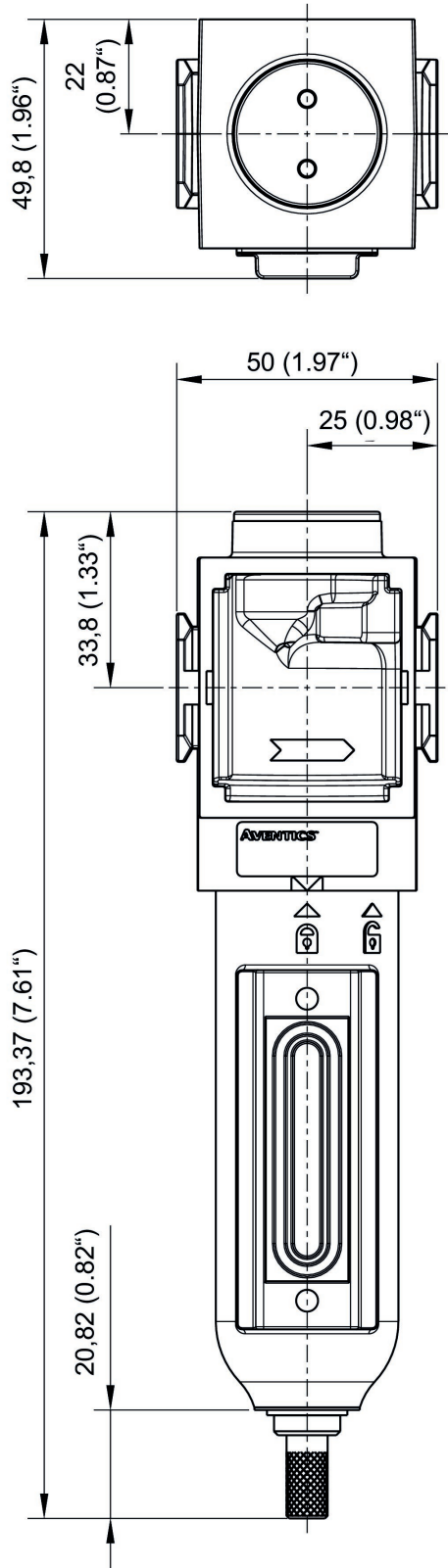
## Technical information

Max. achievable compressed air class acc. to ISO 8573-1:2010 3 : 7 : 3 (0,3 µm filter porosity) and 2 : 7 : 2 (0,01 µm filter porosity)

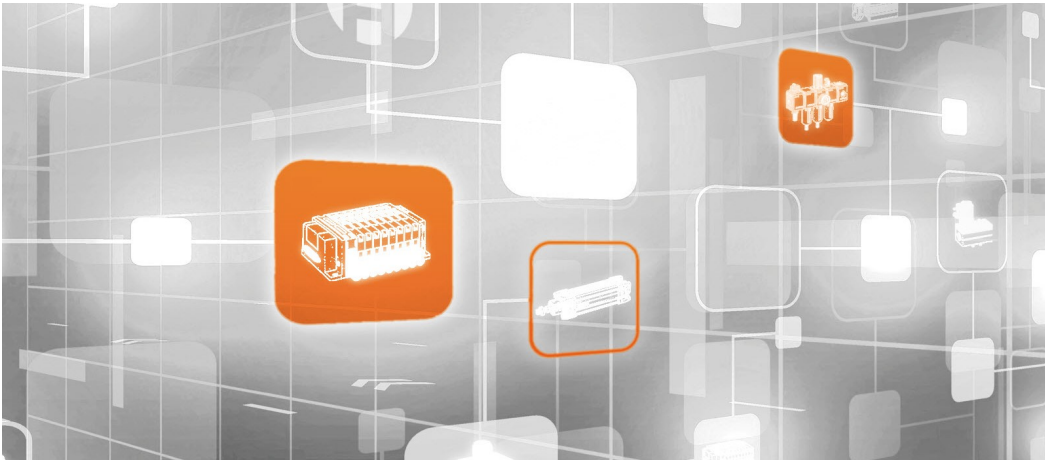
Other filter porosities on request.



Dimensions in mm (inch)



# Efficient pneumatic solutions, our program: cylinders and drives, valves and valve systems, air supply management



Visit us: [Emerson.com/Aventics](https://www.emerson.com/Aventics)

Your local contact: [Emerson.com/contactus](https://www.emerson.com/contactus)



Emerson.com



[Facebook.com/EmersonAutomationSolutions](https://www.facebook.com/EmersonAutomationSolutions)



[LinkedIn.com/company/Emerson-Automation-Solutions](https://www.linkedin.com/company/Emerson-Automation-Solutions)



[Twitter.com/EMR\\_Automation](https://twitter.com/EMR_Automation)

An example configuration is depicted on the title page. The delivered product may thus vary from that in the illustration. Subject to change. This Document, as well as the data, specifications and other information set forth in it, are the exclusive property of AVENTICS GmbH. It may not be reproduced or given to third parties without its consent. Only use the AVENTICS products shown in industrial applications. Read the product documentation completely and carefully before using the product. Observe the applicable regulations and laws of the respective country. When integrating the product into applications, note the system manufacturer's specifications for safe use of the product. The data specified only serve to describe the product. No statements concerning a certain condition or suitability for a certain application can be derived from our information. The information given does not release the user from the obligation of own judgement and verification. It must be remembered that the products are subject to a natural process of wear and aging.

The Emerson logo is a trademark and service mark of Emerson Electric Co. Brand logotype are registered trademarks of one of the Emerson family of companies. All other marks are the property of their respective owners. © 2020 Emerson Electric Co. All rights reserved. 2022-08-23



**CONSIDER IT SOLVED™**