




Description & Features:

- Economical, non-sparking brass case gauge
- 1.5" (40mm), 2" (50mm) and 2.5" (63mm) brass case
- "USE NO OIL" on dial
- Brass socket
- Threaded-on polycarbonate lens
- ASME B40.100 compliant
- CRN registered
- 5 year warranty

Applications:

- Welding tank regulators or manifolds, beverage dispensing regulators and other pressurized tanks
- Used on the down stream side of a regulator and high pressure of cylinder gases

Specifications

Dial	1.5" (40mm), 2" (50mm), 2.5" (63mm) white aluminum with black and red markings
Case	Brass, polished
Lens	Polycarbonate, threaded
Socket	Brass
Connection	1.5" (40mm) dial: 1/8" NPT bottom, 2" (50mm), 2.5" (63mm): 1/4" NPT bottom
Bourdon Tube	Phosphor bronze
Movement	Brass
Pointer	Aluminum, painted black
Welding	Silver alloy
Over-pressure Limit	25% of full scale value
Working Pressure	Maximum 75% of full scale value
Ambient/Process Temperature	-40°F to 150°F (-40°C to 65°C)
Accuracy	±3-2-3% ANSI/ASME Grade B
Enclosure Rating	IP52
Warning	 WARNING: This product can expose you to chemicals including lead, which is known to the State of California to cause cancer and birth defects or other reproductive harm. For more information go to www.P65Warnings.ca.gov .

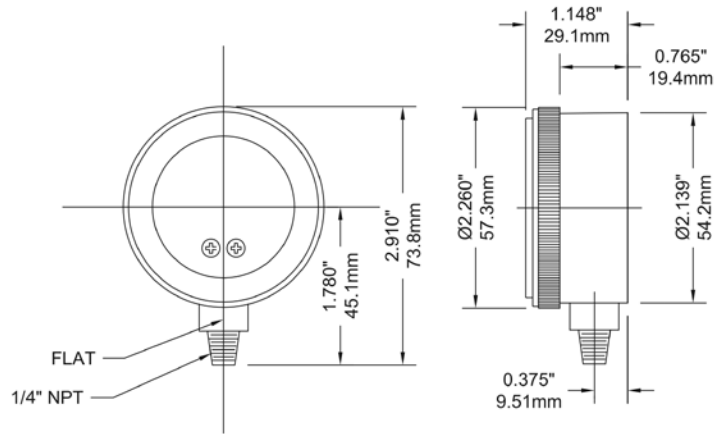
Note: Also see PCG Compressed Gas Gauge for more choices

Order Codes (products in bold are normally stock in North America)

Dial Size	1.5" (40mm)	2" (50mm)	2.5" (63mm)
Connection	1/8" Bottom	1/4" Bottom	1/4" Bottom
0/30 psi/kPa	PWL2620	PWL2720	PWL2820
0/60 psi/kPa	PWL2621	PWL2721	PWL2821
0/100 psi/kPa	PWL2622	PWL2722	PWL2822
0/160 psi/kPa	-	PWL2723	-
0/200 psi/kPa	PWL2624	PWL2724	PWL2824
0/400 psi/kPa	PWL2626	PWL2726	PWL2826
0/600 psi/kPa	PWL2627	PWL2727	-
0/3,000 psi/kPa	-	PWL2731	-
0/4,000 psi/kPa	PWL2632	PWL2732	PWL2832

Other ranges and connection sizes available upon request. For scale change, refer to How to Order Guide for scale codes.

2" Bottom Connection



2.5" Bottom Connection

