

Note; RoHS applies to SS and Monel® internals only

### Description & Features:

- StabilizR® dampened movement minimizes effects of pulsation and vibration as effectively as liquid filled gauges
- Solid phenolic front and polypropylene pressure relief back safety case
- ±0.5% accuracy
- Stainless steel full rotary movement
- Micrometer adjustable pointer for ease in calibration
- Under and overload stops
- 316L stainless steel or brass wetted parts standard
- Restricted orifice standard on dual scale (optional on single scale)
- ASME B40.100 compliant
- CRN registered
- 5 year warranty

### Applications:

- Ideally suited for process, chemical, petroleum and power industries
- Suitable for non-clogging corrosive media
- Used where operator safety is a requirement
- Processes where pulsation and vibration exist

Specifications	Stainless Steel Internals	Brass Internals
<b>Dial</b>	4.5" (115mm) aluminum with black and red markings	4.5" (115mm) white aluminum with black and red markings
<b>Case</b>	Black phenolic with pressure relief back, solid front, integral back flange	Black phenolic with pressure relief back, solid front, integral back flange
<b>Solid Wall</b>	Phenolic	Phenolic
<b>Pressure Relief Back</b>	Polypropylene	Polypropylene
<b>Window</b>	Polycarbonate	Polycarbonate
<b>Ring</b>	Phenolic	Phenolic
<b>Pointer</b>	Aluminum, anodized black, micrometer adjustable	Aluminum, anodized black, micrometer adjustable
<b>Socket</b>	316L SS	OT 58 brass
<b>Connection</b>	1/4" or 1/2" NPT standard, bottom or back	1/4" NPT or 1/2" NPT standard, bottom or back
<b>Bourdon Tube</b>	316L SS, drawn seamless	Phosphor bronze
<b>Movement</b>	304 SS with under and overload stops and StabilizR® dampened movement (silicone in sealed chamber)	304 SS with under and overload stops and StabilizR® dampened movement (silicone in sealed chamber)
<b>Gasket Materials</b>	Silicone (FKM option)	Silicone (FKM option)
<b>Welding</b>	TIG	Silver alloy
<b>Over-pressure Limit</b>	25% for pressures below 1,500 psi (10,341 kPa), 15% for pressures 1,500 to 8,700 psi (10,341 kPa to 59,984 kPa), 10% for pressures above 8,700 psi (59,984 kPa)	25% for pressures below 1,500 psi (10,341 kPa), 15% for pressures 1,500 to 8,700 psi (10,341 kPa to 59,984 kPa), 10% for pressures above 8,700 psi (59,984 kPa)
<b>Working Pressure</b>	Maximum 75% of full scale value	Maximum 75% of full scale value
<b>Ambient Temperature</b>	-40°F to 250°F (-40°C to 120°C)	-40°F to 250°F (-40°C to 120°C)
<b>Process Temperature</b>	-40°F to 250°F (-40°C to 120°C)	-40°F to 150°F (-40°C to 65°C)
<b>Accuracy</b>	±0.5% ANSI/ASME Grade 2A	±0.5% ANSI/ASME Grade 2A
<b>Enclosure Rating</b>	IP65	IP65
<b>Warning (brass internals only)</b>	N/A	<b>WARNING:</b> This product can expose you to chemicals including lead, which is known to the State of California to cause cancer and birth defects or other reproductive harm. For more information go to <a href="http://www.P65Warnings.ca.gov">www.P65Warnings.ca.gov</a> .

## Single Scale Order Codes (products in bold are normally stock in North America)

Connection	1/4" Bottom	1/4" Back (LB)	1/4" Bottom	1/4" Back (LB)	1/2" Bottom	1/2" Back (LB)
<b>Socket, Tube</b>	<b>Brass</b>		<b>SS</b>			
30" Hg Vac	PPC5080ZRR1	PPC5280ZRR1	PPC5040ZRR1	PPC5340ZRR1	PPC5060ZRR1	PPC5460ZRR1
30"/0/15 psi	PPC5120ZRR1	PPC5220ZRR1	PPC5130ZRR1	PPC5330ZRR1	PPC5140ZRR1	PPC5440ZRR1
30"/0/30 psi	PPC5121ZRR1	PPC5221ZRR1	PPC5131ZRR1	PPC5331ZRR1	PPC5141ZRR1	PPC5441ZRR1
30"/0/60 psi	PPC5122ZRR1	PPC5222ZRR1	PPC5132ZRR1	PPC5332ZRR1	PPC5142ZRR1	PPC5442ZRR1
30"/0/100 psi	PPC5123ZRR1	PPC5223ZRR1	PPC5133ZRR1	PPC5333ZRR1	PPC5143ZRR1	PPC5443ZRR1
30"/0/160 psi	PPC5124ZRR1	PPC5224ZRR1	PPC5134ZRR1	PPC5334ZRR1	PPC5144ZRR1	PPC5444ZRR1
30"/0/200 psi	PPC5125ZRR1	PPC5225ZRR1	PPC5135ZRR1	PPC5335ZRR1	PPC5145ZRR1	PPC5445ZRR1
30"/0/300 psi	PPC5126ZRR1	PPC5226ZRR1	PPC5136ZRR1	PPC5336ZRR1	PPC5146ZRR1	PPC5446ZRR1
0/15 psi	PPC5081ZRR1	PPC5281ZRR1	PPC5041ZRR1	PPC5341ZRR1	PPC5061ZRR1	PPC5461ZRR1
0/30 psi	PPC5082ZRR1	PPC5282ZRR1	PPC5042ZRR1	PPC5342ZRR1	PPC5062ZRR1	PPC5462ZRR1
0/60 psi	PPC5083ZRR1	PPC5283ZRR1	PPC5043ZRR1	PPC5343ZRR1	PPC5063ZRR1	PPC5463ZRR1
0/100 psi	PPC5084ZRR1	PPC5284ZRR1	PPC5044ZRR1	PPC5344ZRR1	PPC5064ZRR1	PPC5464ZRR1
0/160 psi	PPC5085ZRR1	PPC5285ZRR1	PPC5045ZRR1	PPC5345ZRR1	PPC5065ZRR1	PPC5465ZRR1
0/200 psi	PPC5086ZRR1	PPC5286ZRR1	PPC5046ZRR1	PPC5346ZRR1	PPC5066ZRR1	PPC5466ZRR1
0/300 psi	PPC5087ZRR1	PPC5287ZRR1	PPC5047ZRR1	PPC5347ZRR1	<b>PPC5067ZRR1</b>	PPC5467ZRR1
0/400 psi	PPC5088ZRR1	PPC5288ZRR1	PPC5048ZRR1	PPC5348ZRR1	PPC5068ZRR1	PPC5468ZRR1
0/600 psi	PPC5089ZRR1	PPC5289ZRR1	PPC5049ZRR1	PPC5349ZRR1	PPC5069ZRR1	PPC5469ZRR1
0/800 psi	-	-	PPC5058ZRR1	PPC5358ZRR1	PPC5078ZRR1	PPC5478ZRR1
0/1,000 psi	PPC5098ZRR1	PPC5298ZRR1	PPC5050ZRR1	PPC5350ZRR1	PPC5070ZRR1	PPC5470ZRR1
<b>Connection</b>	<b>1/2" Bottom</b>	<b>1/2" Back (LB)</b>	<b>1/4" Bottom</b>	<b>1/4" Back (LB)</b>	<b>1/2" Bottom</b>	<b>1/2" Back (LB)</b>
0/1,000 psi	PPC5188ZRR1	PPC5290ZRR1	PPC5050ZRR1	PPC5350ZRR1	PPC5070ZRR1	PPC5470ZRR1
0/1,500 psi	PPC5091ZRR1	PPC5291ZRR1	PPC5051ZRR1	PPC5351ZRR1	PPC5071ZRR1	PPC5471ZRR1
0/2,000 psi	PPC5092ZRR1	PPC5292ZRR1	PPC5052ZRR1	PPC5352ZRR1	PPC5072ZRR1	PPC5472ZRR1
0/3,000 psi	PPC5093ZRR1	PPC5293ZRR1	PPC5053ZRR1	PPC5353ZRR1	PPC5073ZRR1	PPC5473ZRR1
0/5,000 psi	PPC5094ZRR1	PPC5294ZRR1	PPC5054ZRR1	PPC5354ZRR1	PPC5074ZRR1	PPC5474ZRR1
0/10,000 psi	PPC5095ZRR1	PPC5295ZRR1	PPC5055ZRR1	PPC5355ZRR1	PPC5075ZRR1	PPC5475ZRR1
0/15,000 psi	PPC5096ZRR1	PPC5296ZRR1	PPC5056ZRR1	PPC5356ZRR1	PPC5076ZRR1	PPC5476ZRR1
0/20,000 psi	PPC5097ZRR1	PPC5297ZRR1	PPC5057ZRR1	PPC5357ZRR1	PPC5077ZRR1	PPC5477ZRR1

Note: Restrictor screws are not standard on single scale gauges

Other ranges and connection sizes available upon request. For scale change, refer to How to Order Guide for scale codes. 1/2" NPT brass available on ranges below 1,000 psi.

**For options, attach suffix to end of order code: i.e. PPC5284ZRR1-FMR for FLUSH MOUNTED RING.**

### Option suffix:

CS = Carbon steel socket/stainless steel tube

FMR = Flush mounted ring

HCSF = 4.5" (115mm) Solid front hinged case (back connection only)

MAXI45 = 4.5" (115mm) Maxi pointer

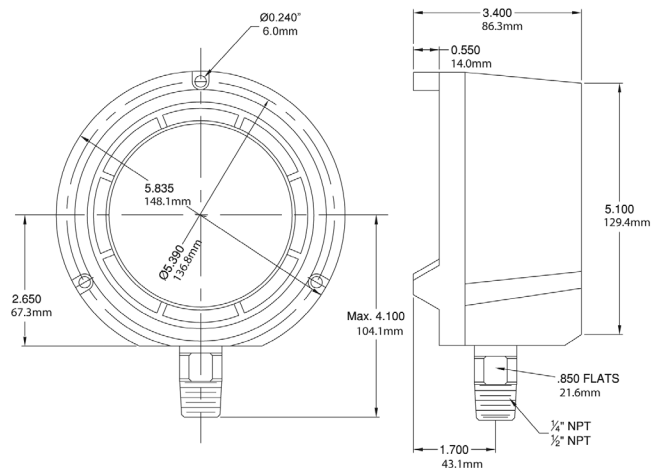
MS = Monel® tube and socket

SG-45 = 4.5" (115mm) Safety glass

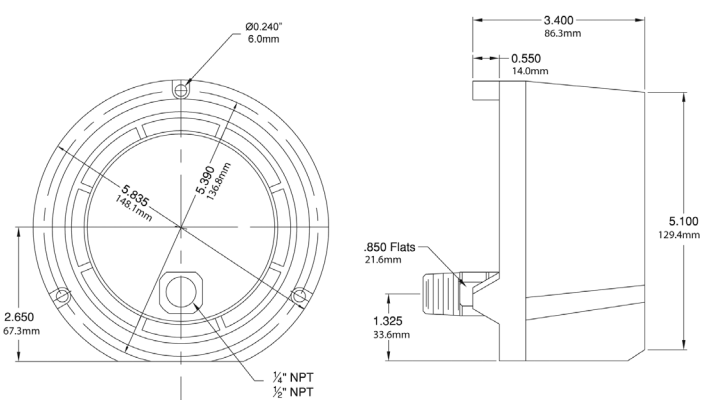
REST = Restrictor screw

For WinBRIGHT dial options refer to Custom Dials

### 4.5" Bottom Connection



### 4.5" Back Connection



### Dual Scale Order Codes (products in bold are normally stock in North America)

Connection	1/4" Bottom	1/4" Back (LB)	1/4" Bottom	1/4" Back (LB)	1/2" Bottom	1/2" Back (LB)
Socket, Tube	Brass		SS			
30" Hg Vac/kPa	PPC5080ZR	PPC5280ZR	PPC5040ZR	PPC5340ZR	PPC5060ZR	PPC5460ZR
30"/0/15 psi/kPa	PPC5120ZR	PPC5220ZR	PPC5130ZR	PPC5330ZR	PPC5140ZR	PPC5440ZR
30"/0/30 psi/kPa	PPC5121ZR	PPC5221ZR	PPC5131ZR	PPC5331ZR	PPC5141ZR	PPC5441ZR
30"/0/60 psi/kPa	PPC5122ZR	PPC5222ZR	PPC5132ZR	PPC5332ZR	PPC5142ZR	PPC5442ZR
30"/0/100 psi/kPa	PPC5123ZR	PPC5223ZR	PPC5133ZR	PPC5333ZR	PPC5143ZR	PPC5443ZR
30"/0/160 psi/kPa	PPC5124ZR	PPC5224ZR	PPC5134ZR	PPC5334ZR	PPC5144ZR	PPC5444ZR
30"/0/200 psi/kPa	PPC5125ZR	PPC5225ZR	PPC5135ZR	PPC5335ZR	PPC5145ZR	PPC5445ZR
30"/0/300 psi/kPa	PPC5126ZR	PPC5226ZR	PPC5136ZR	PPC5336ZR	PPC5146ZR	PPC5446ZR
0/15 psi/kPa	PPC5081ZR	PPC5281ZR	PPC5041ZR	PPC5341ZR	PPC5061ZR	PPC5461ZR
0/30 psi/kPa	PPC5082ZR	PPC5282ZR	PPC5042ZR	PPC5342ZR	PPC5062ZR	PPC5462ZR
0/60 psi/kPa	PPC5083ZR	PPC5283ZR	PPC5043ZR	PPC5343ZR	PPC5063ZR	PPC5463ZR
0/100 psi/kPa	PPC5084ZR	PPC5284ZR	PPC5044ZR	PPC5344ZR	PPC5064ZR	PPC5464ZR
0/160 psi/kPa	PPC5085ZR	PPC5285ZR	PPC5045ZR	PPC5345ZR	<b>PPC5065ZR</b>	PPC5465ZR
0/200 psi/kPa	PPC5086ZR	PPC5286ZR	PPC5046ZR	PPC5346ZR	PPC5066ZR	PPC5466ZR
0/300 psi/kPa	PPC5087ZR	PPC5287ZR	PPC5047ZR	PPC5347ZR	PPC5067ZR	PPC5467ZR
0/400 psi/kPa	PPC5088ZR	PPC5288ZR	PPC5048ZR	PPC5348ZR	PPC5068ZR	PPC5468ZR
0/600 psi/kPa	PPC5089ZR	PPC5289ZR	PPC5049ZR	PPC5349ZR	PPC5069ZR	PPC5469ZR
0/800 psi/kPa	PPC5099ZR	PPC5299ZR	PPC5058ZR	PPC5358ZR	PPC5078ZR	PPC5478ZR
0/1,000 psi/kPa	PPC5098ZR	PPC5298ZR	PPC5050ZR	PPC5350ZR	PPC5070ZR	PPC5470ZR
Connection	1/2"	1/2"	1/4"	1/4"	1/2"	1/2"
0/800 psi/kPa	PPC5188ZR	PPC5198ZR	PPC5058ZR	PPC5358ZR	PPC5078ZR	PPC5478ZR
0/1,000 psi/kPa	PPC5090ZR	PPC5290ZR	PPC5050ZR	PPC5350ZR	PPC5070ZR	PPC5470ZR
0/1,500 psi/kPa	PPC5091ZR	PPC5291ZR	PPC5051ZR	PPC5351ZR	PPC5071ZR	PPC5471ZR
0/2,000 psi/kPa	PPC5092ZR	PPC5292ZR	PPC5052ZR	PPC5352ZR	PPC5072ZR	PPC5472ZR
0/3,000 psi/kPa	PPC5093ZR	PPC5293ZR	PPC5053ZR	PPC5353ZR	PPC5073ZR	PPC5473ZR
0/5,000 psi/kPa	PPC5094ZR	PPC5294ZR	PPC5054ZR	PPC5354ZR	PPC5074ZR	PPC5474ZR
0/10,000 psi/kPa	PPC5095ZR	PPC5295ZR	PPC5055ZR	PPC5355ZR	PPC5075ZR	PPC5475ZR
0/15,000 psi/kPa	PPC5096ZR	PPC5296ZR	PPC5056ZR	PPC5356ZR	PPC5076ZR	PPC5476ZR
0/20,000 psi/kPa	PPC5097ZR	PPC5297ZR	PPC5057ZR	PPC5357ZR	PPC5077ZR	PPC5477ZR

Other ranges and connection sizes available upon request. For scale change, refer to How to Order Guide for scale codes. 1/2" NPT brass available on ranges below 1,000 psi/kPa. **For options, attach suffix to end of order code: i.e. PPC5284ZR-FMR for FLUSH MOUNTED RING.**

**Option suffix:**

CS = Carbon steel socket/stainless steel tube  
 FMR = Flush mounted ring  
 HCSF = 4.5" (115mm) Solid front hinged case (back connection only)

MAXI45 = 4.5" (115mm) Maxi pointer  
 MS = MoneI® tube and socket  
 SG-45 = 4.5" (115mm) Safety glass

For WinBRIGHT dial options refer to Custom Dials