

### Description & Features:

- Single or dual set point
- “Hg to 150 psi pressure range
- Fixed deadband
- Simple set point adjustment
- Anodized aluminum housing with stainless steel diaphragm
- Hermetically sealed contacts available (excluding vacuum models)
- ±0.5% accuracy
- NEMA 4 enclosure rating (NEMA 4X optional)
- CRN registered
- 5 year warranty

### Applications:

- Suitable for oil and gas, mining and general industrial applications

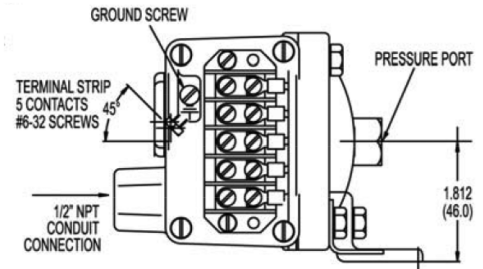
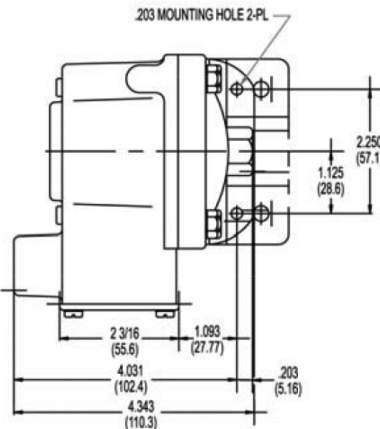
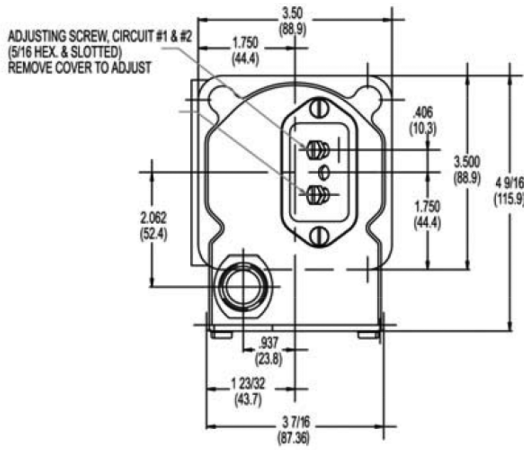
Specifications	
<b>Housing Material</b>	Anodized aluminum
<b>Accuracy</b>	±0.5% of the adjustable range
<b>Pressure Connection</b>	1/4" NPTF
<b>Electrical Connection</b>	Terminal block through 1/2" NPTF conduit connector
<b>Wetted Parts</b>	304 SS process connection and 17-7 PH SS diaphragm
<b>Set Point Adjustment</b>	Self locking adjustment screw
<b>Deadband</b>	Fixed
<b>Contact Rating</b>	10 amps @ 125/250 Vac
<b>No. of Contacts</b>	1 x SPDT (2 x SPDT optional)
<b>Ambient Temperature</b>	-65°F to 165°F (-54°C to 74°C)
<b>Storage Temperature</b>	-65°F to 200°F (-54°C to 93°C)
<b>Enclosure Rating</b>	NEMA 4 (NEMA 4X optional)
<b>Approvals</b>	CRN registered
<b>Weight</b>	2.0 lbs (907 grams)

Note: Hermetically sealed option is only available for 1 x SPDT switches

### Order Codes

Adjustable Range "Hg (mbar)		Approximate Deadband (Actuation value) "Hg (mbar)	Proof Pressure "Hg (mbar)	NEMA 4 Code	NEMA 4X Code
Min	Max				
0.06 (2)	6 (203)	0.14-0.28 (4.7-9.5)	20 (677)	4WPS103VN4	4WPS103VN4FX
0.8 (2.7)	30 (1,016)	0.4-0.8 (14-27)	30 (1,016)	4WPS118VN4	4WPS118VN4FX

Adjustable Range psi (bar)		Approximate Deadband (Actuation value) psi (bar)	Proof Pressure psi (bar)	NEMA 4 Code	NEMA 4X Code
Min	Max				
0.03 (0)	3 (0.2)	0.07-0.15 (0-0.01)	10 (0.7)	4WPS1003N4	4WPS1003N4FX
0.4 (0.03)	18 (1.2)	0.12-0.26 (0.01-0.02)	60 (4.1)	4WPS1018N4	4WPS1018N4FX
0.5 (0.03)	80 (5.5)	1.6-3.4 (0.1-0.2)	160 (10.9)	4WPS1080N4	4WPS1080N4FX
1.5 (0.1)	150 (10.3)	2.3-6 (0.2-0.4)	300 (20.4)	4WPS1150N4	4WPS1150N4FX

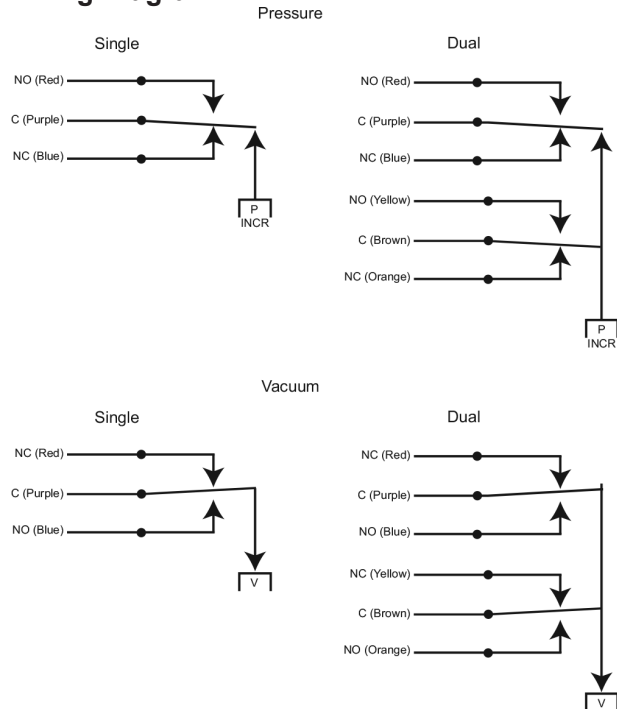


Switches

### Wiring Code

Lead	Pressure		Vacuum	
	Circuit #1	Circuit #2	Circuit #1	Circuit #2
Normally Open	Red	Yellow	Blue	Orange
Common	Purple	Brown	Purple	Brown
Normally Closed	Blue	Orange	Red	Yellow

### Wiring Diagram



## Series Number (how to order)

### SERIES

Single set point housed with terminal block

Dual set point housed with terminal block

### SWITCH

10 amps @ 125/250 VAC, 0.5 amp @ 6-28 VDC

1 amp @ 125 VAC, 1 amp @ 24 VDC with gold contacts

4 amps @ 125/250 VAC (hermetically sealed, not available on vacuum models)

10 amps @ 125/250 VAC (hermetically sealed, not available on vacuum models)

5 amps @ 125/250 VAC (hermetically sealed, not available on vacuum models)

1 amp @ 125 VAC with gold contacts (not -UL approved, hermetically sealed, not available on vacuum models)

### PRESSURE RANGES "HG (MBAR)

Adjustable Range "HG (mbar)		Deadband (Actuation Value based on closed contact)
Min	Max	
0.06 (2)	6 (203)	0.14-0.28 (4.7-9.5)
0.8 (27)	30 (1,016)	0.4-0.8 (14-27)

### PRESSURE RANGES PSI (BAR)

Adjustable Range psi (bar)		Deadband (Actuation Value based on closed contact)
Min	Max	
0.03 (0)	3 (0.2)	0.07-0.15 (0-0.01)
0.4 (0.03)	18 (1.2)	0.12-0.26 (0.01-0.02)
0.5 (0.03)	80 (5.5)	1.6-3.4 (0.1-0.2)
1.5 (0.1)	150 (10.3)	2.3-6 (0.2-0.4)

### PRESSURE CONNECTION

1/4" NPT Female (standard)

### OPTIONS

NEMA 4X

Factory preset (consult factory)

