

ASCO™ Oil Shutoff Valves

Direct Acting | 1/8" NPT

2/2
SERIES
256

Features

- 2-way normally closed operation
- For control of commercial and industrial oil burners
- Brass body construction
- Mountable in any position
- Direct lift with resilient soft sealing for tight shutoff



Fluid

No. 2 Fuel Oil at 60 SSU

No. 4 Fuel Oil at 300 SSU

Construction

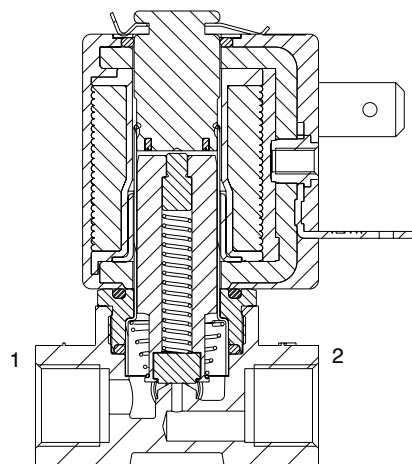
Valve Parts in Contact with Fluids	
Body	Brass
Core Tube/ Bonnet	Stainless Steel / Plated Steel
Core and Plugnut	Stainless Steel
Springs	Stainless Steel
Seals and Disc	NBR / FKM
Shading Coil	Copper



Electrical

Prefix	Standard Coil and Class of Insulation	Watt Rating and Power Consumption				Ambient Temp. °F	Spare Coil Family	
		DC Watts	AC		AC		DC	
			Watts	VA Holding				VA Inrush
U	F	6.9	6.3	8.8	12.1	-22 to 140	400117	400117
SC	F	6.9	6.3	8.8	12.1	-22 to 140	400127	400127

Standard voltages: 24, 120, 240 volts AC, 50-60 Hz. 12, 24, 120 volts DC
Must be specified when ordering.



Solenoid Enclosures

Standard: Open frame (Prefix U) 18" leads

Optional: DIN (size 11mm, form B) (Prefix SC). Watertight/IP-65 when used with DIN connector kit for SC coils (see kits below).

Valve Response Time

Opening Time: Less than 1 second

Closing Time: Less than 1 second

Kits

1/2" NPT conduit hub kit for leaded coils 224735-001-*
(Kit contains 10 pcs. of each: threaded hub, gasket and attaching screw.)

DIN connector kit for SC coils 226061-001-*
(Kit contains 10 pcs of each: connector, gasket, and attaching screw.)

Approvals

UL recognized component to standard 429 "Electrically Operated Valves," Guide Y10Z2, File MH45368 Safety Shutoff Valves.

CSA Certified to:

1) Standard C22.2 No. 139 "Electrically Operated Valves," File 234503.

Specifications English units

Pipe Size (in)	Orifice Size (in)	Cv Flow Factor	Operating Pressure Differential psi (bar)				Min Fluid Temp. °F	Max. Fluid Temp. °F		Brass	Wattage		Approx. Shipping Weight (lbs.)	
			Min.	Max. AC		Max. DC		AC	DC		AC	DC		
				#2 Fuel Oil at 60 SSU	#4 Fuel Oil at 300 SSU	#2 Fuel Oil at 60 SSU								#4 Fuel Oil at 300 SSU
General Service - Normally Closed														
1/8	3/64	0.06	0	500	500	330	330	5	180	180	U8256A089V	6.3	6.9	0.5
1/8	1/16	0.09	0	430	430	250	250	5	180	180	U8256A090V	6.3	6.9	0.5

Specifications (Metric units)

Pipe Size (in)	Orifice Size (mm)	Kv Flow Factor (m³/hr)	Operating Pressure Differential psi (bar)				Min Fluid Temp. °F	Max. Fluid Temp. °C		Brass	Wattage		Approx. Shipping Weight (kgs.)	
			Min.	Max. AC		Max. DC		AC	DC		AC	DC		
				#2 Fuel Oil at 60 SSU	#4 Fuel Oil at 300 SSU	#2 Fuel Oil at 60 SSU								#4 Fuel Oil at 300 SSU
General Service - Normally Closed														
1/8	1.2	0.05	0	34	34	22	22	-15	82	82	U8256A089V	6.3	6.9	0.22
1/8	1.16	0.09	0	29	29	17	17	-15	82	82	U8256A090V	6.3	6.9	0.22

Capabilities Chart

Solenoid Options ①							Base Catalog Number	Resilient Materials							Other	Standard Rebuild Kit		
NEMA Type 3-9	High Temp. DIN	Wiring Box Screw Terminal	Multipin	DIN	Spade	Open Frame with Leads	Brass	NBR	FKM	EPDM	RUBY	Oxygen Service	PTFE	Urethane	Vacuum	Manual Operator	Mounting Bracket	Brass AC/DC
-	-	-	-	SC	-	●	U8256A089V	-	●	-	-	-	-	-	-	-	-	-
-	-	-	-	SC	-	●	U8256A090V	-	●	-	-	-	-	-	-	-	-	-

● = Standard. ① Replace U prefix with SC prefix.

Dimensions: inches (mm)

Shown with DIN coil without connector

