



Description & Features:

- Vac to 10,000 psi pressure range
- Explosion proof SPDT or DPDT switch
- Stainless steel with FKM and PTFE wetted parts
- ANSI dual seal design
- Diaphragm seal/piston sensor
- Safe to adjust during operation
- Lockable setpoint wheel to avoid shifting during operation
- $\pm 2\%$ of full scale accuracy
- NEMA 4X, 7 & 9 enclosure rating
- CSA approved for hazardous locations
- Designed for sour gas applications requiring NACE standards MR0175-2009
- CRN registered (up to 3,000 psi models)
- 5 year warranty

Applications:

- Suitable for hazardous locations including safety panels and with pump and gas compressors, turbines and other oil & gas applications
- Appropriate for oil & gas, power plants, chemical facilities and water treatment
- Designed for hazardous locations where an explosion proof switch is required

Specifications

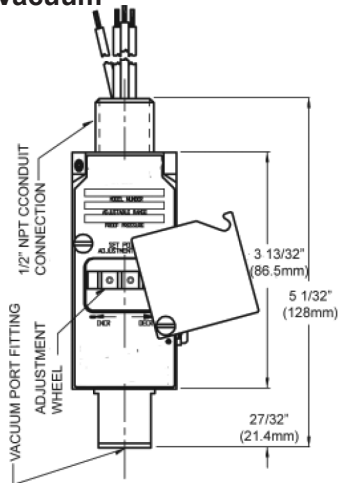
Specifications	
Housing Material	316 SS
Port Material	316 SS
Accuracy	$\pm 2\%$ of full scale
Pressure Connection	1/4" NPTF (1/2" NPTF optional)
Electrical Connection	1/2" NPTM, 18 AWG, 18" (457 mm) free leads
Wetted Parts	Vacuum and low pressure - seals: FKM diaphragm High pressure - piston: SS with PTFE backup ring and FKM o-ring
Set Point Adjustment	Internal adjustment wheel with built in locking set-screws (#6) ¹
Deadband	Fixed
Contact Rating	11 amps @ 125/250 Vac 5 amps @ 30 Vdc
No. of Contacts	1 x SPDT, DPDT (2 x SPDT, DPDT optional)
Vibration	10 g 10-500 Hz, MIL-STD-202F
Shock	50 g 11 ms, MIL-S-901C
EMI/RFI Protection	EN55011
Ambient Temperature	-40°F to 149°F (-40°C to 65°C)
Process Temperature	-40°F to 149°F (-40°C to 65°C)
Enclosure Rating	NEMA 4X, 7 & 9
Approvals	CSA approved (Canada and USA) for use in hazardous locations Class I, Div. 1, Groups B, C & D; Class II, Div. 1, Groups E, F & G CRN registered (up to 3,000 psi model) ANSI Dual Seal Compliant NACE MR0175-2009
Typical Life	2.5 million cycles
Weight	1.85 lbs (839 grams)

¹ Need to loosen set screw (#6) at all times when resetting adjustment.

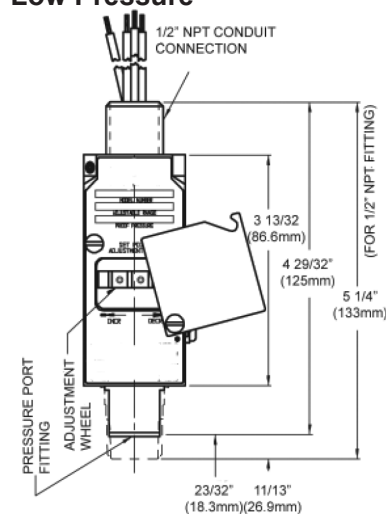
Order Codes

Adjustable Range psi (bar)		Approximate Deadband (Actuation value) psi (bar)	Proof Pressure psi (bar)	SPDT 1/4" NPT	SPDT 1/2" NPT	DPDT 1/4" NPT	DPDT 1/2" NPT
Min	Max						
1" Hg	30" Hg	4-9" Hg	30" Hg	9WPSV01N4	9WPSV01N2	9WPSV012CCVN4S	9WPSV012CCVN2S
2 (0.1)	15 (1)	1-3 (.07-.2)	1,000 (69)	9WPSL02N4	9WPSL02N2	9WPSL022CCVN4S	9WPSL022CCVN2S
1 (0.07)	30 (2)	1-4 (.07-.27)	1,000 (69)	9WPSL06N4	9WPSL06N2	9WPSL062CCVN4S	9WPSL062CCVN2S
5 (0.3)	150 (10.3)	2-25 (0.1-1.7)	1,000 (69)	9WPSL03N4	9WPSL03N2	9WPSL032CCVN4S	9WPSL032CCVN2S
25 (1.7)	300 (20.6)	7-40 (0.5-2.8)	1,000 (69)	9WPSL04N4	9WPSL04N2	9WPSL042CCVN4S	9WPSL042CCVN2S
50 (3.4)	500 (34.5)	15-60 (1-4.1)	1,000 (69)	9WPSL05N4	9WPSL05N2	9WPSL052CCVN4S	9WPSL052CCVN2S
100 (6.9)	750 (51.7)	50-150 (3.4-10.3)	15,000 (1,034)	9WPSH06N4	9WPSH06N2	9WPSH062CCVN4S	9WPSH062CCVN2S
150 (10.3)	1,000 (69)	70-200 (4.7-13.8)	15,000 (1,034)	9WPSH07N4	9WPSH07N2	9WPSH072CCVN4S	9WPSH072CCVN2S
150 (10.3)	3,000 (207)	50-1,000 (3.4-68.9)	15,000 (1,034)	9WPSH11N4	9WPSH11N2	9WPSH112CCVN4S	9WPSH112CCVN2S
400 (27.6)	3,000 (207)	100-400 (6.9-27.6)	15,000 (1,034)	9WPSH08N4	9WPSH08N2	9WPSH082CCVN4S	9WPSH082CCVN2S
700 (48.2)	5,000 (345)	140-600 (9.6-41.4)	15,000 (1,034)	9WPSH09N4	9WPSH09N2	9WPSH092CCVN4S	9WPSH092CCVN2S
1,000 (69)	7,500 (517)	140-800 (9.6-55.2)	15,000 (1,034)	9WPSH10N4	9WPSH10N2	9WPSH102CCVN4S	9WPSH102CCVN2S
5,000 (344.8)	10,000 (689.7)	200-2,000 (13.8-137.9)	15,000 (1,034)	9WPSH12N4	9WPSH12N2	9WPSH122CCVN4S	9WPSH122CCVN2S

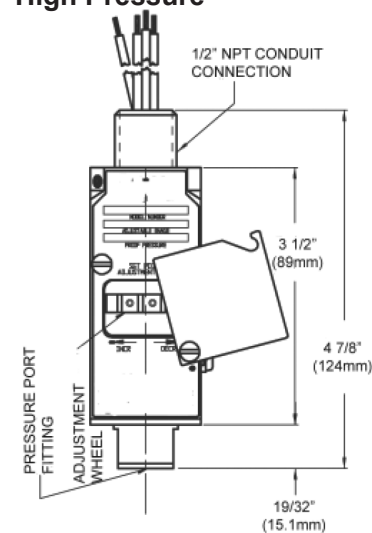
Vacuum



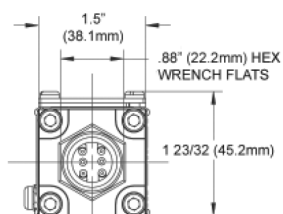
Low Pressure



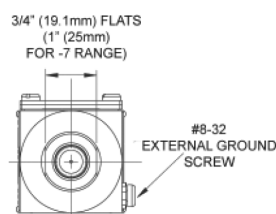
High Pressure



Top View



Bottom View



Wiring Code

Lead	Pressure		Vacuum	
	Circuit #1	Circuit #2	Circuit #1	Circuit #2
Normally Open	Red	Yellow	Red	Yellow
Common	Purple	Brown	Purple	Brown
Normally Closed	Blue	Orange	Blue	Orange
Ground	Green		Green	

Wiring Diagram

