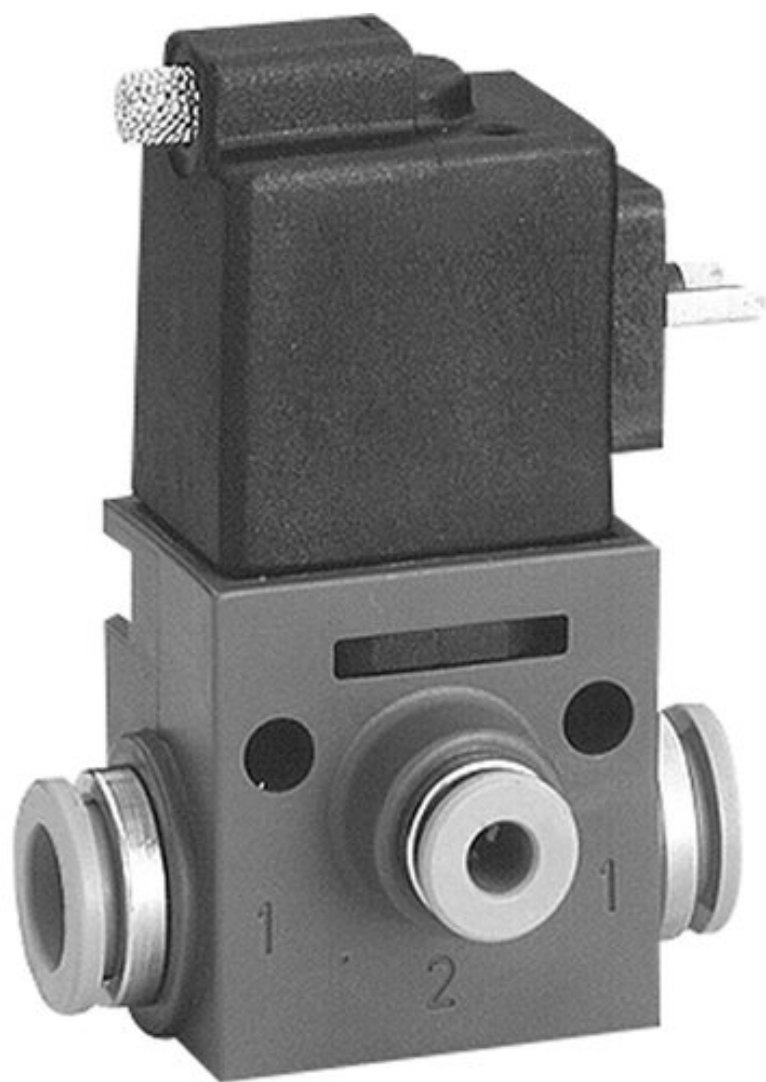


Series 490

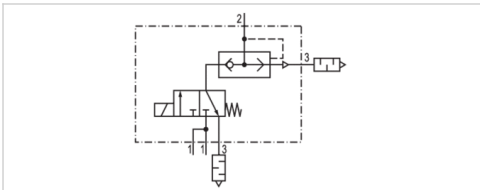


AVENTICS™ Series 490



3/2-directional valve, Series 490

- 3/2
- NC
- Pipe connection
- Compressed air connection output : Ø 4
- Electrical connection : Plug, ISO 15217, form C
- single solenoid
- With spring return
- Pilot : Internal



Version	Poppet valve
Activation	Electrically
Pilot	Internal
Sealing principle	Soft sealing
Working pressure min./max.	4 ... 7 bar
Ambient temperature min./max.	-15 ... 50 °C
Medium temperature min./max.	-15 ... 50 °C
Medium	Compressed air
Max. particle size	5 µm
Oil content of compressed air	0 ... 1 mg/m ³
Nominal flow 1 ► 2	20 l/min
Nominal flow 2 ► 3	100 l/min
Protection class with connection	IP65
Duty cycle	100 %
Typ. switch-on time	16 ms
Weight	0.079 kg

Technical data

Part No.	NC	Compressed air connection	
		Input	Output
5724970220	NC	Ø 8	Ø 4

Part No.	Operational voltage	Voltage tolerance	Power consumption
5724970220	24 V	-20% / +20%	2 W

Nominal flow Q_n at 6 bar and Δp = 1 bar

Technical information

The min. control pressure must be adhered to, since otherwise faulty switching and valve failure may result!
 The pressure dew point must be at least 15 °C under ambient and medium temperature and may not exceed 3 °C .
 The oil content of compressed air must remain constant during the life cycle.
 Use only the approved oils from AVENTICS. Further information can be found in the "Technical information" document (available in the MediaCentre).

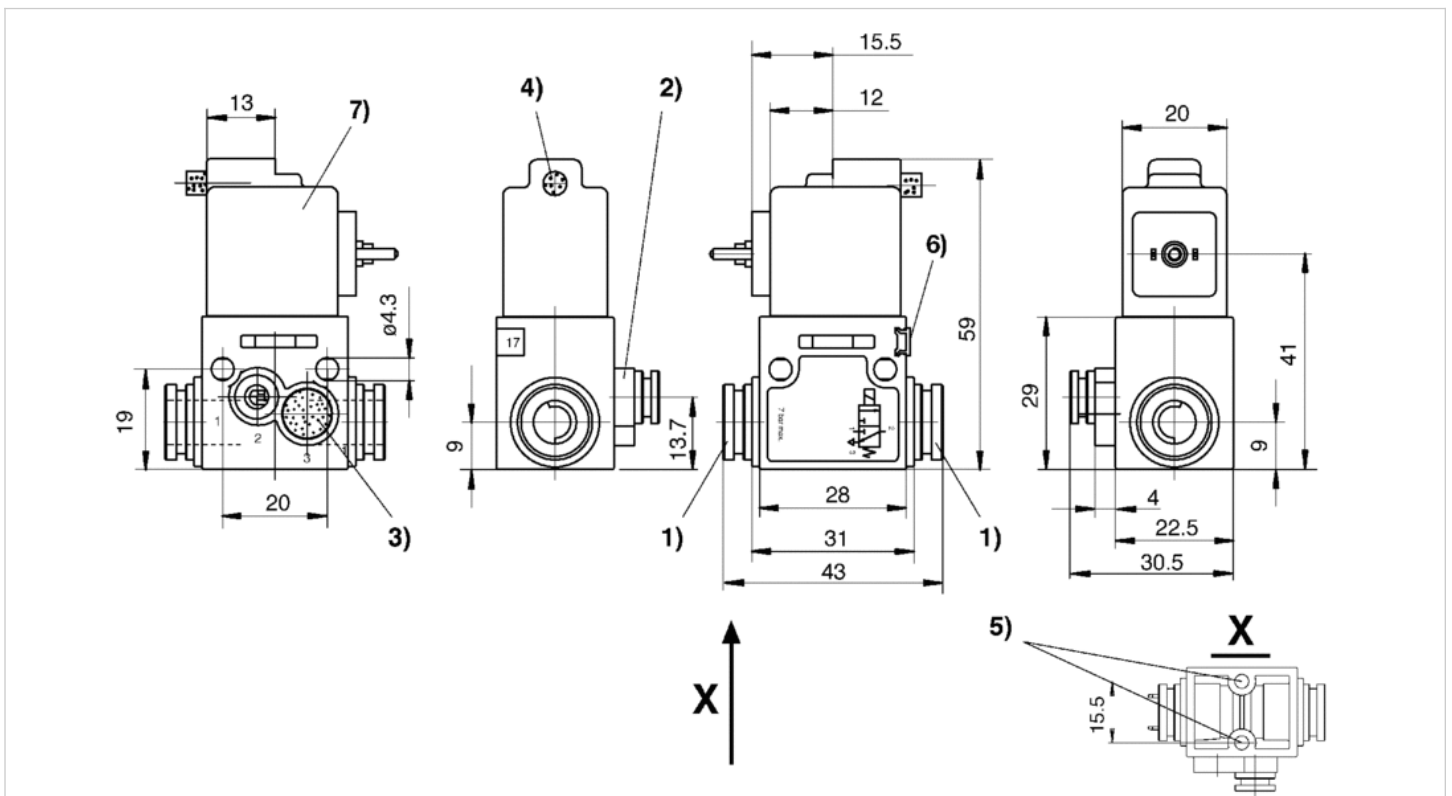
Technical information

Material

Housing	Polyoxymethylene
Seals	Acrylonitrile butadiene rubber

Dimensions

Dimensions



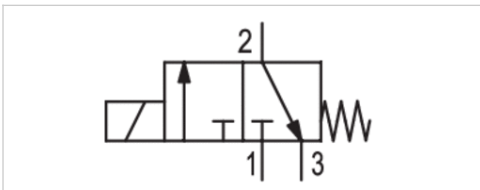
- 1) Port 1
- 2) Port 2
- 3) Exhaust
- 4) Exhaust
- 5) Pocket hole 6 mm deep for 3.5 self-tapping screw
- 6) Mounting space for name plate
- 7) Coil can be rotated at 180° intervals

3/2-directional valve, Series 490

- 3/2
- $Q_n = 50 \text{ l/min}$
- NC
- Pipe connection
- Compressed air connection output : $\varnothing 4$
- Electrical connection : Plug, ISO 15217, form C
- single solenoid
- With spring return
- Pilot : Internal



Version	Poppet valve
Activation	Electrically
Pilot	Internal
Sealing principle	Soft sealing
Working pressure min./max.	0 ... 7 bar
Ambient temperature min./max.	-15 ... 50 °C
Medium temperature min./max.	-15 ... 50 °C
Medium	Compressed air
Max. particle size	5 μm
Oil content of compressed air	0 ... 1 mg/m ³
Nominal flow Q_n	50 l/min
Protection class with connection	IP65
Duty cycle	100 %
Typ. switch-on time	15 ms
Typ. switch-off time	18 ms
Weight	0.073 kg



Technical data

Part No.	NC	Compressed air connection	
		Input	Output
5724990220	NC	$\varnothing 8$	$\varnothing 4$

Part No.	Operational voltage	Voltage tolerance		Power consumption	
		DC	DC	DC	DC
5724990220	24 V	- 5% / +10%		2 W	

Nominal flow Q_n at 6 bar and $\Delta p = 1 \text{ bar}$

Technical information

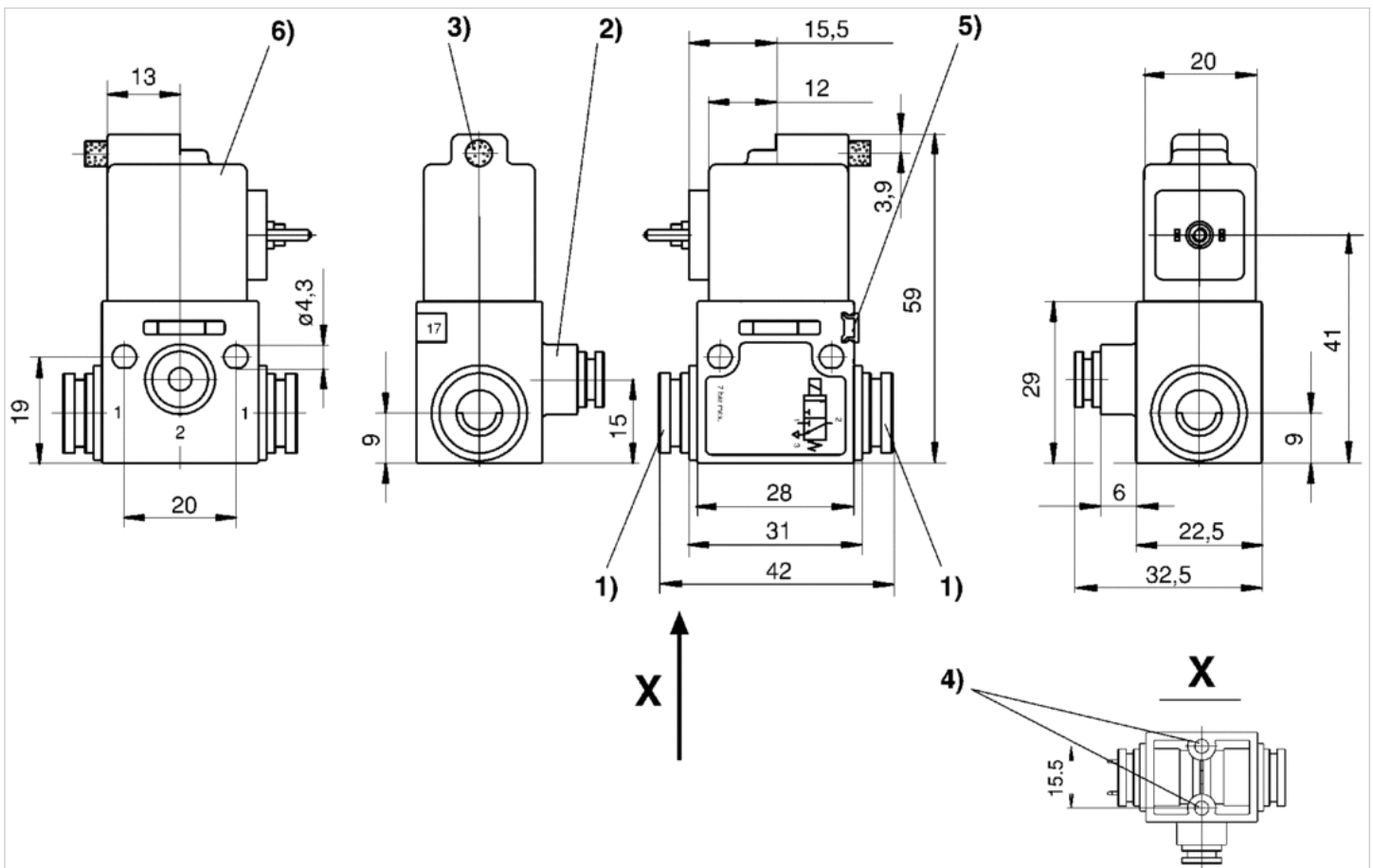
The min. control pressure must be adhered to, since otherwise faulty switching and valve failure may result!
 The pressure dew point must be at least 15 °C under ambient and medium temperature and may not exceed 3 °C .
 The oil content of compressed air must remain constant during the life cycle.
 Use only the approved oils from AVENTICS. Further information can be found in the "Technical information" document (available in the MediaCentre).

Technical information

Material	
Housing	Polyoxymethylene
Seals	Acrylonitrile butadiene rubber

Dimensions

Dimensions



- 1) port 1
- 2) port 2
- 3) exhaust
- 4) pocket hole 6 mm deep for 3.5 self-tapping screw
- 5) mounting space for name plate
- 6) coil can be rotated at 180° intervals

Valve plug connector, series CON-VP

- Socket, form C, 2+E, angled, 90°
- ISO 15217
- unshielded
- with LED Green



Connection type	Screws
Ambient temperature min./max.	-40 ... 90 °C
Operational voltage	See table below
Protection class	IP65
Mounting screw tightening torque	0.4 Nm
Weight	See table below

Technical data

Part No.		Operational voltage	Max. current	Protective circuit	Contact assignment
1834484187		250 / 300 V AC/DC	6 A	-	2+E
4402050330		24 V AC/DC	-	Z-diode	2+E

Part No.	LED status display	suitable cable-Ø min./max	Seal	Weight
1834484187	-	4 / 8 mm	caoutchouc/butadiene caoutchouc	0.012 kg
4402050330	Green	-	-	0.014 kg

Part No.	Fig.	
1834484187	Fig. 1	-
4402050330	Fig. 3	1)

1)

Technical information

The specified protection class is only valid in assembled and tested state.

Technical information

Material	
Seals	caoutchouc/butadiene caoutchouc

Dimensions

Fig. 1

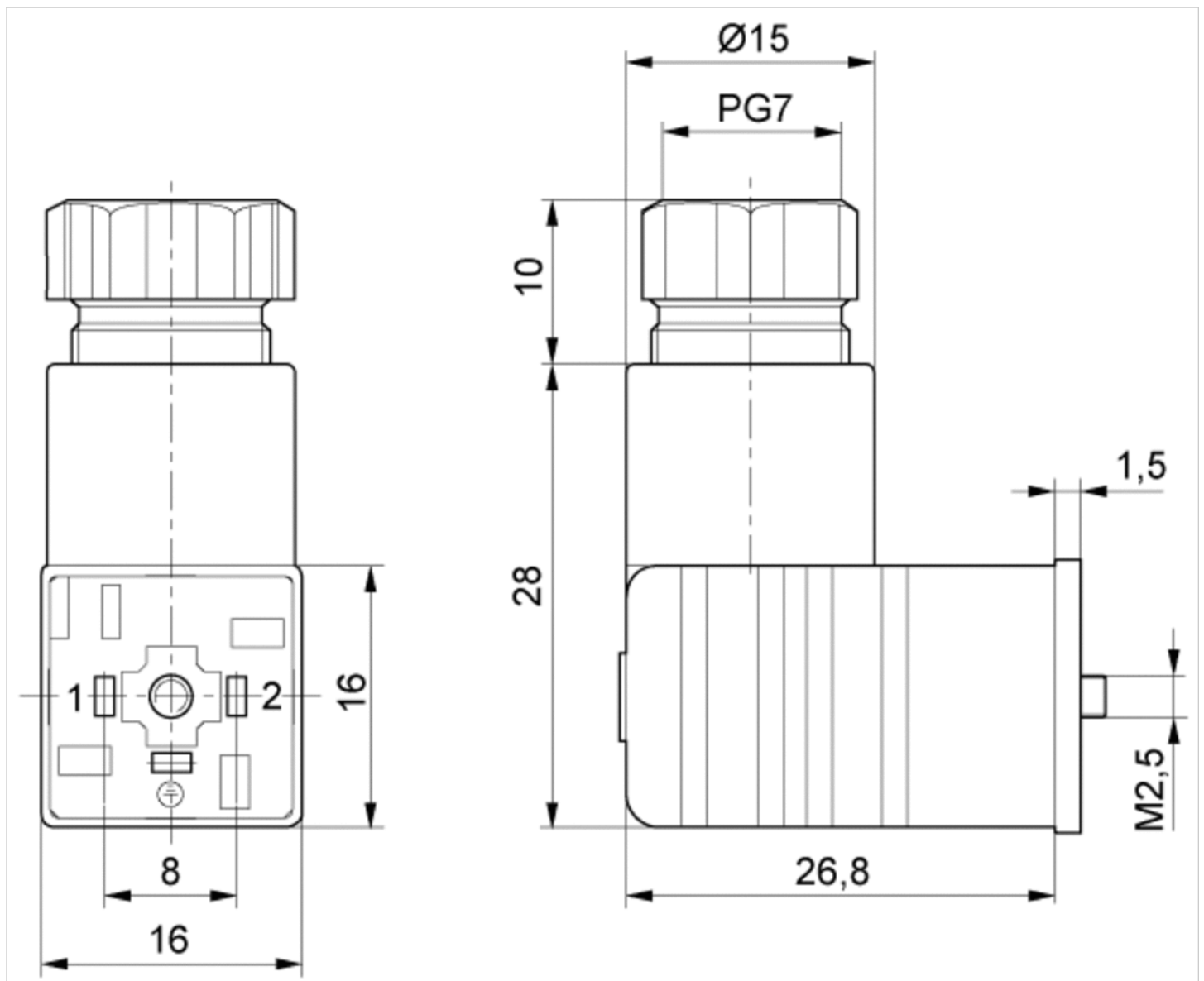


Fig. 2

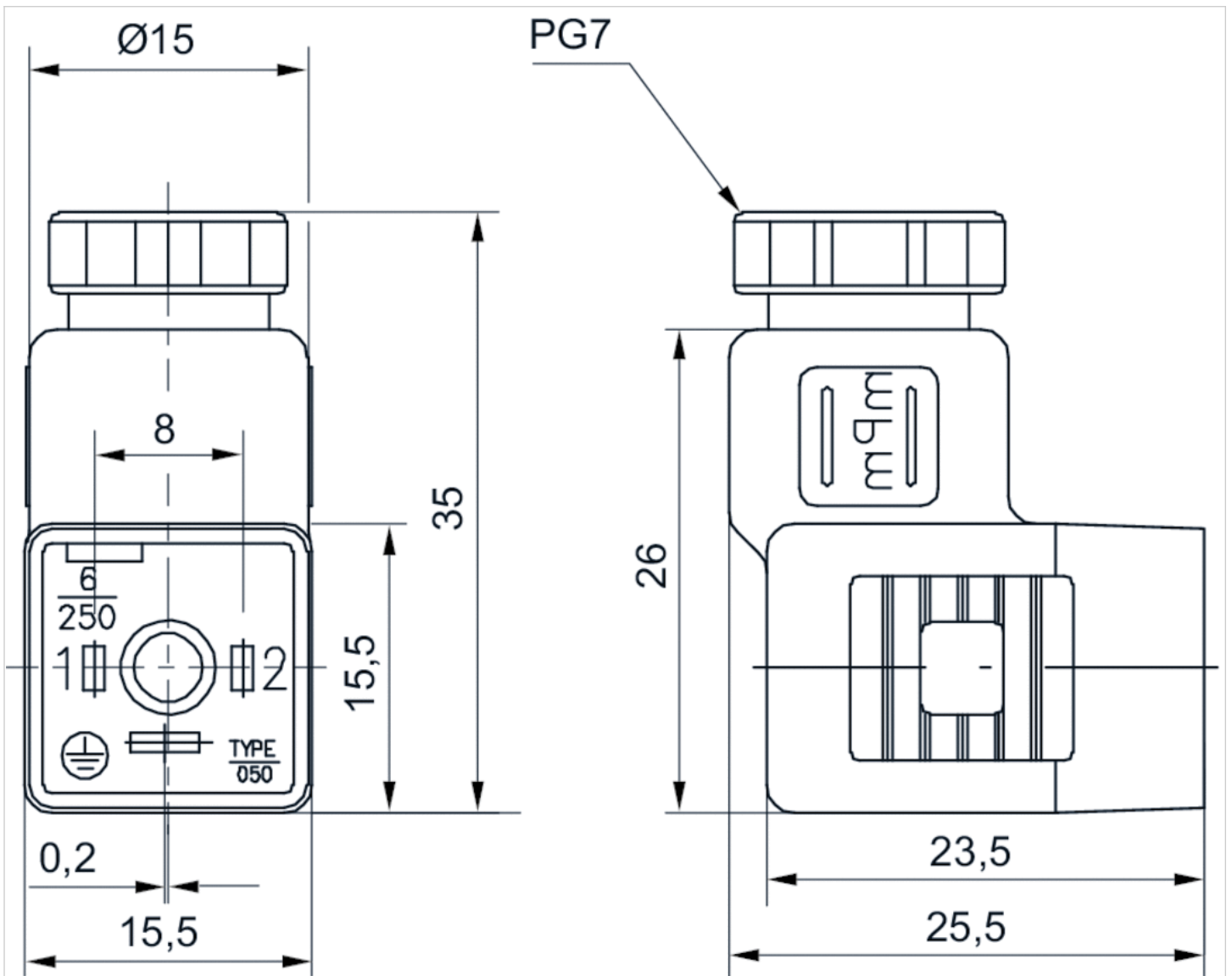
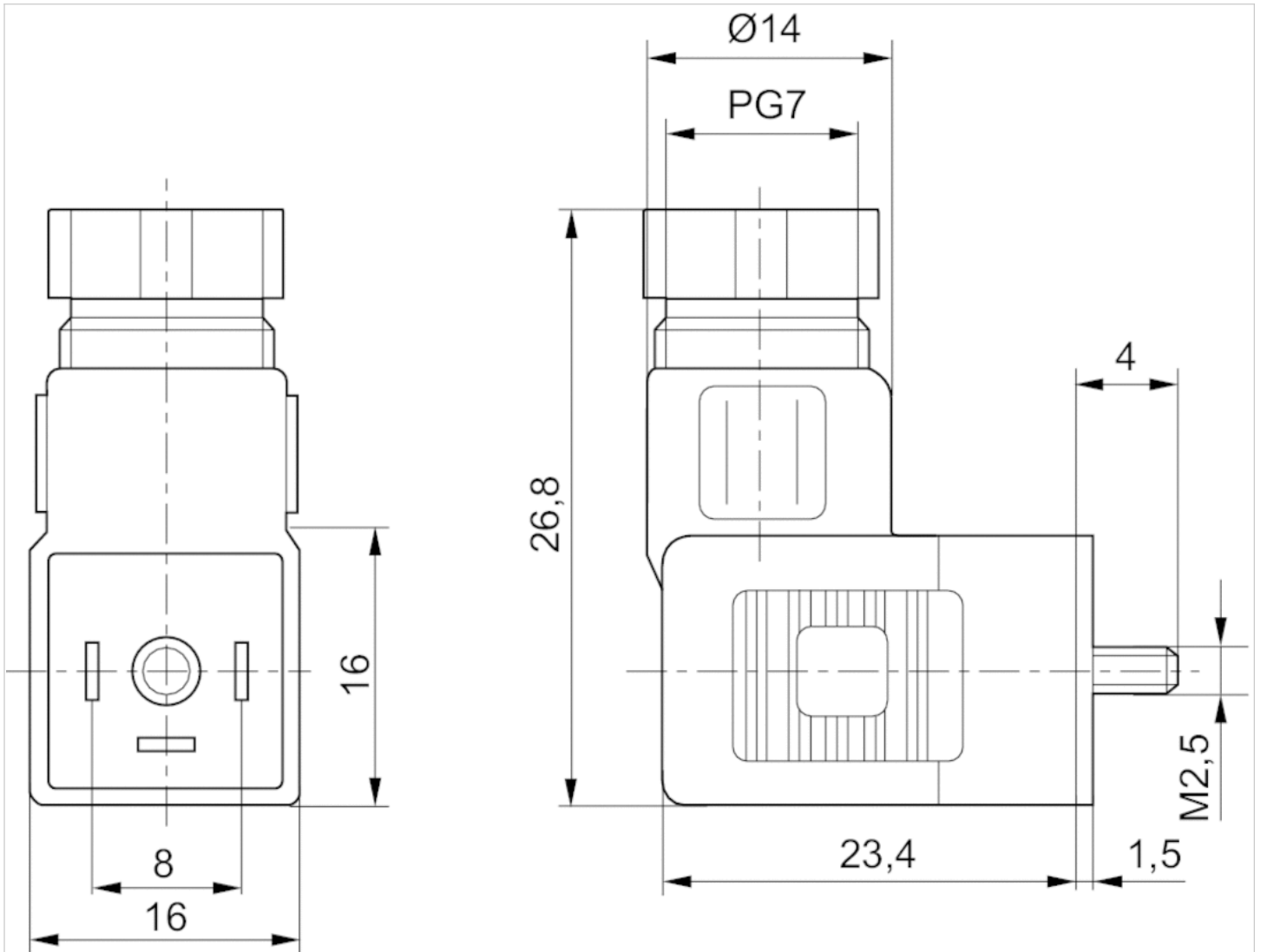
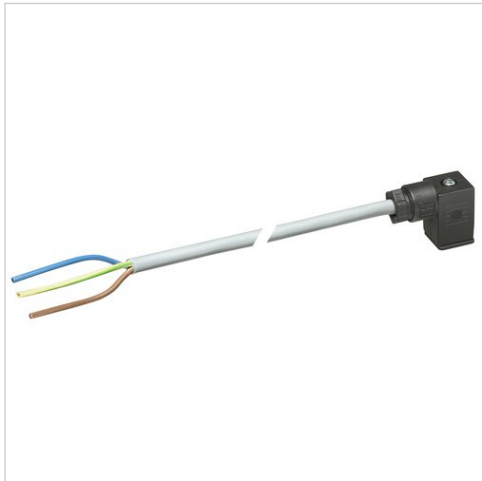


Fig. 3



Valve plug connector, series CON-VP

- Socket form C 2+E angled 90°
- open cable ends 3-pin
- with cable
- unshielded



Ambient temperature min./max.	-20 ... 80 °C
Operational voltage	See table below
Protection class	IP67
Wire cross-section	0.75 mm ²
Mounting screw tightening torque	0.4 Nm
Weight	See table below

Technical data

Part No.		Operational voltage	Max. current	Protective circuit	Contact assignment
1834484212		230 V AC/DC	6 A	-	2+E
1834484213		230 V AC/DC	6 A	-	2+E
1834484214		230 V AC/DC	6 A	-	2+E
1834484215		230 V AC/DC	6 A	-	2+E
1834484204		24 V AC/DC	6 A	Z-diode	2+E
1834484205		24 V AC/DC	6 A	Z-diode	2+E
1834484206		24 V AC/DC	6 A	Z-diode	2+E
1834484207		24 V AC/DC	6 A	Z-diode	2+E
1834484208		230 V AC/DC	6 A	Varistor	2+E
1834484209		230 V AC/DC	6 A	Varistor	2+E
1834484210		230 V AC/DC	6 A	Varistor	2+E
1834484211		230 V AC/DC	6 A	Varistor	2+E

Part No.	LED status display	Number of wires	Cable-Ø	Cable length	Weight	Fig.	
1834484212	-	3	5.9 mm	3 m	0.183 kg	Fig. 1	-
1834484213	-	3	5.9 mm	3 m	0.183 kg	Fig. 2	-
1834484214	-	3	5.9 mm	5 m	0.308 kg	Fig. 1	-
1834484215	-	3	5.9 mm	5 m	0.308 kg	Fig. 2	-
1834484204	Yellow	3	5.9 mm	3 m	0.185 kg	Fig. 1	1)
1834484205	Yellow	3	5.9 mm	3 m	0.185 kg	Fig. 2	1)
1834484206	Yellow	3	5.9 mm	5 m	0.292 kg	Fig. 1	1)
1834484207	Yellow	3	5.9 mm	5 m	0.298 kg	Fig. 2	1)
1834484208	Yellow	3	5.9 mm	3 m	0.171 kg	Fig. 1	1)
1834484209	Yellow	3	5.9 mm	3 m	0.194 kg	Fig. 2	1)
1834484210	Yellow	3	5.9 mm	5 m	0.297 kg	Fig. 1	1)
1834484211	Yellow	3	5.9 mm	5 m	0.285 kg	Fig. 2	1)

1) Scope of delivery incl. flat gasket

Technical information

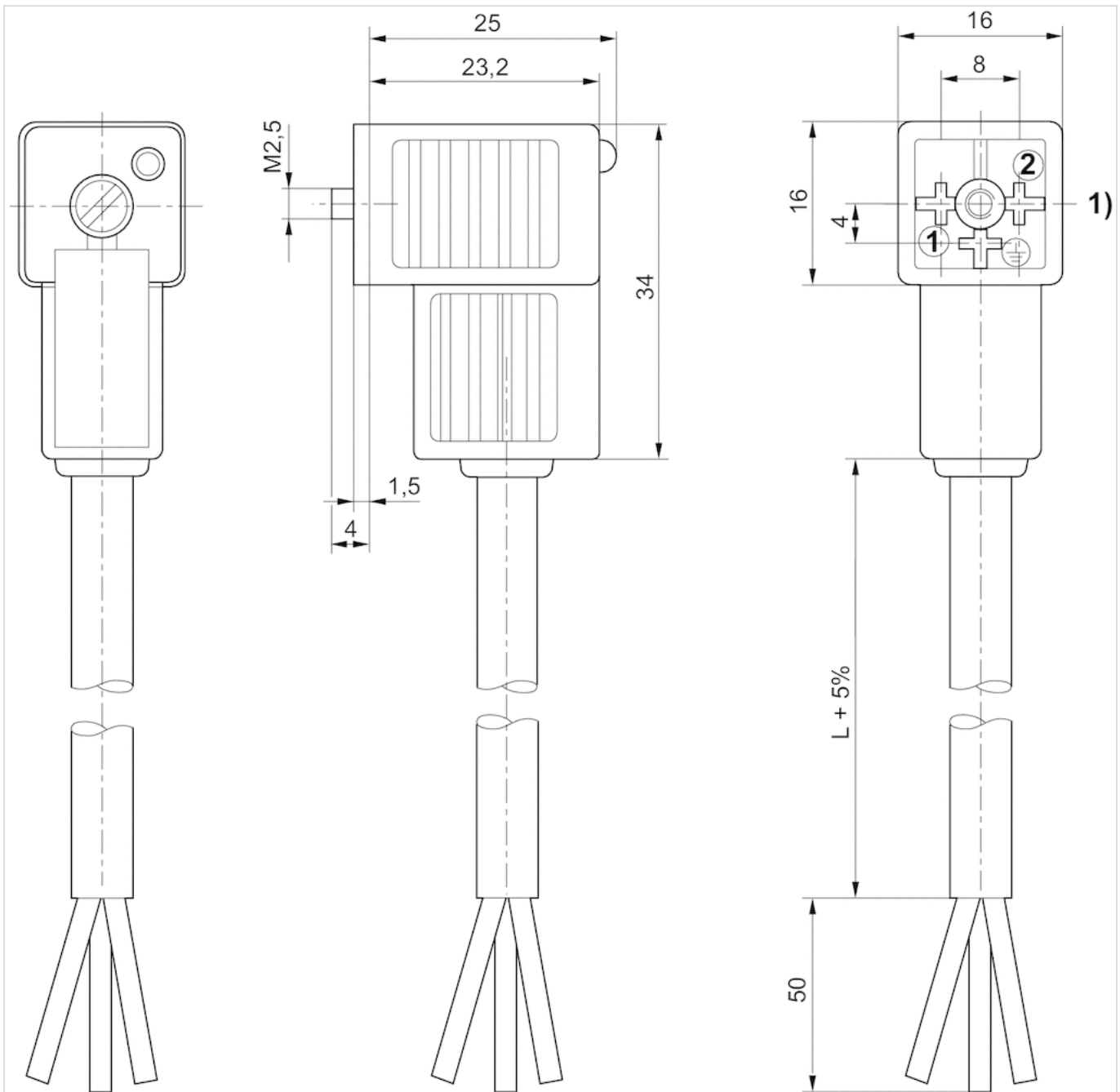
The specified protection class is only valid in assembled and tested state.

Technical information

Material	
Seals	caoutchouc/butadiene caoutchouc
Cable sheath	Polyvinyl chloride

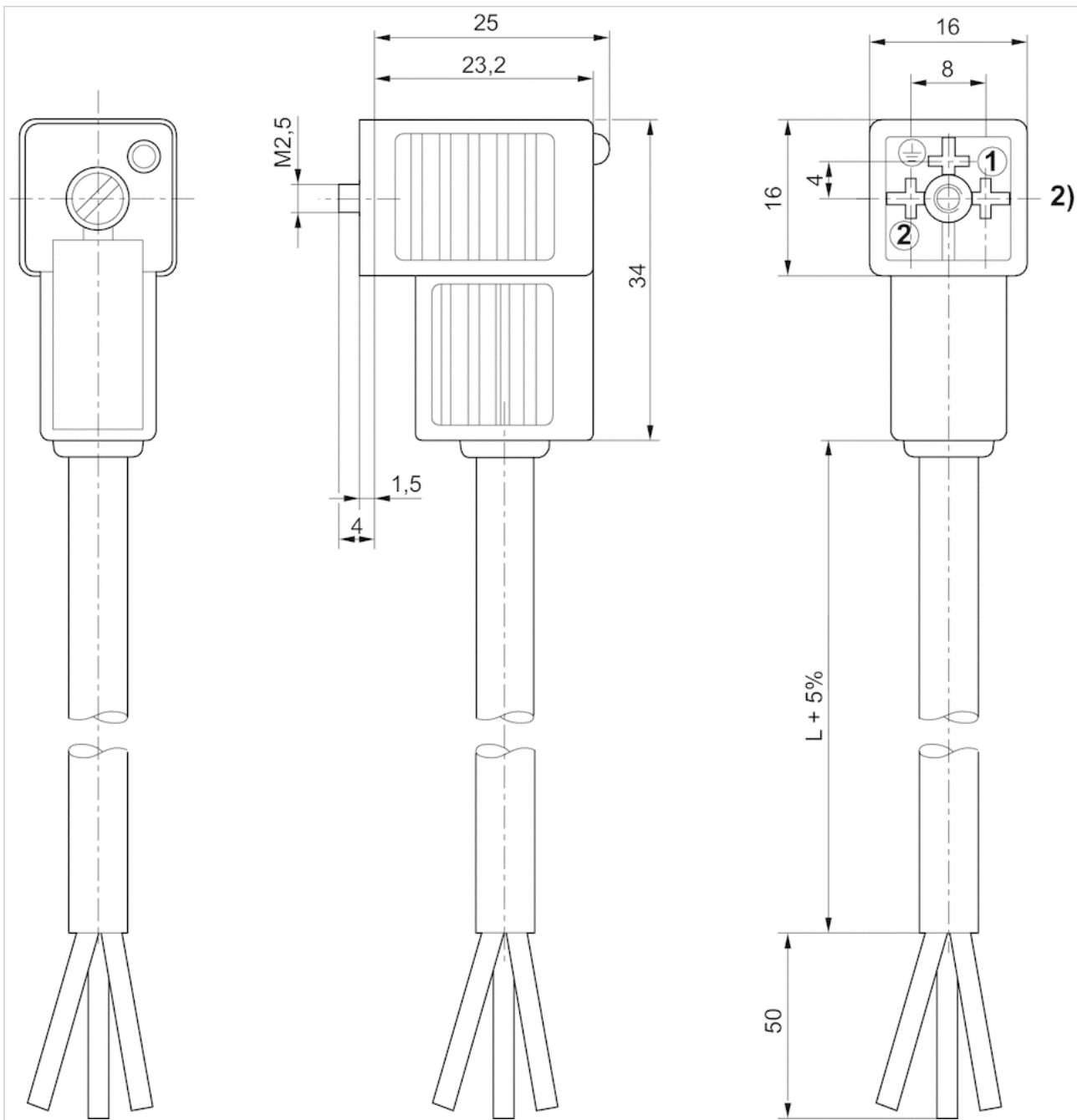
Dimensions

Fig. 1



1) 0° female insert

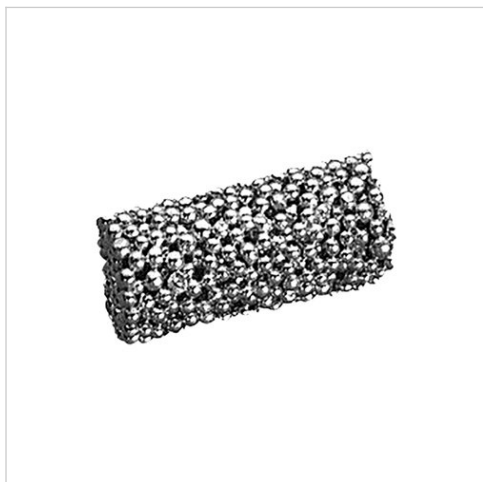
Fig. 2



2) 180° female insert

Silencers, series SI1

- Sintered bronze



Working pressure min./max.

0 ... 10 bar

Ambient temperature min./max.

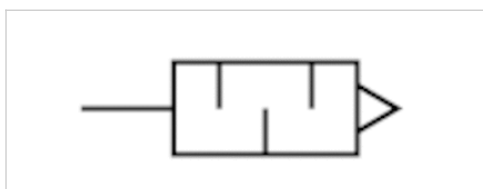
-25 ... 80 °C

Medium

Compressed air

Weight

0.008 kg



Technical data

Part No.

8993800114

Technical information

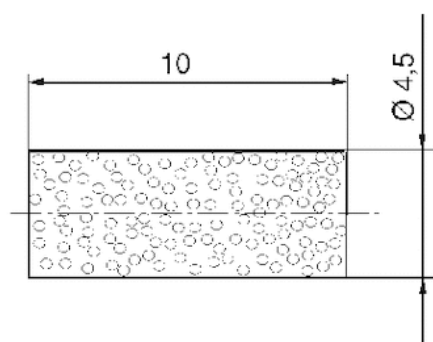
Material

Silencer

Sintered bronze

Dimensions

Dimensions



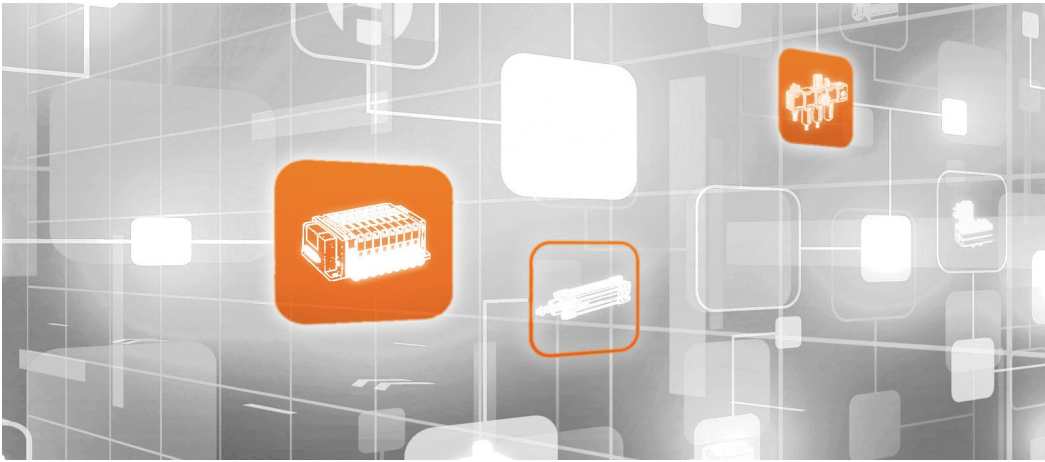
Name plates



Technical data

Part No.	Type	Delivery unit
8943056312	1-10	5 piece
8943056322	11-20	5 piece

Efficient pneumatic solutions, our program: cylinders and drives, valves and valve systems, air supply management



Visit us: [Emerson.com/Aventics](https://www.emerson.com/Aventics)

Your local contact: [Emerson.com/contactus](https://www.emerson.com/contactus)



Emerson.com



[Facebook.com/EmersonAutomationSolutions](https://www.facebook.com/EmersonAutomationSolutions)



[LinkedIn.com/company/Emerson-Automation-Solutions](https://www.linkedin.com/company/Emerson-Automation-Solutions)



[Twitter.com/EMR_Automation](https://twitter.com/EMR_Automation)

An example configuration is depicted on the title page. The delivered product may thus vary from that in the illustration. Subject to change. This Document, as well as the data, specifications and other information set forth in it, are the exclusive property of AVENTICS GmbH. It may not be reproduced or given to third parties without its consent. Only use the AVENTICS products shown in industrial applications. Read the product documentation completely and carefully before using the product. Observe the applicable regulations and laws of the respective country. When integrating the product into applications, note the system manufacturer's specifications for safe use of the product. The data specified only serve to describe the product. No statements concerning a certain condition or suitability for a certain application can be derived from our information. The information given does not release the user from the obligation of own judgment and verification. It must be remembered that the products are subject to a natural process of wear and aging.

The Emerson logo is a trademark and service mark of Emerson Electric Co. Brand logotype are registered trademarks of one of the Emerson family of companies. All other marks are the property of their respective owners. © 2017 Emerson Electric Co. All rights reserved.
2019-03



CONSIDER IT SOLVED™