



Description & Features:

- Excellent flow regulation and leak tight
- The one-piece body construction (no welding) provides strength, safety and corrosion resistance
- “Slow opening” prevents sudden pressure surge and instrument damage
- Materials include carbon steel, carbon steel NACE, stainless steel, stainless steel NACE
- Available in Hard Seat (6,000 and 10,000 psi)
- ASME B1.20.1 compliant
- CRN registered
- 5 year warranty

Applications:

- Highly reliable throttle and block valve for gas or liquid service in severe duty oil and gas installations including refineries and processing plants as well as water treatment plants, power plants and hydraulic applications

Order Codes (products in bold are normally stock in North America)

NPT Connection	Material	Max. Pressure	Code	NPT Connection	Material	Max. Pressure	Code
1/4" Female x 1/4" Female	Carbon Steel	6,000 psi	NVA5020	1/4" Female x 1/4" Female	Carbon Steel (NACE Tip)	6,000 psi	NVA5020N
1/4" Male x 1/4" Female		10,000 psi	NVA6020	1/4" Male x 1/4" Female		10,000 psi	NVA6020N
1/4" Male x 1/4" Female		6,000 psi	NVA5000	1/4" Male x 1/4" Female		6,000 psi	NVA5000N
1/4" Male x 1/4" Female		10,000 psi	NVA6000	1/4" Male x 1/4" Female		10,000 psi	NVA6000N
3/8" Female x 3/8" Female		6,000 psi	NVA5024	3/8" Female x 3/8" Female		6,000 psi	NVA5024N
3/8" Female x 3/8" Female		10,000 psi	NVA6024	3/8" Female x 3/8" Female		10,000 psi	NVA6024N
3/8" Male x 3/8" Female		6,000 psi	NVA5004	3/8" Male x 3/8" Female		6,000 psi	NVA5004N
3/8" Male x 3/8" Female		10,000 psi	NVA6004	3/8" Male x 3/8" Female		10,000 psi	NVA6004N
1/2" Female x 1/2" Female		6,000 psi	NVA5021	1/2" Female x 1/2" Female		6,000 psi	NVA5021N
1/2" Female x 1/2" Female		10,000 psi	NVA6021	1/2" Female x 1/2" Female		10,000 psi	NVA6021N
1/2" Male x 1/2" Female		6,000 psi	NVA5001	1/2" Male x 1/2" Female		6,000 psi	NVA5001N
1/2" Male x 1/2" Female		10,000 psi	NVA6001	1/2" Male x 1/2" Female		10,000 psi	NVA6001N
3/4" Female x 1/2" Female		6,000 psi	NVA5022	3/4" Female x 1/2" Female		6,000 psi	NVA5022N
3/4" Female x 1/2" Female		10,000 psi	NVA6022	3/4" Female x 1/2" Female		10,000 psi	NVA6022N
3/4" Male x 1/2" Female		6,000 psi	NVA5002	3/4" Male x 1/2" Female		6,000 psi	NVA5002N
3/4" Male x 1/2" Female		10,000 psi	NVA6002	3/4" Male x 1/2" Female		10,000 psi	NVA6002N
3/4" Female x 3/4" Female		6,000 psi	NVA5025	3/4" Female x 3/4" Female		6,000 psi	NVA5025N
3/4" Female x 3/4" Female		10,000 psi	NVA6025	3/4" Female x 3/4" Female		10,000 psi	NVA6025N
3/4" Male x 3/4" Female		6,000 psi	NVA5005	3/4" Male x 3/4" Female		6,000 psi	NVA5005N
3/4" Male x 3/4" Female		10,000 psi	NVA6005	3/4" Male x 3/4" Female		10,000 psi	NVA6005N
1" Female x 1" Female	6,000 psi	NVA5023	1" Female x 1" Female	6,000 psi	NVA5023N		
1" Female x 1" Female	10,000 psi	NVA6023	1" Female x 1" Female	10,000 psi	NVA6023N		
1" Male x 1" Female	6,000 psi	NVA5003	1" Male x 1" Female	6,000 psi	NVA5003N		
1" Male x 1" Female	10,000 psi	NVA6003	1" Male x 1" Female	10,000 psi	NVA6003N		
1/4" Female x 1/4" Female	Stainless Steel	6,000 psi	NVA2020	1/4" Female x 1/4" Female	Stainless Steel NACE	6,000 psi	NVA2020N
1/4" Female x 1/4" Female		10,000 psi	NVA3020	1/4" Female x 1/4" Female		10,000 psi	NVA3020N
1/4" Male x 1/4" Female		6,000 psi	NVA2000	1/4" Male x 1/4" Female		6,000 psi	NVA2000N
1/4" Male x 1/4" Female		10,000 psi	NVA3000	1/4" Male x 1/4" Female		10,000 psi	NVA3000N
3/8" Female x 3/8" Female		6,000 psi	NVA2024	3/8" Female x 3/8" Female		6,000 psi	NVA2024N
3/8" Female x 3/8" Female		10,000 psi	NVA3024	3/8" Female x 3/8" Female		10,000 psi	NVA3024N
3/8" Male x 3/8" Female		6,000 psi	NVA2004	3/8" Male x 3/8" Female		6,000 psi	NVA2004N
3/8" Male x 3/8" Female		10,000 psi	NVA3004	3/8" Male x 3/8" Female		10,000 psi	NVA3004N
1/2" Female x 1/2" Female		6,000 psi	NVA2021	1/2" Female x 1/2" Female		6,000 psi	NVA2021N
1/2" Female x 1/2" Female		10,000 psi	NVA3021	1/2" Female x 1/2" Female		10,000 psi	NVA3021N
1/2" Male x 1/2" Female		6,000 psi	NVA2001	1/2" Male x 1/2" Female		6,000 psi	NVA2001N
1/2" Male x 1/2" Female		10,000 psi	NVA3001	1/2" Male x 1/2" Female		10,000 psi	NVA3001N
3/4" Female x 1/2" Female		6,000 psi	NVA2022	3/4" Female x 1/2" Female		6,000 psi	NVA2022N
3/4" Female x 1/2" Female		10,000 psi	NVA3022	3/4" Female x 1/2" Female		10,000 psi	NVA3022N
3/4" Male x 1/2" Female		6,000 psi	NVA2002	3/4" Male x 1/2" Female		6,000 psi	NVA2002N
3/4" Male x 1/2" Female		10,000 psi	NVA3002	3/4" Male x 1/2" Female		10,000 psi	NVA3002N
3/4" Female x 3/4" Female		6,000 psi	NVA2025	3/4" Female x 3/4" Female		6,000 psi	NVA2025N
3/4" Female x 3/4" Female		10,000 psi	NVA3025	3/4" Female x 3/4" Female		10,000 psi	NVA3025N
3/4" Male x 3/4" Female		6,000 psi	NVA2005	3/4" Male x 3/4" Female		6,000 psi	NVA2005N
3/4" Male x 3/4" Female		10,000 psi	NVA3005	3/4" Male x 3/4" Female		10,000 psi	NVA3005N
1" Female x 1" Female	6,000 psi	NVA2023	1" Female x 1" Female	6,000 psi	NVA2023N		
1" Female x 1" Female	10,000 psi	NVA3023	1" Female x 1" Female	10,000 psi	NVA3023N		
1" Male x 1" Female	6,000 psi	NVA2003	1" Male x 1" Female	6,000 psi	NVA2003N		
1" Male x 1" Female	10,000 psi	NVA3003	1" Male x 1" Female	10,000 psi	NVA3003N		

Option suffix:

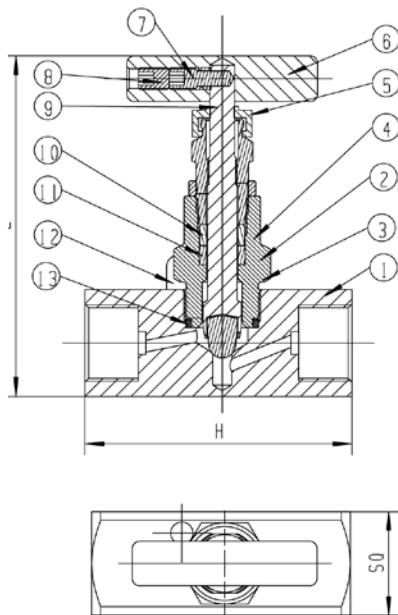
CPM = Carbon steel panel mount kit

SPM = Stainless steel panel mount kit

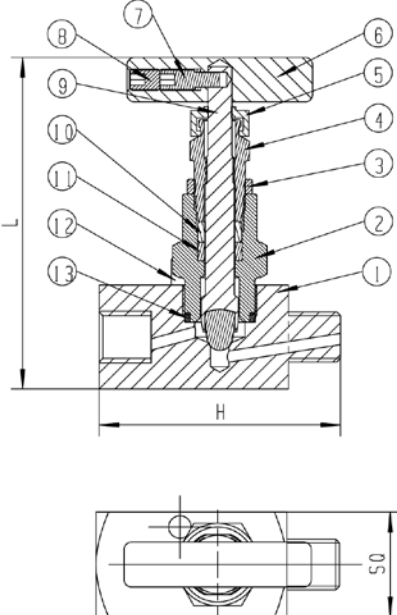
Material

Description	Component Number	Carbon Steel	Carbon Steel NACE	Stainless Steel	Stainless Steel NACE
Body	1	Carbon Steel	Carbon Steel	316 SS	316 SS NACE
Bonnet	2	Carbon Steel	Carbon Steel	316 SS	316 SS NACE
Adapter Locknut	3	Carbon Steel	Carbon Steel	304 SS	304 SS
Adapter	4	316 SS	316 SS NACE	316 SS	316 SS NACE
Dustcap	5	Nylon	Nylon	Nylon	Nylon
Handle	6	Carbon Steel	Carbon Steel	304 SS	304 SS
Screw	7	304 SS	304 SS	304 SS	304 SS
Fastening Screw	8	304 SS	304 SS	304 SS	304 SS
Needle / Needle Tip	9	316 SS	316 SS NACE	316 SS	316 SS NACE
Gland Washer	10	Carbon Steel	Carbon Steel	304 SS	304 SS
Gland Packing	11	PTFE/Graphite	PTFE/Graphite	PTFE/Graphite	PTFE/Graphite
Dwell Pin	12	Carbon Steel	Carbon Steel	304 SS	304 SS
Gland Packing	13	PTFE/Graphite	PTFE/Graphite	PTFE/Graphite	PTFE/Graphite

Female x Female



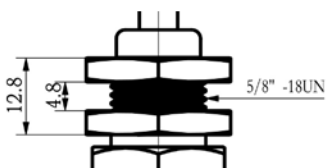
Male x Female



Dimensions

Size	H	L	SQ
1/4" Female x 1/4" Female	2.56" (65mm)	3.50" (89mm)	1.10" (28mm)
1/4" Male x 1/4" Female	2.56" (65mm)	3.50" (89mm)	1.10" (28mm)
3/8" Female x 3/8" Female	2.56" (65mm)	3.50" (89mm)	1.10" (28mm)
3/8" Male x 3/8" Female	2.56" (65mm)	3.50" (89mm)	1.10" (28mm)
1/2" Female x 1/2" Female	2.76" (70mm)	3.50" (89mm)	1.10" (28mm)
1/2" Male x 1/2" Female	2.76" (70mm)	3.50" (89mm)	1.10" (28mm)
3/4" Female x 1/2" Female	2.83" (72mm)	3.66" (93mm)	1.26" (32mm)
3/4" Male x 1/2" Female	2.83" (72mm)	3.50" (89mm)	1.10" (28mm)
3/4" Female x 3/4" Female	2.83" (72mm)	3.66" (93mm)	1.26" (32mm)
3/4" Male x 3/4" Female	2.83" (72mm)	3.66" (93mm)	1.26" (32mm)
1" Female x 1" Female	3.23" (82mm)	3.98" (101mm)	1.58" (40mm)
1" Male x 1" Female	3.23" (82mm)	3.98" (101mm)	1.58" (40mm)

Panel Mont Kit (CPM/SPM)





Description & Features:

- Excellent flow regulation and leak tight
- The one-piece body construction (no welding) provides strength, safety and corrosion resistance
- “Slow opening” prevents sudden pressure surge and instrument damage
- Material includes carbon steel, stainless steel and stainless steel NACE
- Available in Hard Seat (6,000 and 10,000 psi)
- ASME B1.20.1 compliant
- CRN registered
- 5 year warranty

Applications:

- Ideally suited for severe duty oil and gas installations including refineries and processing plants as well as water treatment plants, power plants and hydraulic applications

Angle Body Order Codes (products in bold are normally stock in North America)

NPT Connection	Material	Max. Pressure	Code
1/4" Female x	Carbon Steel	6,000 psi	NVA9030
1/4" Female		10,000 psi	NVA9040
1/4" Male x		6,000 psi	NVA8030
1/4" Female		10,000 psi	NVA8040
3/8" Female x		6,000 psi	NVA9034
3/8" Female		10,000 psi	NVA9044
3/8" Male x		6,000 psi	NVA8034
3/8" Female		10,000 psi	NVA8044
1/2" Female x		6,000 psi	NVA9031
1/2" Female		10,000 psi	NVA9041
1/2" Male x		6,000 psi	NVA8031
1/2" Female		10,000 psi	NVA8041
3/4" Female x		6,000 psi	NVA9032
1/2" Female		10,000 psi	NVA9042
3/4" Male x		6,000 psi	NVA8032
1/2" Female		10,000 psi	NVA8042
3/4" Female x		6,000 psi	NVA9035
3/4" Female		10,000 psi	NVA9045
3/4" Male x		6,000 psi	NVA8035
3/4" Female		10,000 psi	NVA8045
1" Female x		6,000 psi	NVA9033
1" Female		10,000 psi	NVA9043
1" Male x		6,000 psi	NVA8033
1" Female		10,000 psi	NVA8043
1/4" Female x	Stainless Steel	6,000 psi	NVA8020
1/4" Female		10,000 psi	NVA9020
1/4" Male x		6,000 psi	NVA8000
1/4" Female		10,000 psi	NVA9000
3/8" Female x		6,000 psi	NVA8024
3/8" Female		10,000 psi	NVA9024
3/8" Male x		6,000 psi	NVA8004
3/8" Female		10,000 psi	NVA9004
1/2" Female x		6,000 psi	NVA8021
1/2" Female		10,000 psi	NVA9021
1/2" Male x		6,000 psi	NVA8001
1/2" Female		10,000 psi	NVA9001
3/4" Female x		6,000 psi	NVA8022
1/2" Female		10,000 psi	NVA9022
3/4" Male x		6,000 psi	NVA8002
1/2" Female		10,000 psi	NVA9002
3/4" Female x		6,000 psi	NVA8025
3/4" Female		10,000 psi	NVA9025
3/4" Male x		6,000 psi	NVA8005
3/4" Female		10,000 psi	NVA9005
1" Female x		6,000 psi	NVA8023
1" Female		10,000 psi	NVA9023
1" Male x		6,000 psi	NVA8003
1" Female		10,000 psi	NVA9003

Angle Body NACE Order Codes

NPT Connection	Material	Max. Pressure	Code
1/4" Female x	Carbon Steel NACE	6,000 psi	NVA9030N
1/4" Female		10,000 psi	NVA9040N
1/4" Male x		6,000 psi	NVA8030N
1/4" Female		10,000 psi	NVA8040N
3/8" Female x		6,000 psi	NVA9034N
3/8" Female		10,000 psi	NVA9044N
3/8" Male x		6,000 psi	NVA8034N
3/8" Female		10,000 psi	NVA8044N
1/2" Female x		6,000 psi	NVA9031N
1/2" Female		10,000 psi	NVA9041N
1/2" Male x		6,000 psi	NVA8031N
1/2" Female		10,000 psi	NVA8041N
3/4" Female x		6,000 psi	NVA9032N
1/2" Female		10,000 psi	NVA9042N
3/4" Male x		6,000 psi	NVA8032N
1/2" Female		10,000 psi	NVA8042N
3/4" Female x		6,000 psi	NVA9035N
3/4" Female		10,000 psi	NVA9045N
3/4" Male x		6,000 psi	NVA8035N
3/4" Female		10,000 psi	NVA8045N
1" Female x		6,000 psi	NVA9033N
1" Female		10,000 psi	NVA9043N
1" Male x		6,000 psi	NVA8033N
1" Female		10,000 psi	NVA8043N
1/4" Female x	Stainless Steel NACE	6,000 psi	NVA8020N
1/4" Female		10,000 psi	NVA9020N
1/4" Male x		6,000 psi	NVA8000N
1/4" Female		10,000 psi	NVA9000N
3/8" Female x		6,000 psi	NVA8024N
3/8" Female		10,000 psi	NVA9024N
3/8" Male x		6,000 psi	NVA8004N
3/8" Female		10,000 psi	NVA9004N
1/2" Female x		6,000 psi	NVA8021N
1/2" Female		10,000 psi	NVA9021N
1/2" Male x		6,000 psi	NVA8001N
1/2" Female		10,000 psi	NVA9001N
3/4" Female x		6,000 psi	NVA8022N
1/2" Female		10,000 psi	NVA9022N
3/4" Male x		6,000 psi	NVA8002N
1/2" Female		10,000 psi	NVA9002N
3/4" Female x		6,000 psi	NVA8025N
3/4" Female		10,000 psi	NVA9025N
3/4" Male x		6,000 psi	NVA8005N
3/4" Female		10,000 psi	NVA9005N
1" Female x		6,000 psi	NVA8023N
1" Female		10,000 psi	NVA9023N
1" Male x		6,000 psi	NVA8003N
1" Female		10,000 psi	NVA9003N

Option suffix:

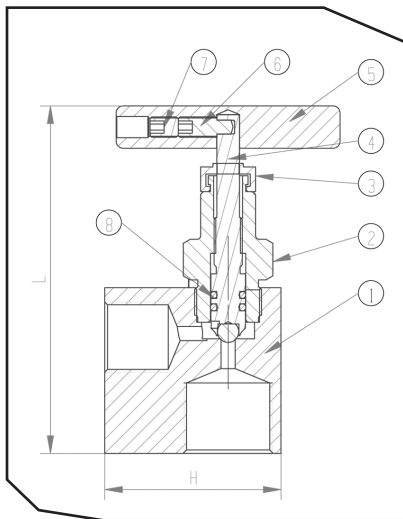
CPM = Carbon steel panel mount kit

SPM = Stainless steel panel mount kit

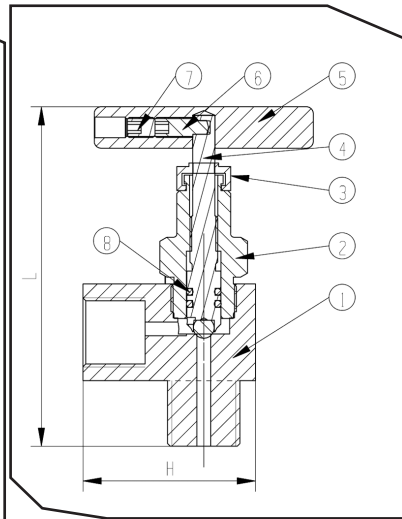
Material

Description	Component Number	Stainless Steel	Stainless Steel NACE
Body	1	316 SS	316 SS NACE
Bonnet	2	316 SS	316 SS NACE
Dustcap	3	Nylon	Nylon
Needle / Needle Tip	4	316 SS	316 SS NACE
Handle	5	304 SS	304 SS
Screw	6	304 SS	304 SS
Fastening Screws	7	304 SS	304 SS
O-ring	8	FKM	FKM
Dwell Pin	9	304 SS	304 SS

Female x Female

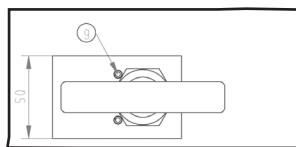


Male x Female

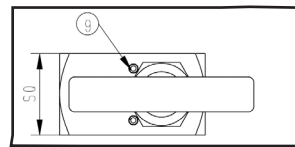


Dimensions

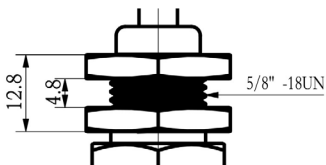
Size	H	L	SQ
1/4" Female x 1/4" Female	1.81" (46mm)	3.66" (93mm)	1.10" (28mm)
1/4" Male x 1/4" Female	1.77" (45mm)	3.58" (91mm)	1.10" (28mm)
3/8" Female x 3/8" Female	1.81" (46mm)	3.66" (93mm)	1.10" (28mm)
3/8" Male x 3/8" Female	1.77" (45mm)	3.82" (97mm)	1.10" (28mm)
1/2" Female x 1/2" Female	1.97" (50mm)	3.82" (97mm)	1.10" (28mm)
1/2" Male x 1/2" Female	1.97" (50mm)	3.82" (97mm)	1.10" (28mm)
3/4" Female x 1/2" Female	1.97" (50mm)	3.82" (97mm)	1.26" (32mm)
3/4" Male x 1/2" Female	1.97" (50mm)	3.86" (98mm)	1.10" (28mm)
3/4" Female x 3/4" Female	1.97" (50mm)	3.82" (97mm)	1.26" (32mm)
3/4" Male x 3/4" Female	1.97" (50mm)	3.86" (98mm)	1.26" (32mm)
1" Female x 1" Female	2.48" (63mm)	4.41" (112mm)	1.58" (40mm)
1" Male x 1" Female	2.48" (63mm)	4.41" (112mm)	1.58" (40mm)



Panel Mont Kit (CPM/SPM)



Panel Mont Kit (CPM/SPM)





Description & Features:

- Excellent flow regulation and leak tight
- The one-piece body construction (no welding) provides strength, safety and corrosion resistance
- “Slow opening” prevents sudden pressure surge and instrument damage
- Materials include carbon steel and stainless steel
- Available in Soft Seat (6,000 psi, Delrin seat)
- ASME B1.20.1 compliant
- CRN registered
- 5 year warranty

Applications:

- Ideally suited for severe duty oil and gas installations including refineries and processing plants, water treatment plants, power plants and hydraulic applications

Order Codes (products in bold are normally stock in North America)

NPT Connection	Material	Code
1/4" Female x 1/4" Female	Carbon Steel	NVA4020
1/4" Male x 1/4" Female		NVA4000
3/8" Female x 3/8" Female		NVA4024
3/8" Male x 3/8" Female		NVA4004
1/2" Female x 1/2" Female		NVA4021
1/2" Male x 1/2" Female		NVA4001
3/4" Female x 1/2" Female		NVA4022
3/4" Male x 1/2" Female		NVA4002
3/4" Female x 3/4" Female		NVA4025
3/4" Male x 3/4" Female		NVA4005
1" Female x 1" Female		NVA4023
1" Male x 1" Female		NVA4003
1/4" Female x 1/4" Female	Stainless Steel	NVA1020
1/4" Male x 1/4" Female		NVA1000
3/8" Female x 3/8" Female		NVA1024
3/8" Male x 3/8" Female		NVA1004
1/2" Female x 1/2" Female		NVA1021
1/2" Male x 1/2" Female		NVA1001
3/4" Female x 1/2" Female		NVA1022
3/4" Male x 1/2" Female		NVA1002
3/4" Female x 3/4" Female		NVA1025
3/4" Male x 3/4" Female		NVA1005
1" Female x 1" Female		NVA1023
1" Male x 1" Female		NVA1003

Dimensions

Size	H	L	SQ
1/4" Female x 1/4" Female	2.56" (65mm)	2.65" (67mm)	1.10" (28mm)
1/4" Male x 1/4" Female	2.56" (65mm)	2.65" (67mm)	1.10" (28mm)
3/8" Female x 3/8" Female	2.56" (65mm)	2.65" (67mm)	1.10" (28mm)
3/8" Male x 3/8" Female	2.56" (65mm)	2.65" (67mm)	1.10" (28mm)
1/2" Female x 1/2" Female	2.76" (70mm)	2.65" (67mm)	1.10" (28mm)
1/2" Male x 1/2" Female	2.76" (70mm)	2.65" (67mm)	1.10" (28mm)
3/4" Female x 1/2" Female	2.84" (72mm)	2.80" (71mm)	1.26" (32mm)
3/4" Male x 1/2" Female	2.84" (72mm)	2.65" (67mm)	1.10" (28mm)
3/4" Female x 3/4" Female	2.84" (72mm)	2.80" (71mm)	1.26" (32mm)
3/4" Male x 3/4" Female	2.84" (72mm)	2.80" (71mm)	1.26" (32mm)
1" Female x 1" Female	3.23" (82mm)	3.12" (79mm)	1.58" (40mm)
1" Male x 1" Female	3.23" (82mm)	3.12" (79mm)	1.58" (40mm)

Option suffix:

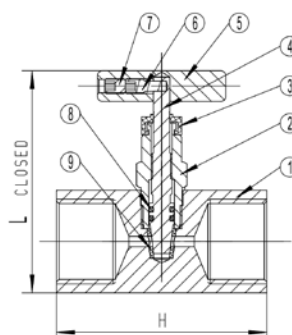
CPM = Carbon steel panel mount kit

SPM = Stainless steel panel mount kit

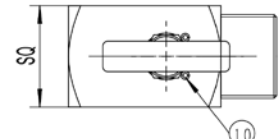
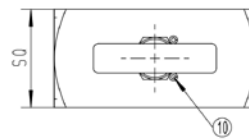
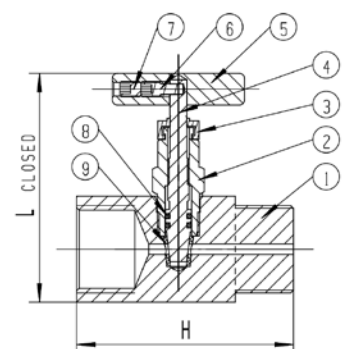
Material

Description	Component Number	Carbon Steel	Stainless Steel
Body	1	Carbon Steel	316 SS
Bonnet	2	Carbon Steel	316 SS
Dustcap	3	Nylon	Nylon
Needle / Needle Tip	4	316 SS	316 SS
Handle	5	Carbon Steel	304 SS
Screw	6	304 SS	304 SS
Fastening Screw	7	304 SS	304 SS
O-ring	8	FKM	FKM
Seat	9	Delrin	Delrin
Slotted Spring Pin	10	304 SS	304 SS

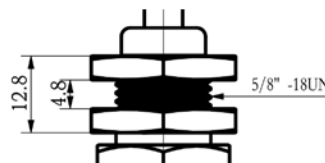
Female x Female

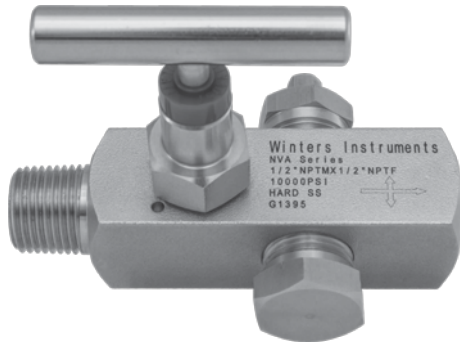


Male x Female



Panel Mount Kit (CPM/SPM)





Description & Features:

- Multiport design reduces the number of gauge and other instrument connections to permanent piping installations, decreasing possible leak paths
- Optional bleed plugs further allow pressure to be bled off without disturbing the permanent piping installation
- 10,000 psi pressure rating @ 200°F
- All stems are 316 stainless steel
- CRN registered
- 5 year warranty

Applications:

- Ideally suited for severe duty oil and gas installations including refineries and processing plants as well as water treatment plants, power plants and hydraulic applications

Multiport Order Codes

NPT Connection	Material	Seat	Max. Pressure	Code
1/2" Male x 1/2" Female	Carbon Steel	Soft Seat	6,000 psi	NVA4201
3/4" Male x 1/2" Female				NVA4202
1/2" Male x 1/2" Female	Stainless Steel			NVA1201
3/4" Male x 1/2" Female				NVA1202
1/2" Male x 1/2" Female	Carbon Steel	Hard Seat	10,000 psi	NVA6201
3/4" Male x 1/2" Female				NVA6202
1/2" Male x 1/2" Female	Stainless Steel			NVA3201
3/4" Male x 1/2" Female				NVA3202

Multiport NACE Order Codes

NPT Connection	Material	Seat	Max. Pressure	Code
1/2" Male x 1/2" Female	Stainless Steel	Hard Seat	10,000 psi	NVA3201N
3/4" Male x 1/2" Female	Steel NACE			NVA3202N

Multiport Optional Bleed Screw and Plug Order Codes

Plug or Screw	Carbon Steel	Stainless Steel	Stainless Steel NACE
M8 Bleed Screw	NVAPLUG02	NVAPLUG01	NVAPLUG01N
1/2" NPT Plug	NVAPLUG06	NVAPLUG05	NVAPLUG05N
1/2" NPT Plug w/Bleed Screw	NVAPLUG08	NVAPLUG07	NVAPLUG07N

Note: Bleed screw and plugs not included

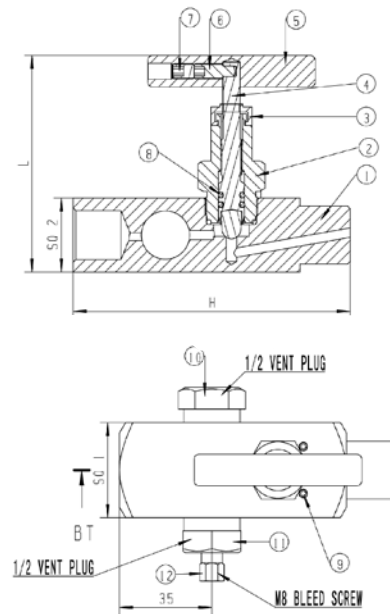
Hard Seat Material

Description	Component Number	Carbon Steel Hard Seat	Stainless Steel Hard Seat	Stainless Steel NACE Hard Seat
Body	1	Carbon Steel	316 SS	316 SS NACE
Bonnet	2	Carbon Steel	316 SS	316 SS NACE
Dustcap	3	Nylon	Nylon	Nylon
Needle / Needle Tip	4	316 SS	316 SS	316 SS NACE
Handle	5	Carbon Steel	304 SS	304 SS
Screw	6	304 SS	304 SS	304 SS
Fastening Screw	7	304 SS	304 SS	304 SS
O-ring	8	FKM	FKM	FKM
Dwell Pin	9	304 SS	304 SS	304 SS
Vent Plug	10	Carbon Steel	316 SS	316 SS NACE
Bleed Screw	11	Carbon Steel	316 SS	316 SS NACE
Vent Plug	12	Carbon Steel	316 SS	316 SS NACE

Hard Seat Dimensions

Size	H	L	SQ1	SQ2
1/2" Male x 1/2" Female	4.13 (105mm)	3.2 (81mm)	1.42 (36mm)	1.10 (28mm)
3/4" Male x 1/2" Female	4.29 (109mm)	3.2 (81mm)	1.42 (36mm)	1.10 (28mm)

Male x Female



Soft Seat Material

Description	Component Number	Carbon Steel Soft Seat	Stainless Steel Soft Seat
Body	1	Carbon Steel	316 SS
Bonnet	2	Carbon Steel	316 SS
Dustcap	3	Nylon	Nylon
Needle / Needle Tip	4	316 SS	316 SS
Handle	5	Carbon Steel	304 SS
Screw	6	304 SS	304 SS
Fastening Screw	7	304 SS	304 SS
O-ring	8	FKM	FKM
Seat	9	Delrin	Delrin
Dwell Pin	10	304 SS	304 SS
Vent Plug	11	Carbon Steel	316 SS
Bleed Screw	12	Carbon Steel	316 SS
Vent Plug	13	Carbon Steel	316 SS

Soft Seat Dimensions

Size	H	L	SQ1	SQ2
1/2" Male x 1/2" Female	4.13 (105mm)	3.20" (81mm)	1.42 (36mm)	1.10 (28mm)
3/4" Male x 1/2" Female	4.29 (109mm)	3.20" (81mm)	1.42 (36mm)	1.10 (28mm)

Male x Female

