

AF2



AVENTICS™

AVENTICS Series AF2 Sensors



Series AF2

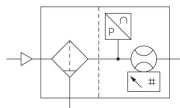
The AVENTICS Series AF2 are flow sensors that monitor air consumption in pneumatic systems, enabling rapid intervention in the event of leakage. The Series AF2 helps to optimize energy consumption, prevent machine downtime and cut costs.

- IIoT-enabled flow sensor
- Suitable for standard applications
- Easy to assemble and operate
- Small size for optimal use of installation space
- Coloured and rotatable OLED display
- Measures flow, pressure and temperature
- Easy integration into maintenance units or as a stand-alone version
- Integrated data logger
- Communication options: I/O-link and Ethernet



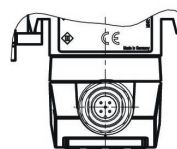
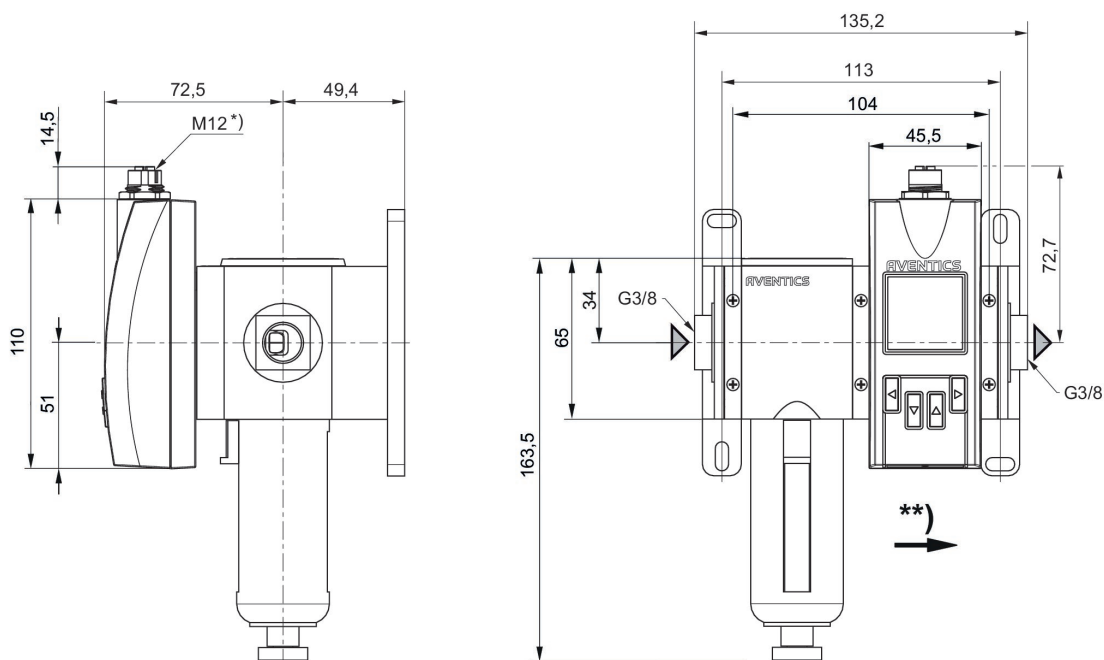
AF2 series flow rate sensor, Ethernet

Plug
M12x1
AS2



Frame size	Protocol	Output signal	Operational voltage	Port	Flow [l/min]	Part No.
AS2	Ethernet, TCP/IP, OPC UA, MQTT	OPC UA, MQTT, Integrated web server	24 V DC	G 3/8	1060	R412026837

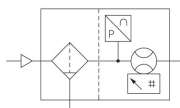
Dimensions in mm



* Internal thread
** Flow direction

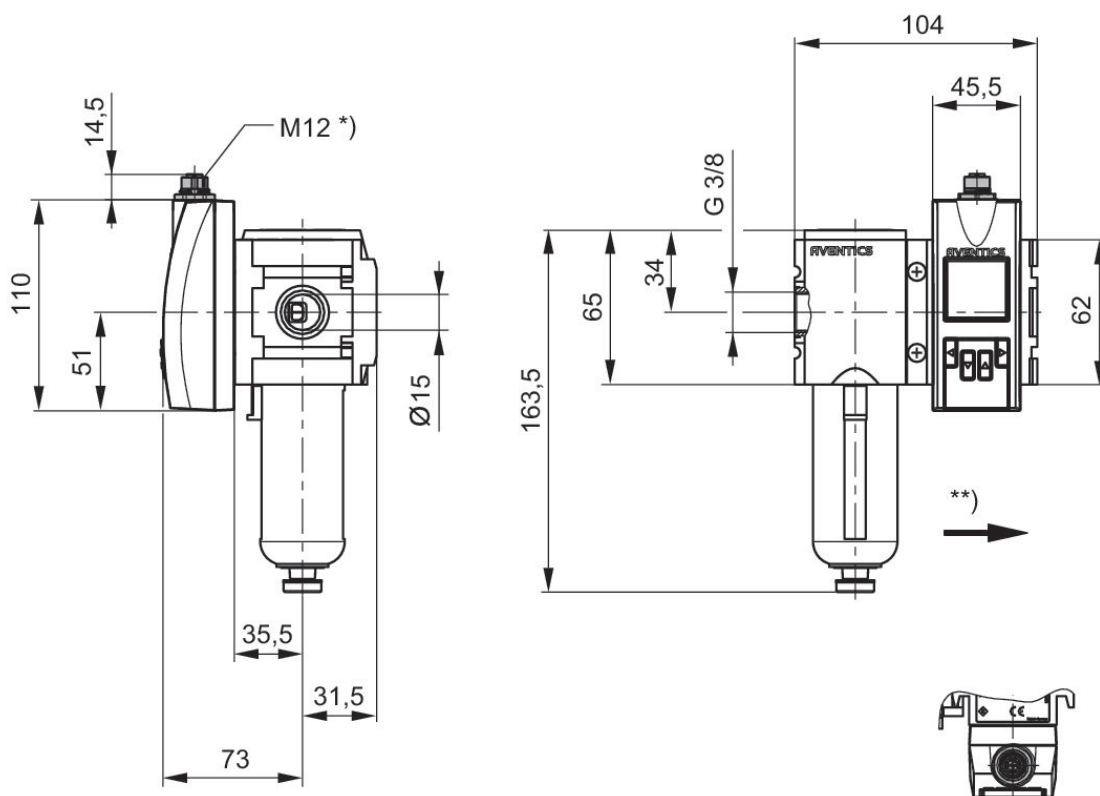
AF2 series flow rate sensor, Ethernet

Plug
M12x1
AS2



Frame size	Protocol	Output signal	Operational voltage	Port	Flow [l/min]	Part No.
AS2	Ethernet, TCP/IP, OPC UA, MQTT	OPC UA, MQTT, Integrated web server	24 V DC	G 3/8	1060	R412027179

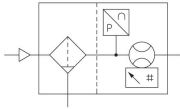
Dimensions in mm



* Internal thread
** Flow direction

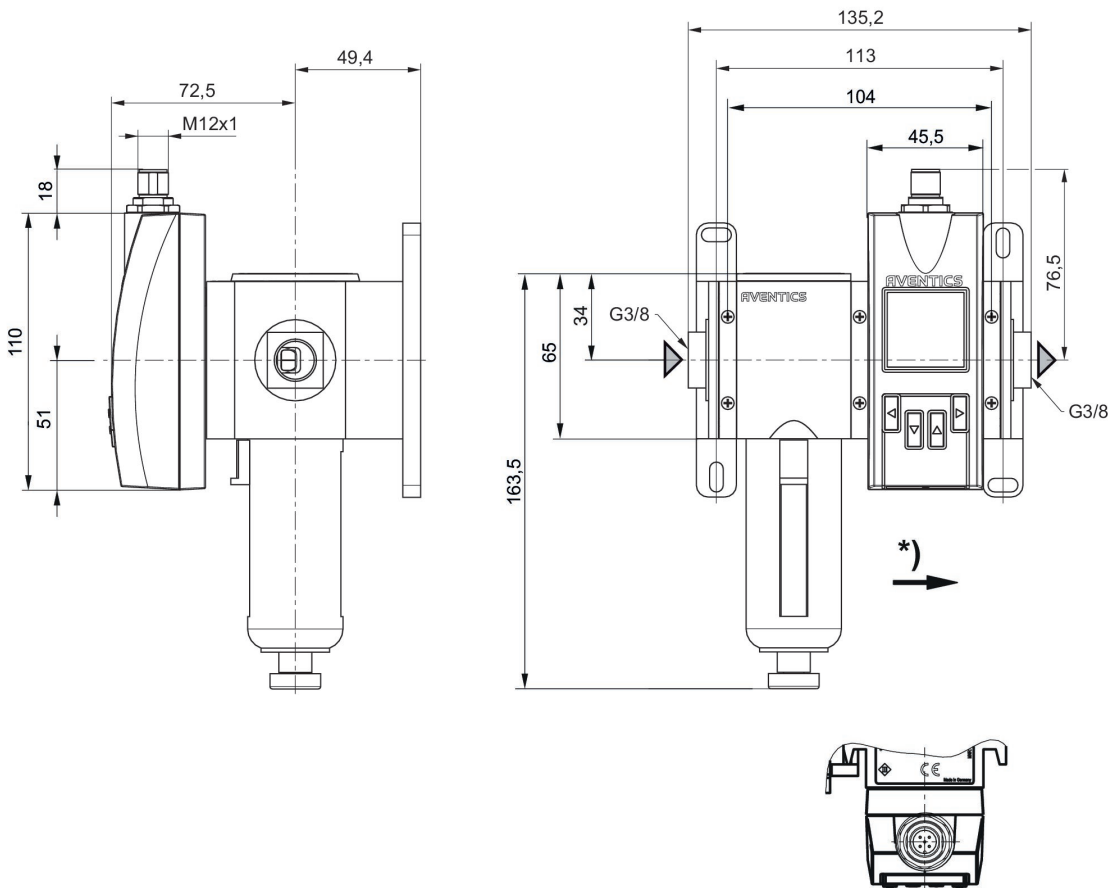
Series AF2 flow rate sensor, IO-Link

Plug
M12x1
AS2



Frame size	Protocol	Output signal	Operational voltage	Port	Flow [l/min]	Part No.
AS2	IO-Link, Analog	PNP, NPN, push-pull, 1x IO-Link	17-30 V DC	G 3/8	1060	R412026834

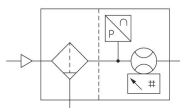
Dimensions in mm



* Flow direction

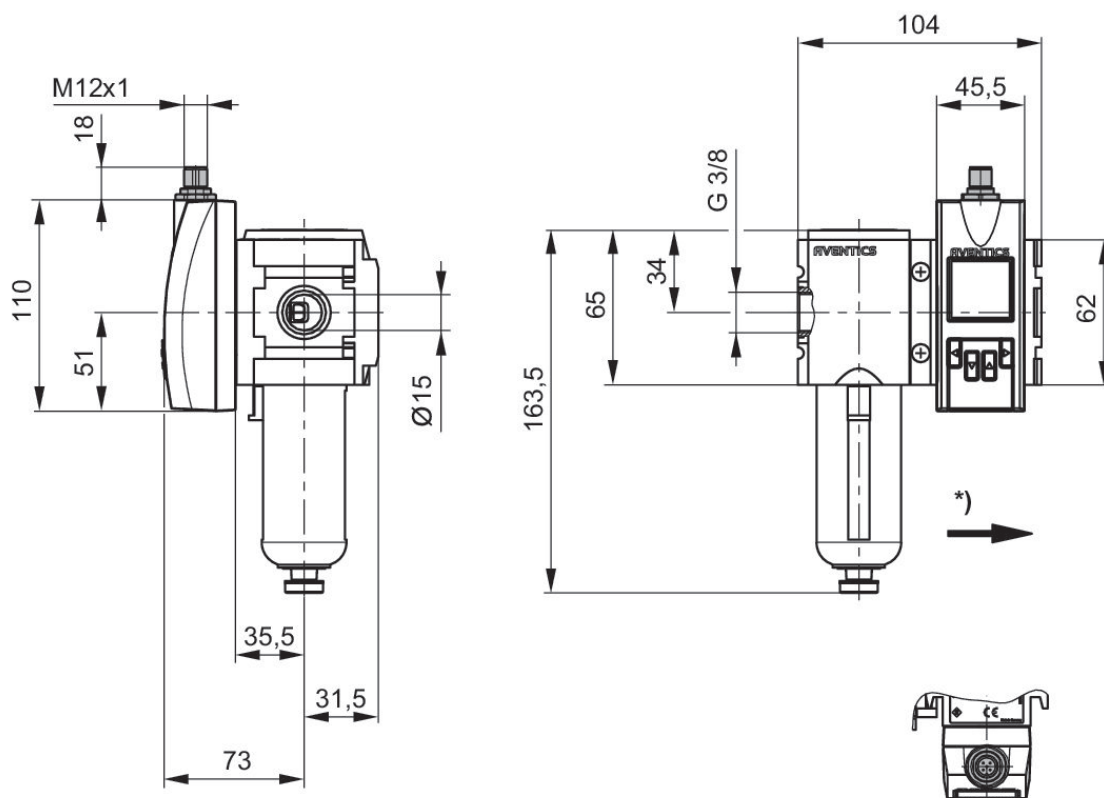
Series AF2 flow rate sensor, IO-Link

Plug
M12x1
AS2



Frame size	Protocol	Output signal	Operational voltage	Port	Flow [l/min]	Part No.
AS2	IO-Link, Analog	PNP, NPN, push-pull, 1x IO-Link	17-30 V DC	G 3/8	1060	R412027176

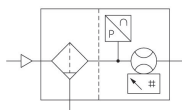
Dimensions in mm



* Flow direction

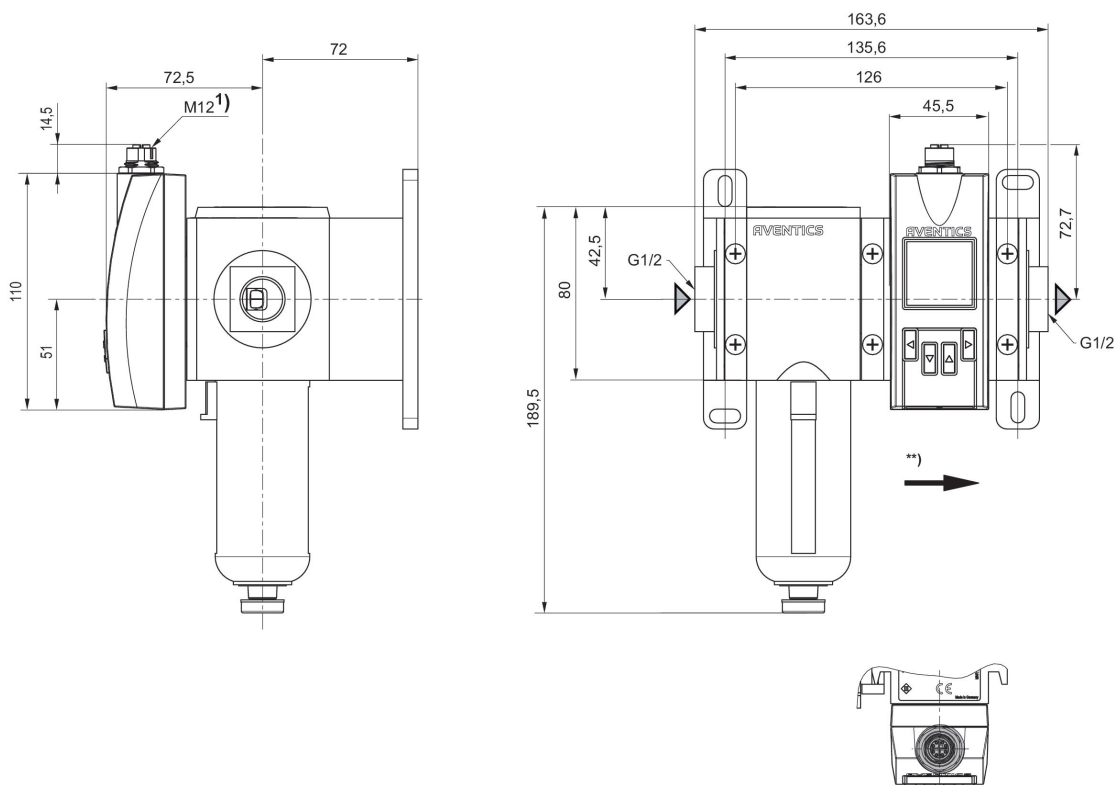
AF2 series flow rate sensor, Ethernet

Plug
M12x1
AS3



Frame size	Protocol	Output signal	Operational voltage	Port	Flow [l/min]	Part No.
AS3	Ethernet, TCP/IP, OPC UA, MQTT	OPC UA, MQTT, Integrated web server	24 V DC	G 1/2	1630	R412026838

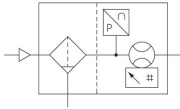
Dimensions in mm



* Internal thread
** Flow direction

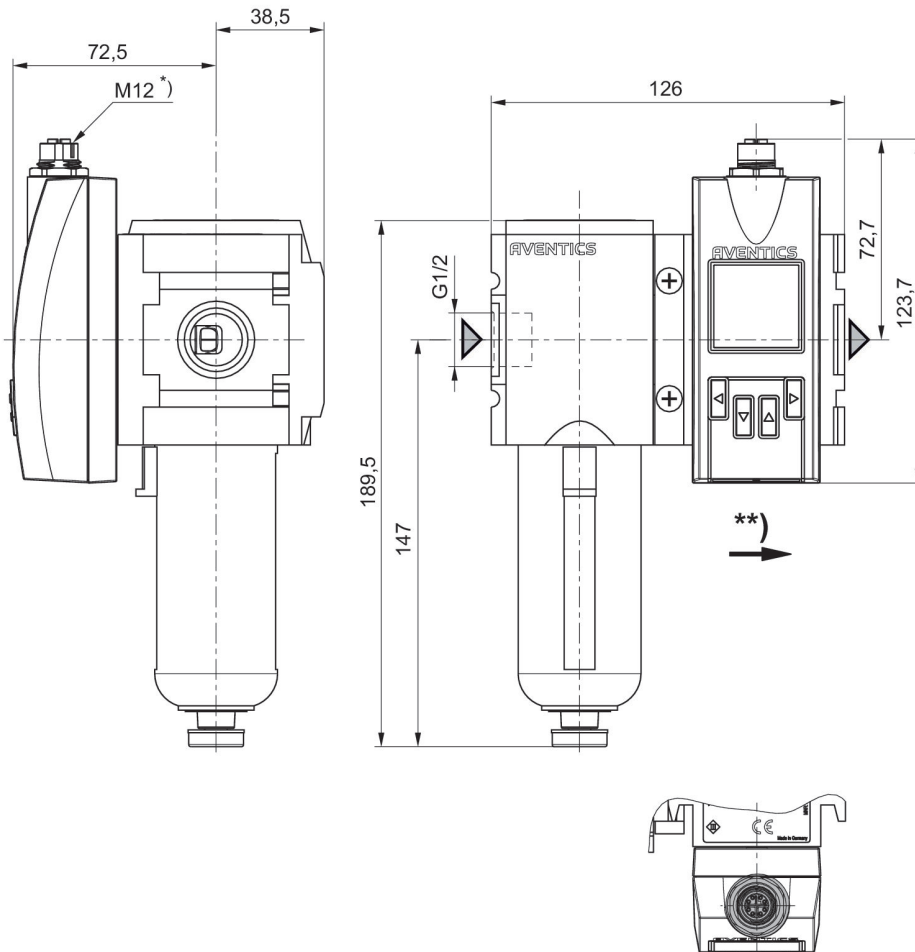
AF2 series flow rate sensor, Ethernet

Plug
M12x1
AS3



Frame size	Protocol	Output signal	Operational voltage	Port	Flow [l/min]	Part No.
AS3	Ethernet, TCP/IP, OPC UA, MQTT	OPC UA, MQTT, Integrated web server	24 V DC	G 1/2	1630	R412027180

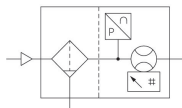
Dimensions in mm



* Internal thread
** Flow direction

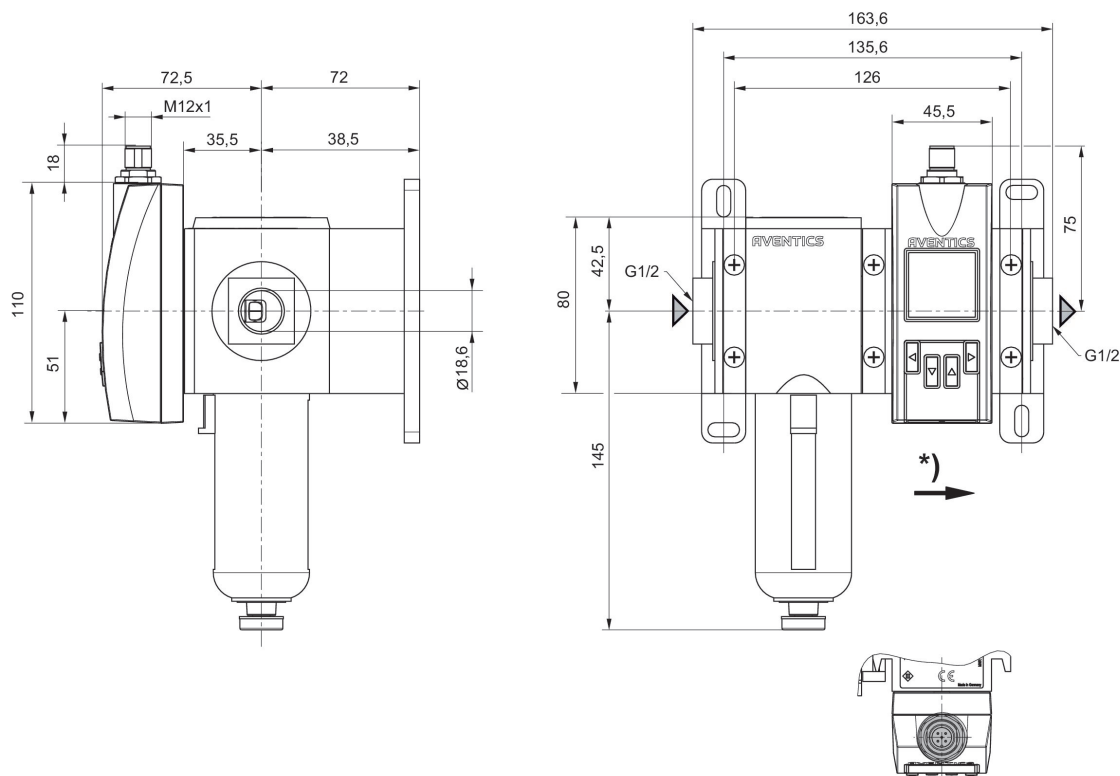
Series AF2 flow rate sensor, IO-Link

Plug
M12x1
AS3



Frame size	Protocol	Output signal	Operational voltage	Port	Flow [l/min]	Part No.
AS3	IO-Link, Analog	PNP, NPN, push-pull, 1x IO-Link	17-30 V DC	G 1/2	1630	R412026835

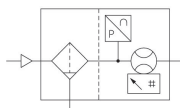
Dimensions in mm



* Flow direction

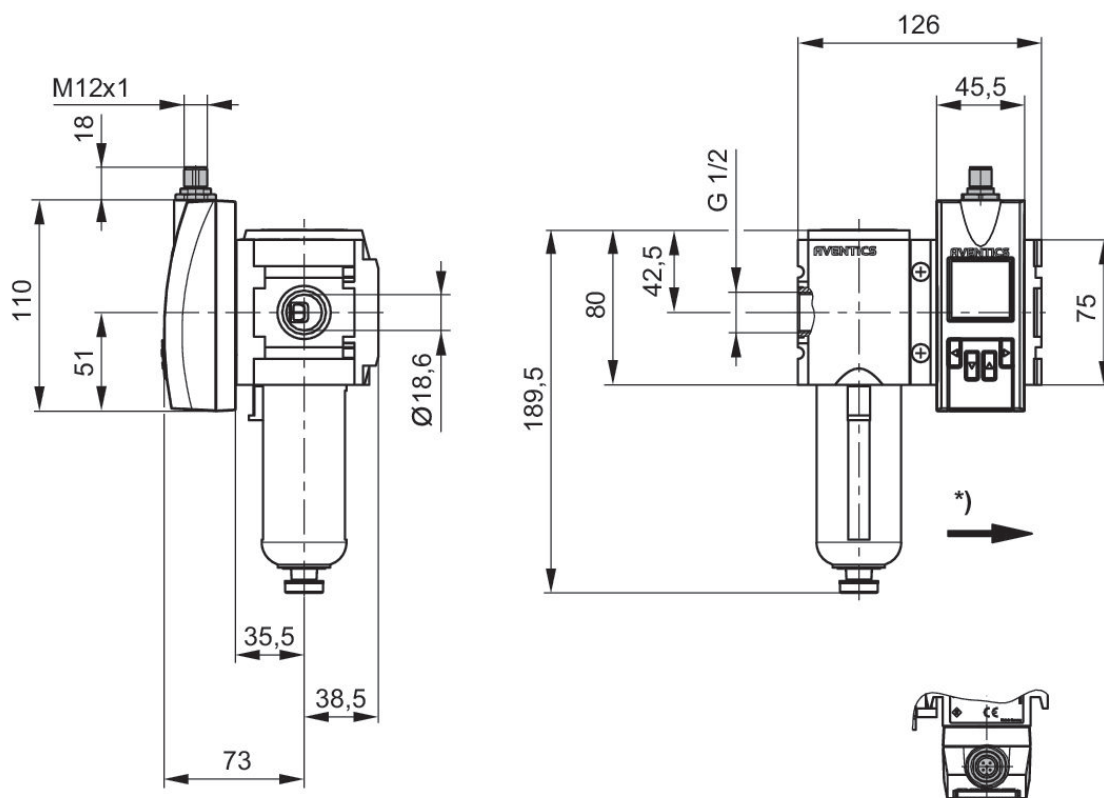
Series AF2 flow rate sensor, IO-Link

Plug
M12x1
AS3



Frame size	Protocol	Output signal	Operational voltage	Port	Flow [l/min]	Part No.
AS3	IO-Link, Analog	PNP, NPN, push-pull, 1x IO-Link	17-30 V DC	G 1/2	1630	R412027177

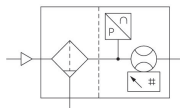
Dimensions in mm



* Flow direction

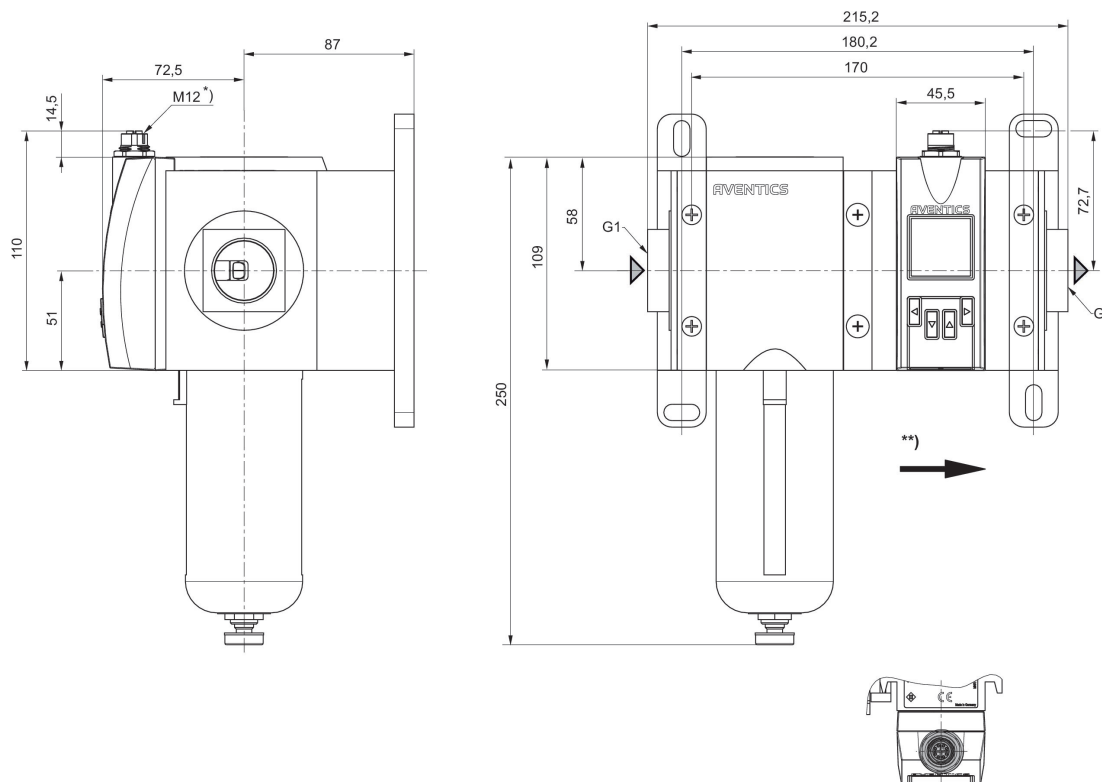
AF2 series flow rate sensor, Ethernet

Plug
M12x1
AS5



Frame size	Protocol	Output signal	Operational voltage	Port	Flow [l/min]	Part No.
AS5	Ethernet, TCP/IP, OPC UA, MQTT	OPC UA, MQTT, Integrated web server	24 V DC	G 1	4326	R412026839

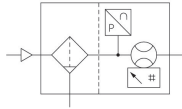
Dimensions in mm



* Internal thread
** Flow direction

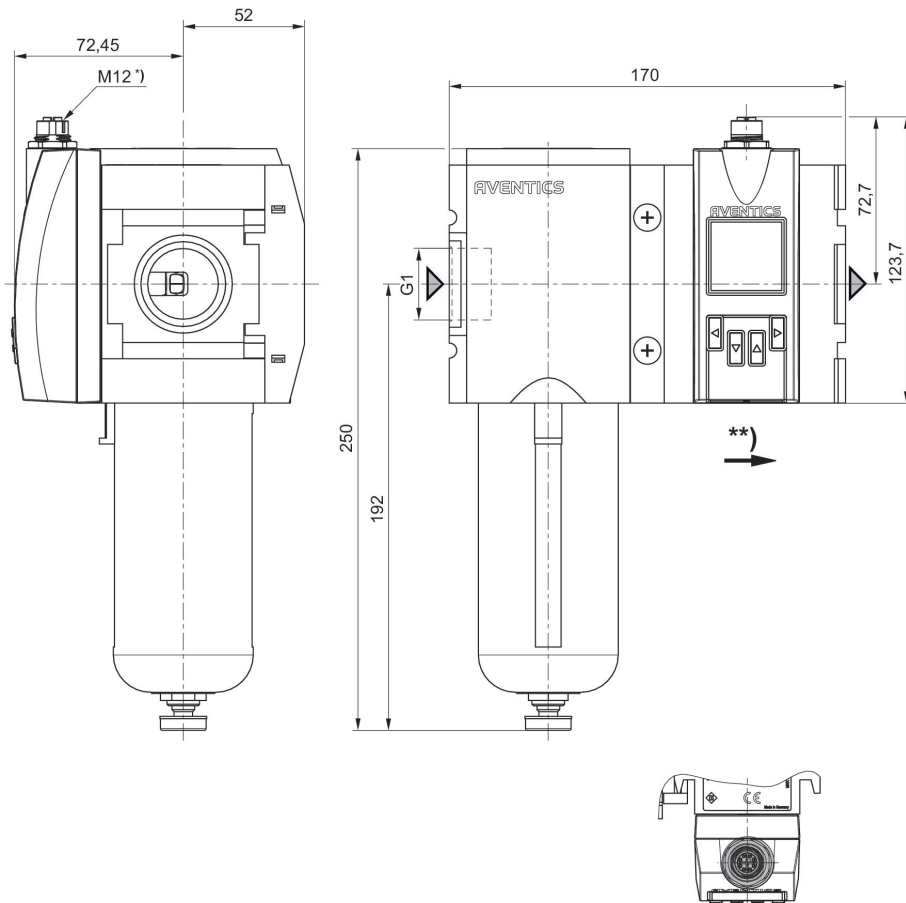
AF2 series flow rate sensor, Ethernet

Plug
M12x1
AS5



Frame size	Protocol	Output signal	Operational voltage	Port	Flow [l/min]	Part No.
AS5	Ethernet, TCP/IP, OPC UA, MQTT	OPC UA, MQTT, Integrated web server	24 V DC	G 1	4326	R412027181

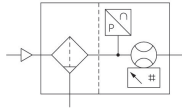
Dimensions in mm



* Internal thread
** Flow direction

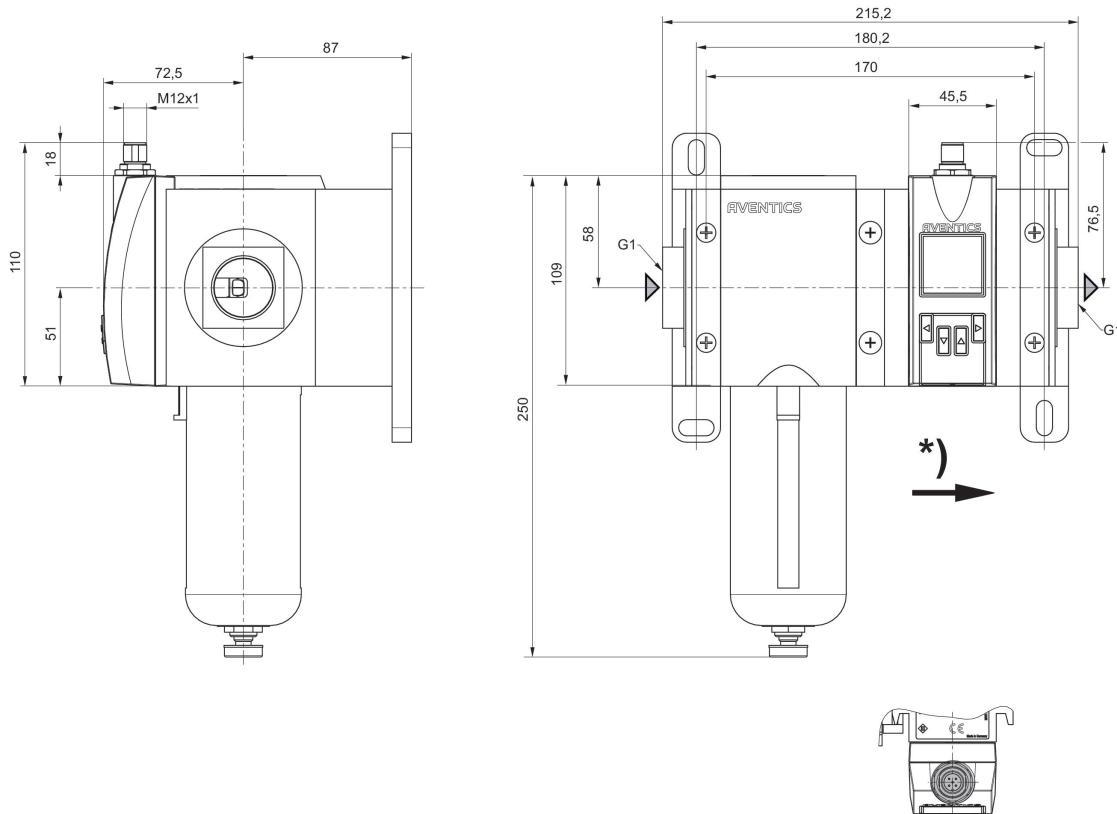
Series AF2 flow rate sensor, IO-Link

Plug
M12x1
AS5



Frame size	Protocol	Output signal	Operational voltage	Port	Flow [l/min]	Part No.
AS5	IO-Link, Analog	PNP, NPN, push-pull, 1x IO-Link	17-30 V DC	G 1	4326	R412026836

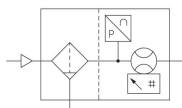
Dimensions in mm



* Flow direction

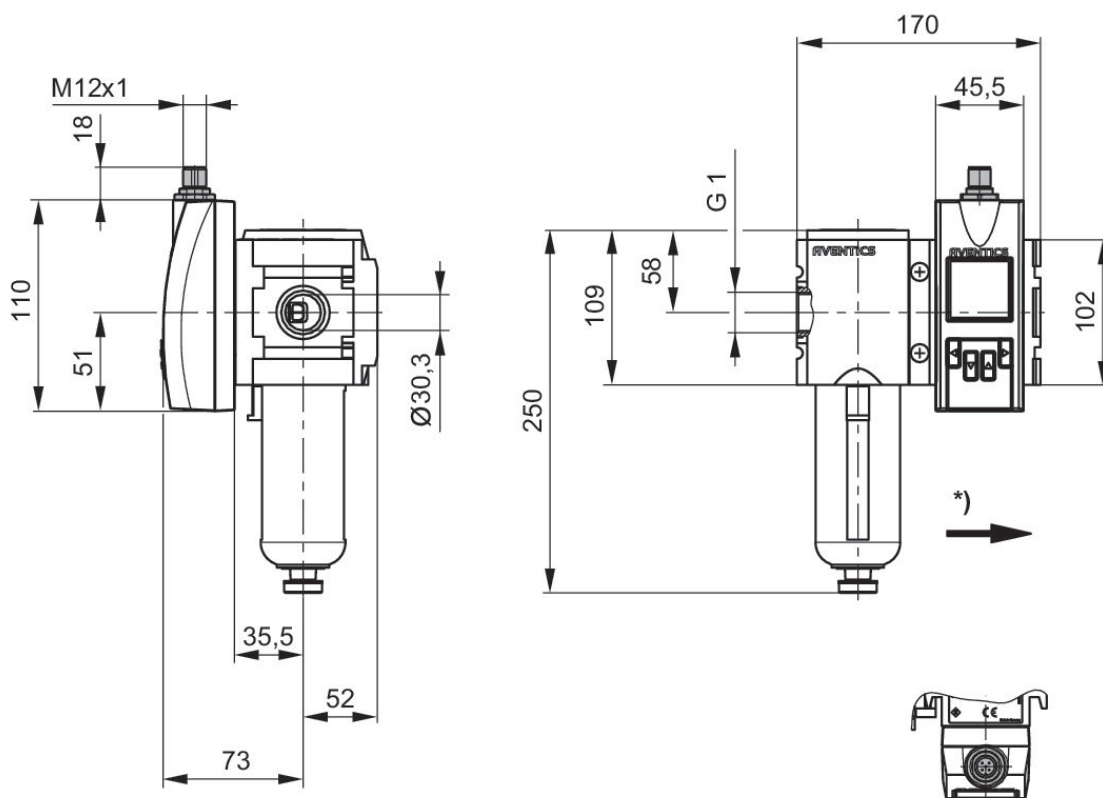
AF2 series flow rate sensor, Ethernet

Plug
M12x1
AS5



Frame size	Protocol	Output signal	Operational voltage	Port	Flow [l/min]	Part No.
AS5	IO-Link, Analog	PNP, NPN, push-pull, 1x IO-Link	17-30 V DC	G 1	4326	R412027178

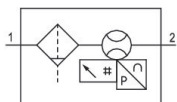
Dimensions in mm



* Flow direction

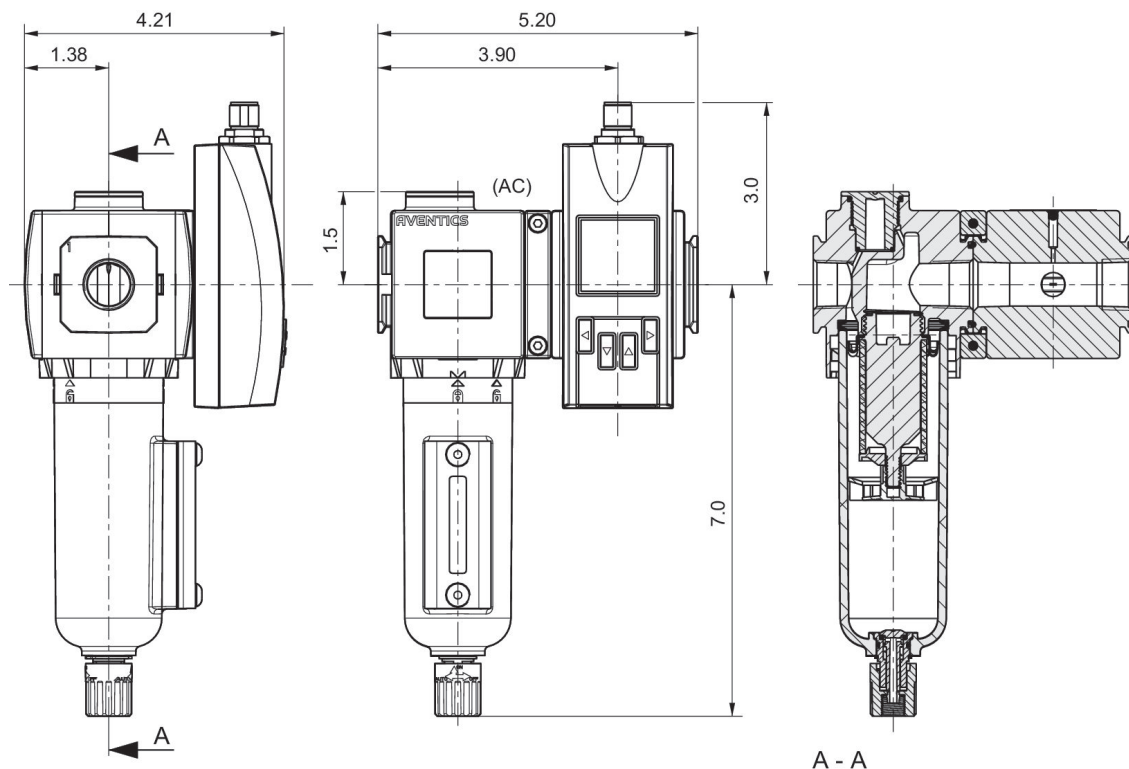
AF2 series flow rate sensor, Ethernet

Plug
M12x1
652



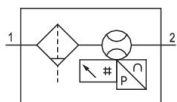
Frame size	Protocol	Output signal	Operational voltage	Port	Flow [l/min]	Part No.
652	Ethernet, TCP/IP, OPC UA, MQTT	OPC UA, MQTT, Integrated web server	24 V DC	G 1/2	1630	G652AVBP4JA001N
652	Ethernet, TCP/IP, OPC UA, MQTT	OPC UA, MQTT, Integrated web server	24 V DC	1/2 NPT	1630	8652AVBP4JA001N

Dimensions in inches



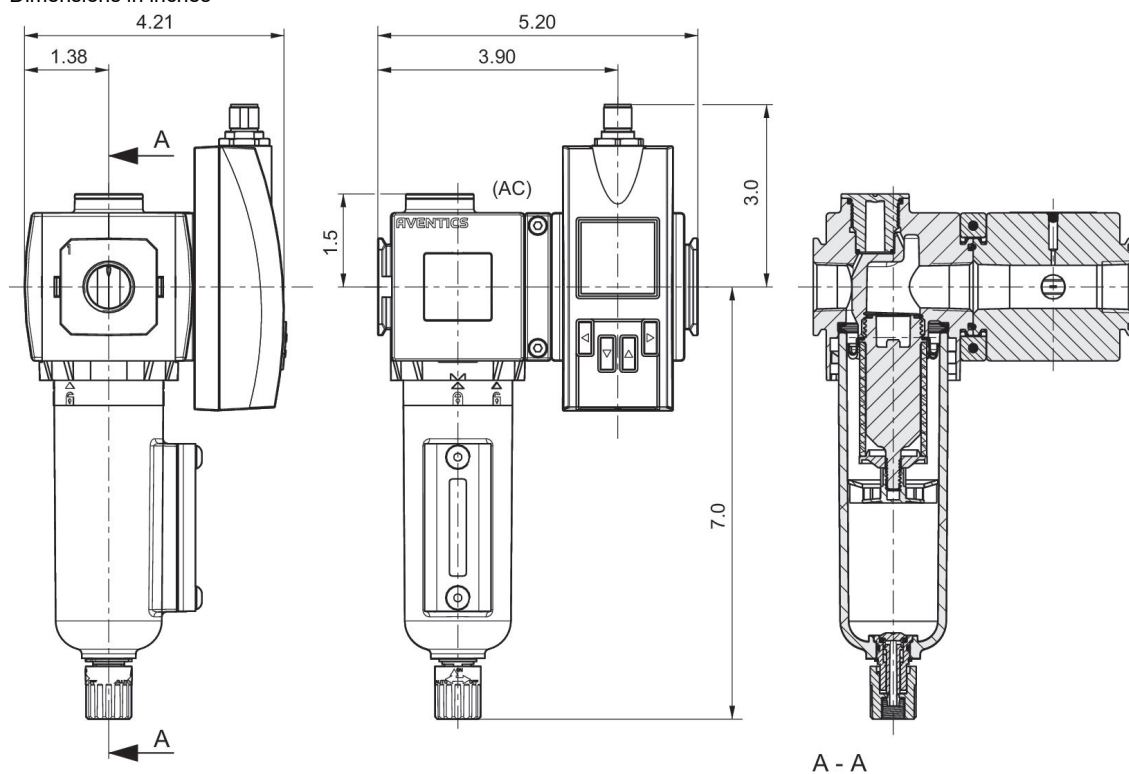
Series AF2 flow rate sensor, IO-Link

1630 l/min
Plug
M12x1
652



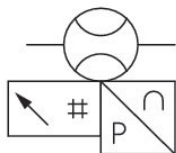
Frame size	Protocol	Output signal	Operational voltage	Port	Flow [l/min]	Part No.
652	IO-Link, Analog	PNP, NPN, push-pull, 1x IO-Link	17-30 V DC	G 1/2	1630	G652AVBP4JA000N
652	IO-Link, Analog	PNP, NPN, push-pull, 1x IO-Link	17-30 V DC	1/2 NPT	1630	8652AVBP4JA000N

Dimensions in inches



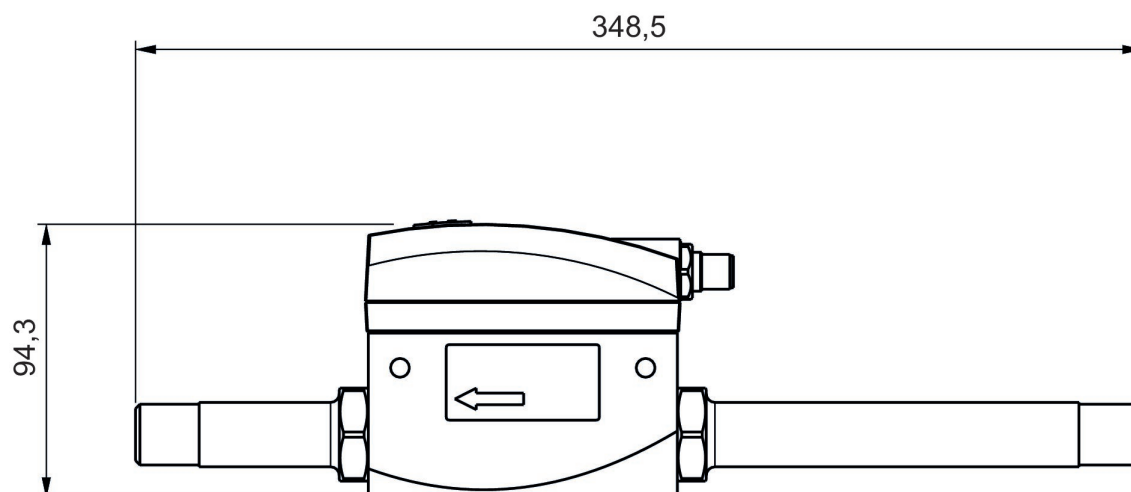
AF2 series flow rate sensor, Ethernet

Plug
M12x1
DN15



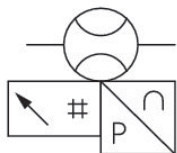
Frame size	Protocol	Output signal	Operational voltage	Port	Flow [l/min]	Part No.
DN15	Ethernet, TCP/IP, OPC UA, MQTT	OPC UA, MQTT, Integrated web server	24 V DC	G 1/2	1060	G652AV004JA0010
DN15	Ethernet, TCP/IP, OPC UA, MQTT	OPC UA, MQTT, Integrated web server	24 V DC	1/2 NPT	1060	8652AV004JA0010

Dimensions in mm



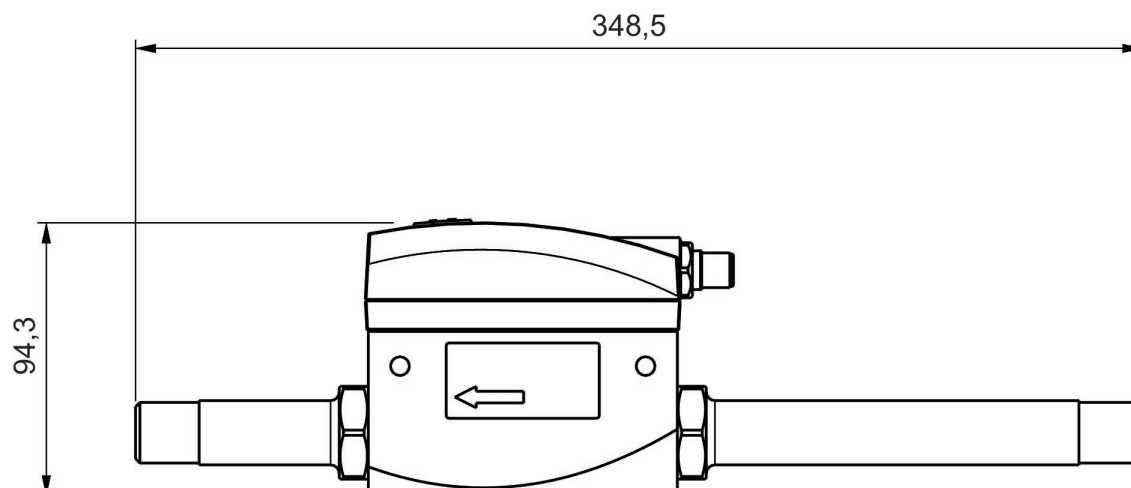
Series AF2 flow rate sensor, IO-Link

Plug
M12x1
DN15



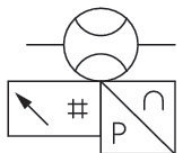
Frame size	Protocol	Output signal	Operational voltage	Port	Flow [l/min]	Part No.
DN15	IO-Link, Analog	PNP, NPN, push-pull, 1x IO-Link	17-30 V DC	G 1/2	1060	G652AV004JA0000
DN15	IO-Link, Analog	PNP, NPN, push-pull, 1x IO-Link	17-30 V DC	1/2 NPT	1060	8652AV004JA0000

Dimensions in mm



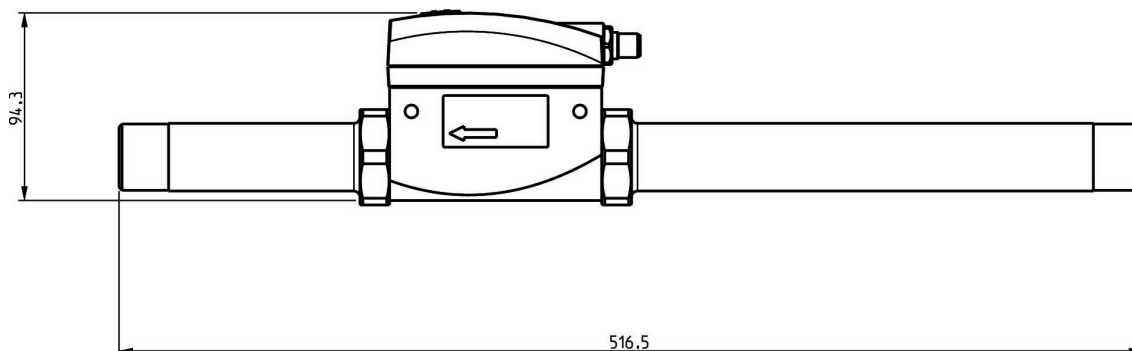
AF2 series flow rate sensor, Ethernet

2945 l/min
Plug
M12x1
DN25



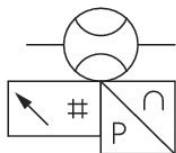
Frame size	Protocol	Output signal	Operational voltage	Port	Flow [l/min]	Part No.
DN25	TCP/IP, OPC UA, MQTT	OPC UA, MQTT, Integrated web server	24 V DC	G 1	2945	G653AV006JA0010
DN25	TCP/IP, OPC UA, MQTT	OPC UA, MQTT, Integrated web server	24 V DC	1 NPT	2945	8653AV006JA0010

Dimensions in mm



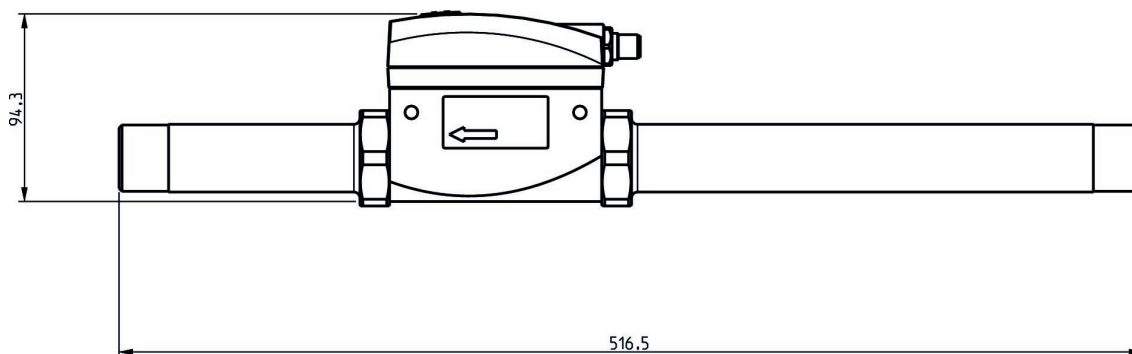
Series AF2 flow rate sensor, IO-Link

2945 l/min
Plug
M12x1
DN25



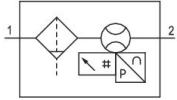
Frame size	Protocol	Output signal	Operational voltage	Port	Flow [l/min]	Part No.
DN25	IO-Link, Analog	PNP, NPN, push-pull, 1x IO-Link	17-30 V DC	G 1	2945	G653AV006JA0000
DN25	IO-Link, Analog	PNP, NPN, push-pull, 1x IO-Link	17-30 V DC	1 NPT	2945	8653AV006JA0000

Dimensions in mm



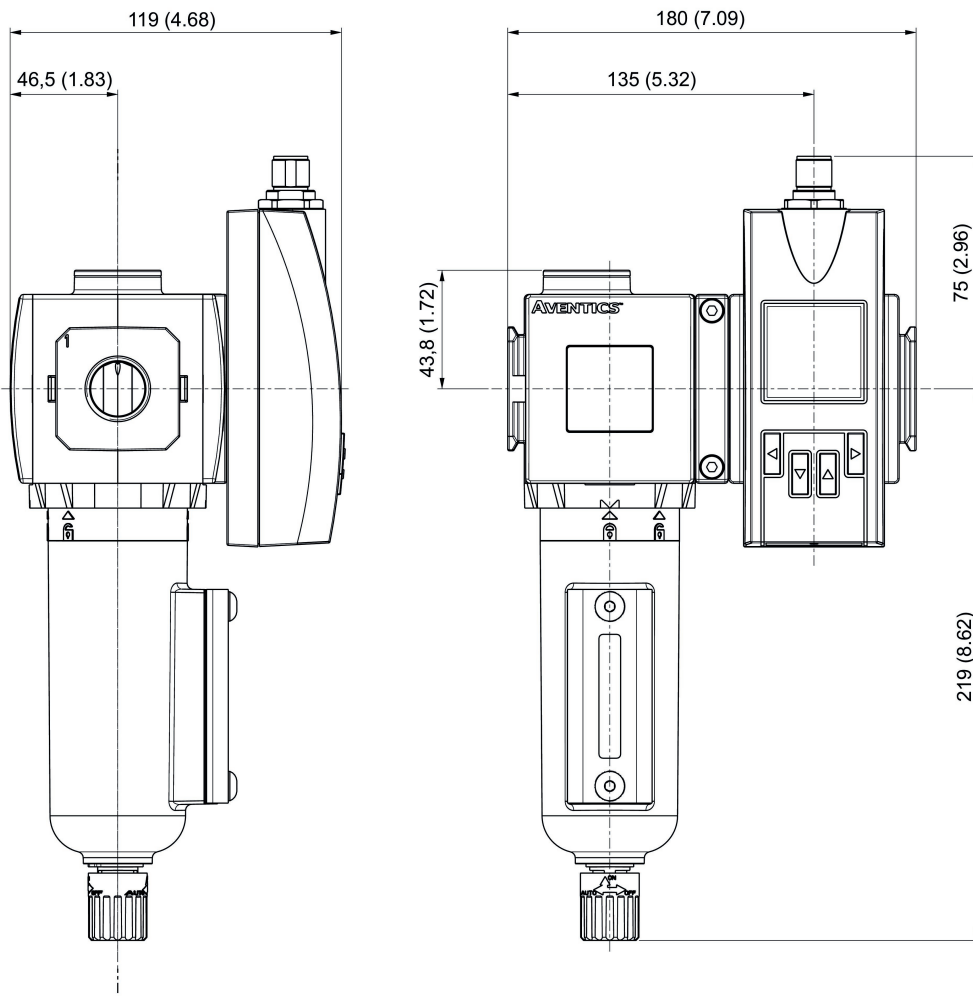
Series AF2 flow rate sensor, IO-Link

653



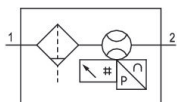
Frame size	Protocol	Output signal	Operational voltage	Port	Flow [l/min]	Part No.
653	IO-Link	PNP/NPN/push-pull, switchable	17-30 V DC	G 1	4328	G653AVBP6JA000N
653	IO-Link	PNP/NPN/push-pull, switchable	17-30 V DC	1 NPT	4328	8653AVBP6JA000N

Dimensions



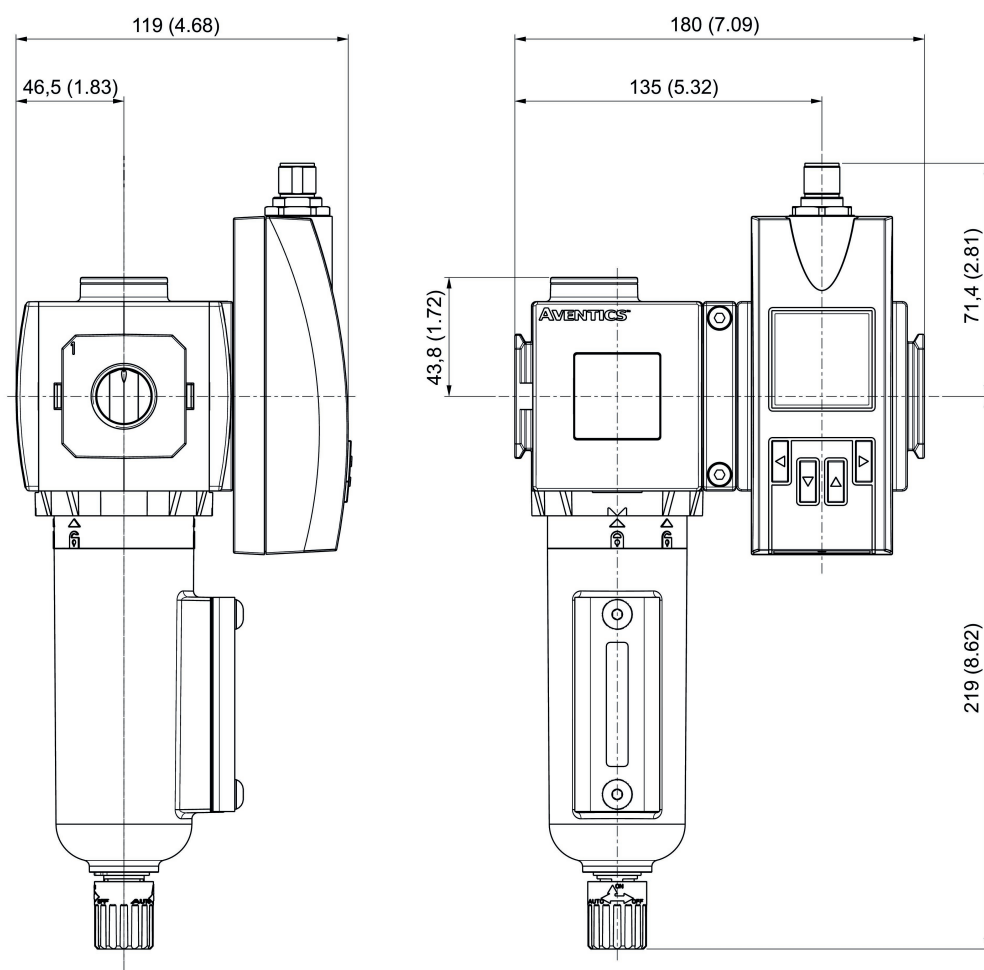
AF2 series flow rate sensor, Ethernet

Plug
M12x1
653



Frame size	Protocol	Output signal	Operational voltage	Port	Flow [l/min]	Part No.
653	TCP/IP, OPC UA, MQTT	OPC UA, MQTT, Integrated web server	24 V DC	G 1	4328	G653AVBP6JA001N
653	TCP/IP, OPC UA, MQTT	OPC UA, MQTT, Integrated web server	24 V DC	1 NPT	4328	8653AVBP6JA001N

Dimensions



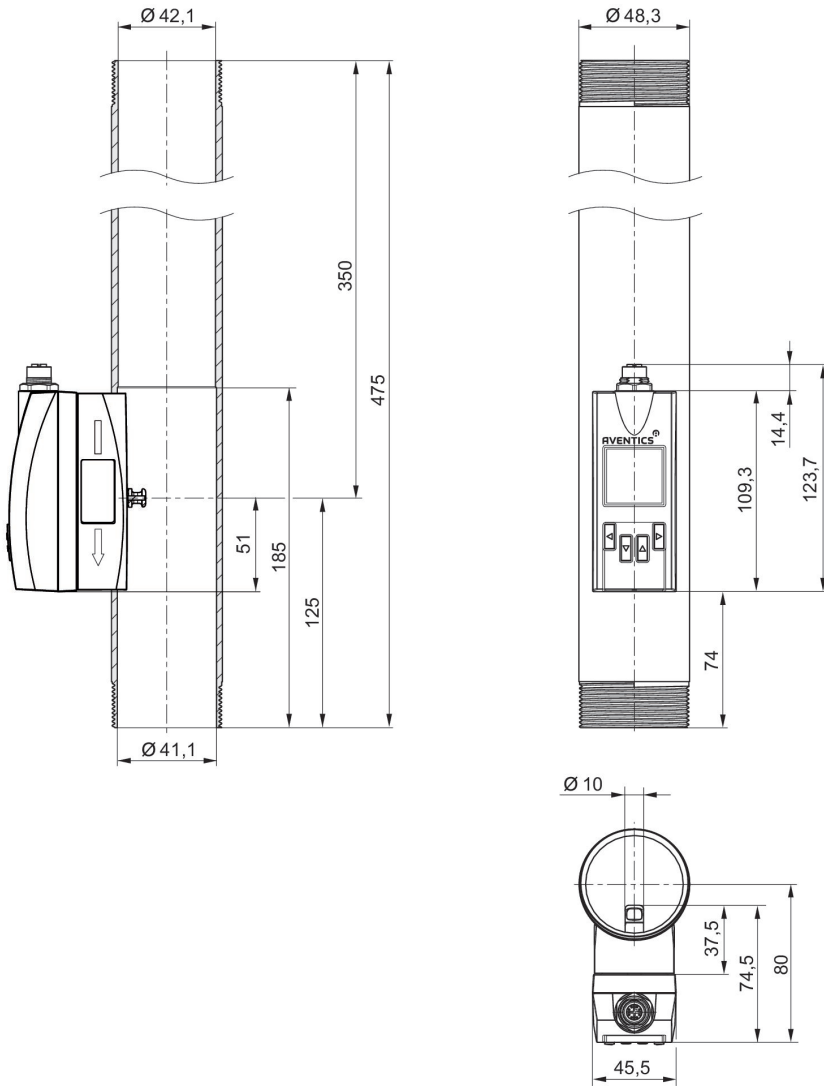
AF2 series flow rate sensor, Ethernet

7540 l/min
Plug
M12x1
DN40



Frame size	Protocol	Output signal	Operational voltage	Port	Flow [l/min]	Part No.
DN40	Ethernet, TCP/IP, OPC UA, MQTT	OPC UA, MQTT, Integrated web server	24 V DC	R 1 1/2	7540	R412028643
DN40	Ethernet, TCP/IP, OPC UA, MQTT	OPC UA, MQTT, Integrated web server	24 V DC	1 1/2 NPT	7540	R412028645

Dimensions in mm



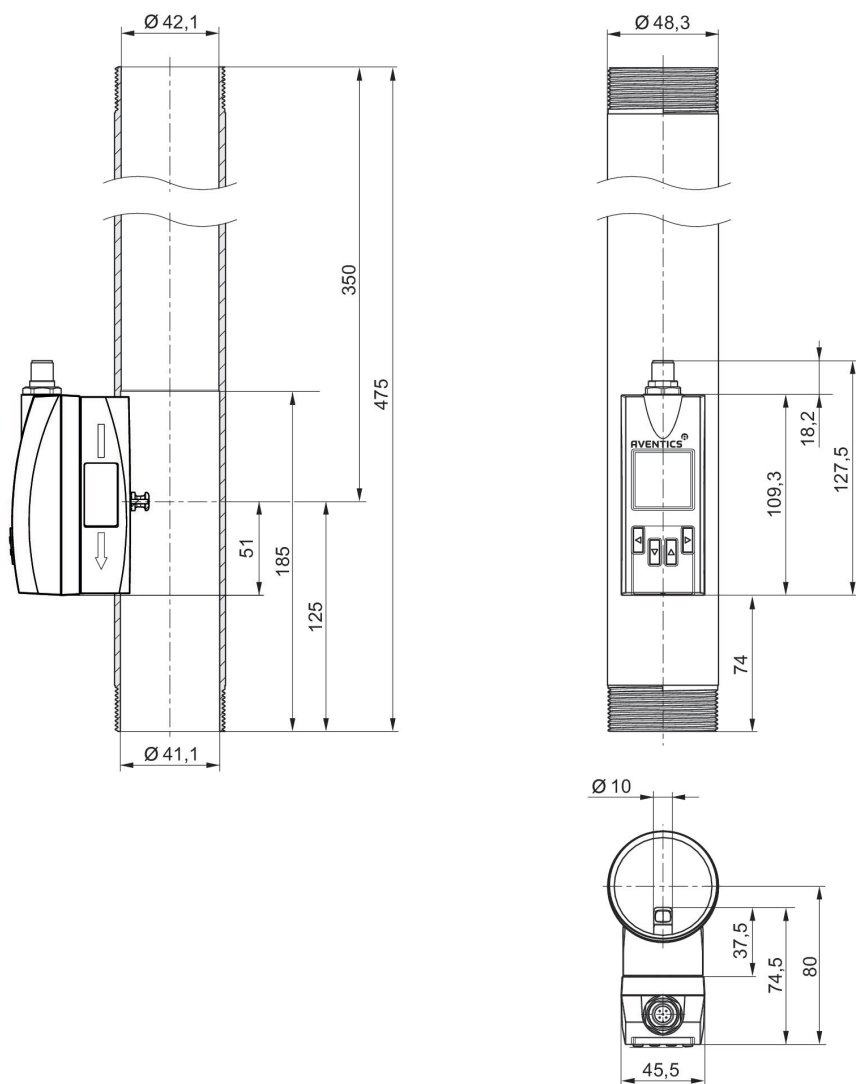
Series AF2 flow rate sensor, IO-Link

7540 l/min
Plug
M12x1
DN40



Frame size	Protocol	Output signal	Operational voltage	Port	Flow [l/min]	Part No.
DN40	IO-Link, Analog	PNP, NPN, push-pull, 1x IO-Link	17-30 V DC	1 1/2 NPT	7540	R412028644
DN40	IO-Link, Analog	PNP, NPN, push-pull, 1x IO-Link	17-30 V DC	R 1 1/2	7540	R412028642

Dimensions in mm



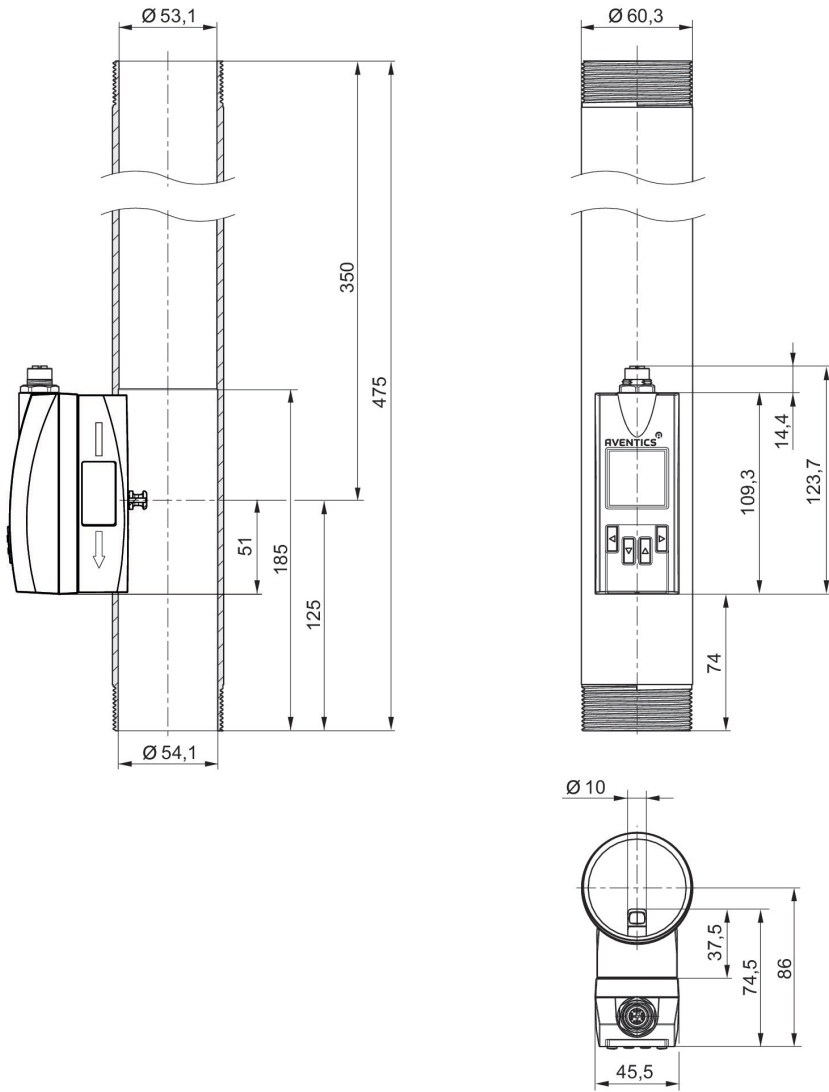
AF2 series flow rate sensor, Ethernet

11780 l/min
Plug
M12x1
DN50



Frame size	Protocol	Output signal	Operational voltage	Port	Flow [l/min]	Part No.
DN50	Ethernet, TCP/IP, OPC UA, MQTT	OPC UA, MQTT, Integrated web server	24 V DC	R 2	11780	R412028647
DN50	Ethernet, TCP/IP, OPC UA, MQTT	OPC UA, MQTT, Integrated web server	24 V DC	R 2 NPT	11780	R412028649

Dimensions in mm



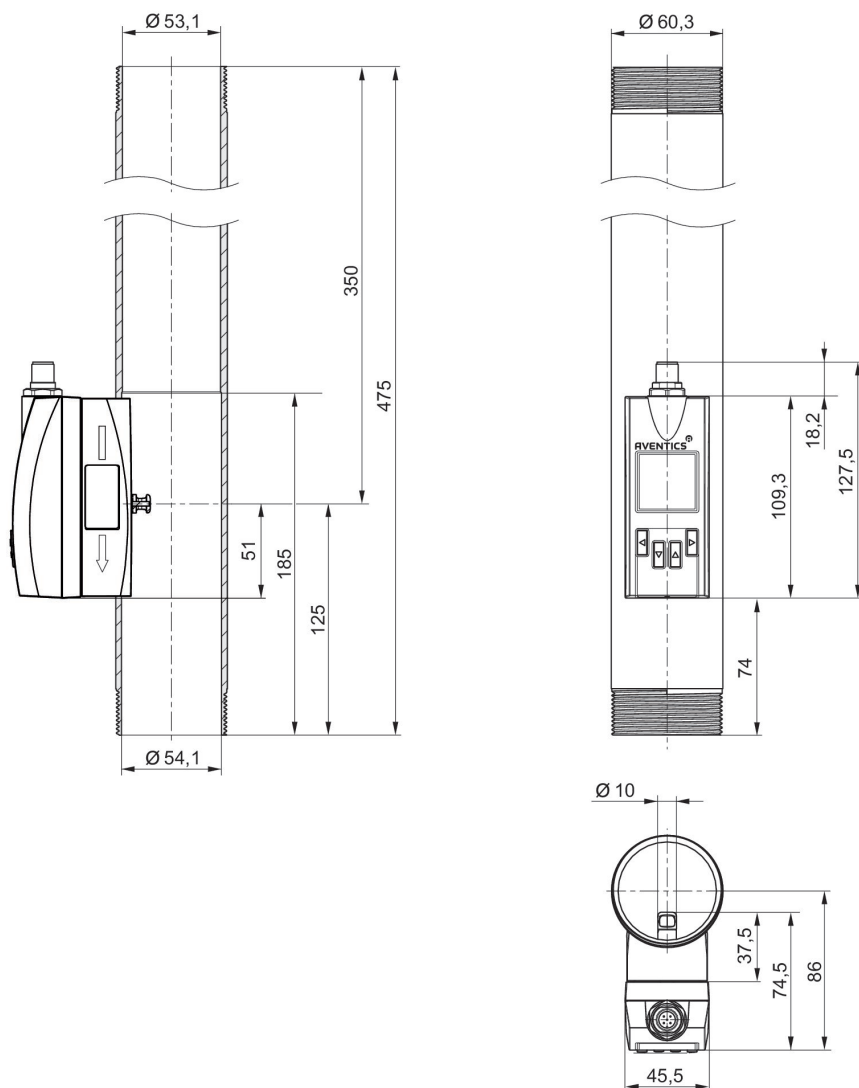
Series AF2 flow rate sensor, IO-Link

11780 l/min
Plug
M12x1
DN50



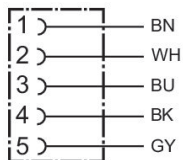
Frame size	Protocol	Output signal	Operational voltage	Port	Flow [l/min]	Part No.
DN50	IO-Link, Analog	PNP, NPN, push-pull, 1x IO-Link	17-30 V DC	R 2	11780	R412028646
DN50	IO-Link, Analog	PNP, NPN, push-pull, 1x IO-Link	17-30 V DC	R 2 NPT	11780	R412028648

Dimensions in mm



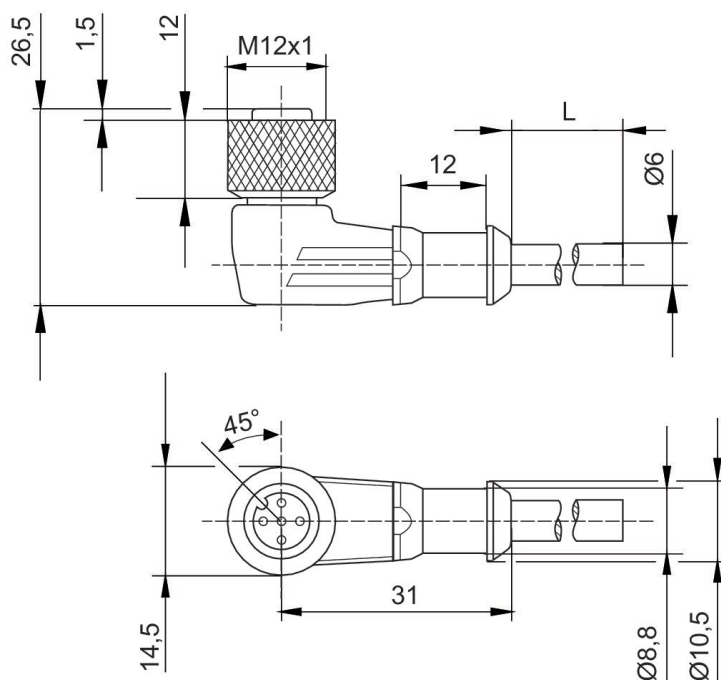
Round plug connector, Series CON-RD

Socket
M12x1
5-pin



Operational voltage	Electrical connection 1, type	Electrical connection 1, thread size	Electrical connection 2, type	Cable length [m]	Part No.
48 V AC/DC	Socket	M12x1	open cable ends	2.5	R419800109
48 V AC/DC	Socket	M12x1	open cable ends	5	R419800110
48 V AC/DC	Socket	M12x1	open cable ends	10	R419800546

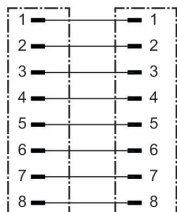
Dimensions



L = length

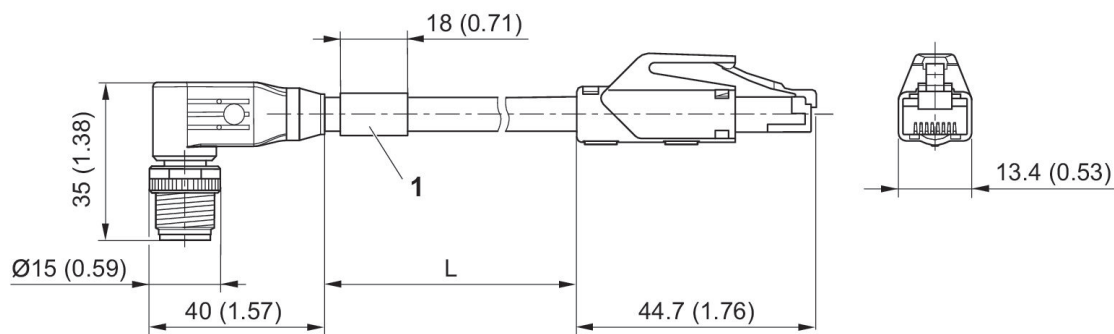
Round plug connectors with cable, Series CON-RD

Plug
Plug
M12x1
RJ45
8-pin



Operational voltage	Electrical connection 1, type	Electrical connection 1, thread size	Electrical connection 2, type	Electrical connection 2, thread size	Cable length [m]	Part No.
60 V AC/DC	Plug	M12x1	Plug	RJ45	5	R412027647

Dimensions



1) Name plate

Efficient pneumatic solutions, our program: cylinders and drives, valves and valve systems, air supply management



Visit us: [Emerson.com/Aventics](https://www.emerson.com/aventics)

Your local contact: [Emerson.com/contactus](https://www.emerson.com/contactus)



[Emerson.com](https://www.emerson.com)



[Facebook.com/EmersonAutomationSolutions](https://www.facebook.com/EmersonAutomationSolutions)



[LinkedIn.com/company/Emerson-Automation-Solutions](https://www.linkedin.com/company/Emerson-Automation-Solutions)



[Twitter.com/EMR_Automation](https://twitter.com/EMR_Automation)

An example configuration is depicted on the title page. The delivered product may thus vary from that in the illustration. Subject to change. This Document, as well as the data, specifications and other information set forth in it, are the exclusive property of AVENTICS GmbH. It may not be reproduced or given to third parties without its consent. Only use the AVENTICS products shown in industrial applications. Read the product documentation completely and carefully before using the product. Observe the applicable regulations and laws of the respective country. When integrating the product into applications, note the system manufacturer's specifications for safe use of the product. The data specified only serve to describe the product. No statements concerning a certain condition or suitability for a certain application can be derived from our information. The information given does not release the user from the obligation of own judgment and verification. It must be remembered that the products are subject to a natural process of wear and aging.

The Emerson logo is a trademark and service mark of Emerson Electric Co. Brand logotype are registered trademarks of one of the Emerson family of companies. All other marks are the property of their respective owners. © 2019 Emerson Electric Co. All rights reserved.



CONSIDER IT SOLVED™