

MU1



AVENTICS™

AVENTICS Series MU1 Air
Preparation Units


EMERSON™

Series MU1

The AVENTICS Series MU1 components are ideal for applications in harsh environments. They offer large thread connections to guarantee a high compressed air flow rate and provide reliable filtration, regulation and lubrication.

- High flow rate possible due to the large nominal width
- Robust design
- Metal housing
- Suitable for operations in harsh environments



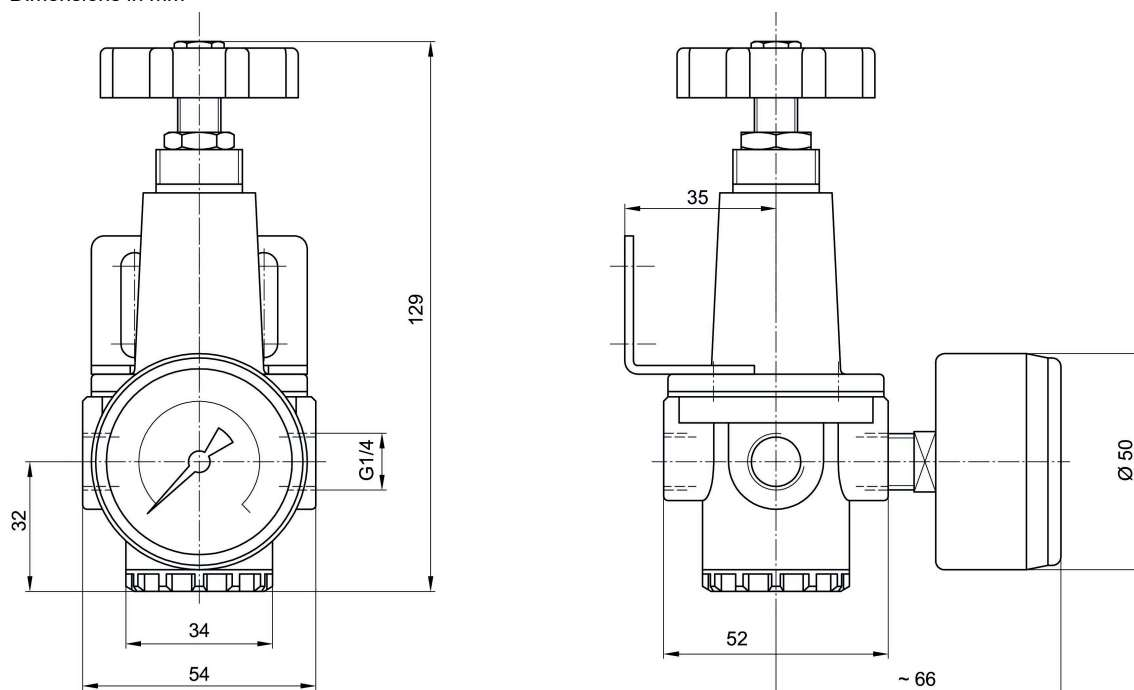
Pressure regulator, Series MU1-RGS

1000 l/min
Pressure regulator
Free of substances that impair surface wetting in the coating process



Compressed air connection	Part No.
G 1/4	R412010111

Dimensions in mm



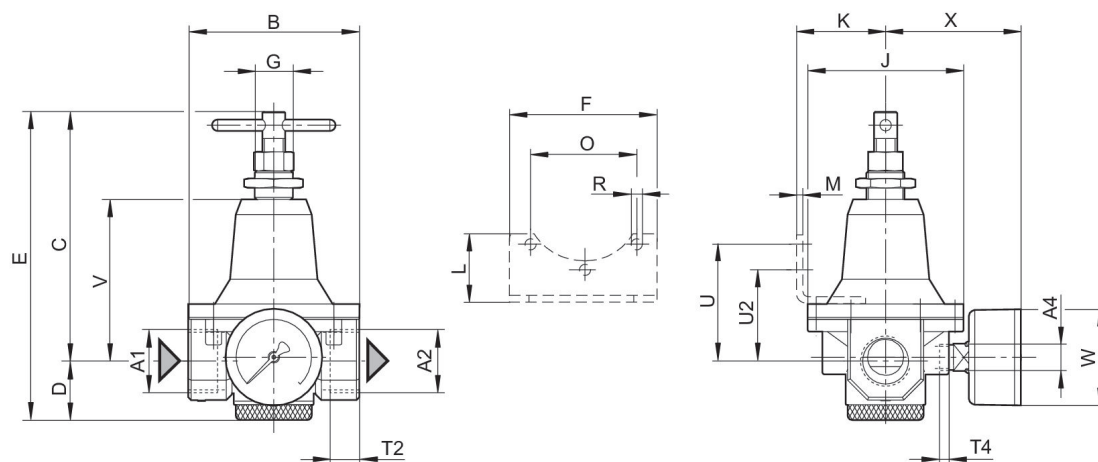
Pressure regulator, Series MU1-RGS

5000 l/min
Pressure regulator



Compressed air connection	Part No.
G 1/2	R412004371
G 1/2	R412007578
G 1/2	9153320160

Dimensions



Part No.	A1	A2	A4	B	C	D	E	F	G	J
R412004371	G 1/2	G 1/2	G 1/4	82	129	31	162	124	M20x1,5	82
R412007578	G 1/2	G 1/2	G 1/4	82	129	31	162	124	M20x1,5	82
9153320160	G 1/2	G 1/2	G 1/4	82	129	31	162	124	M20x1,5	82

Part No.	K	L	M	O	R	U	U2	T2	T4	V
R412004371	47	38	3	53.6	6	58	45	14	7	83
R412007578	47	38	3	53.6	6	58	45	14	7	83
9153320160	47	38	3	53.6	6	58	45	14	7	83

Part No.	W	X
R412004371	63	72

Part No.	W	X
R412007578	63	72
9153320160	63	72

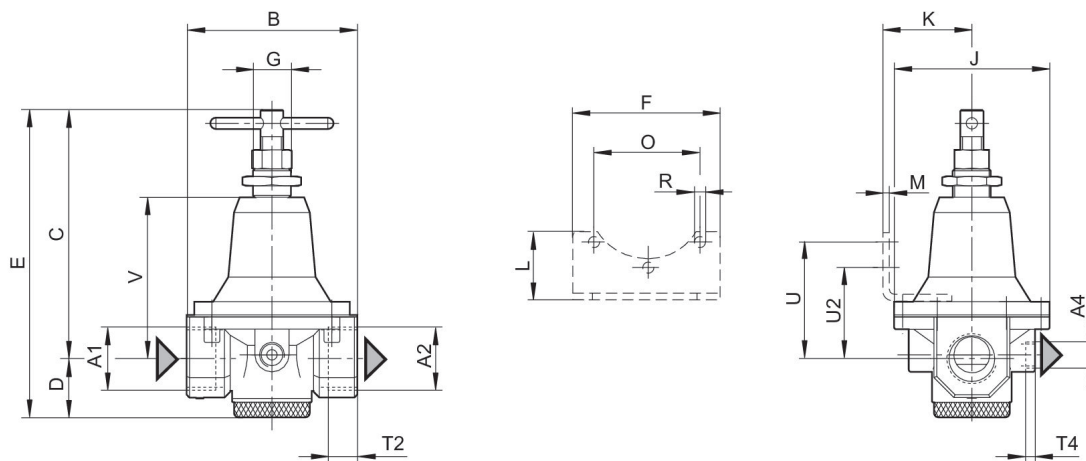
Pressure regulator, Series MU1-RGS

5000 l/min
Pressure regulator



Compressed air connection	Part No.
G 1	R412006574

Dimensions



Part No.	A1	A2	A4	B ±5	C ±5	D ±5	E ±7	F	G	J ±5
R412006574	G 1	G 1	G 1/4	90	131	31	162	124	M20x1,5	82

Part No.	K	L	M	O	R	T2	T4	U	U2	V
R412006574	47	38	3	53.3	5.5	18	7	60.1	47.1	83

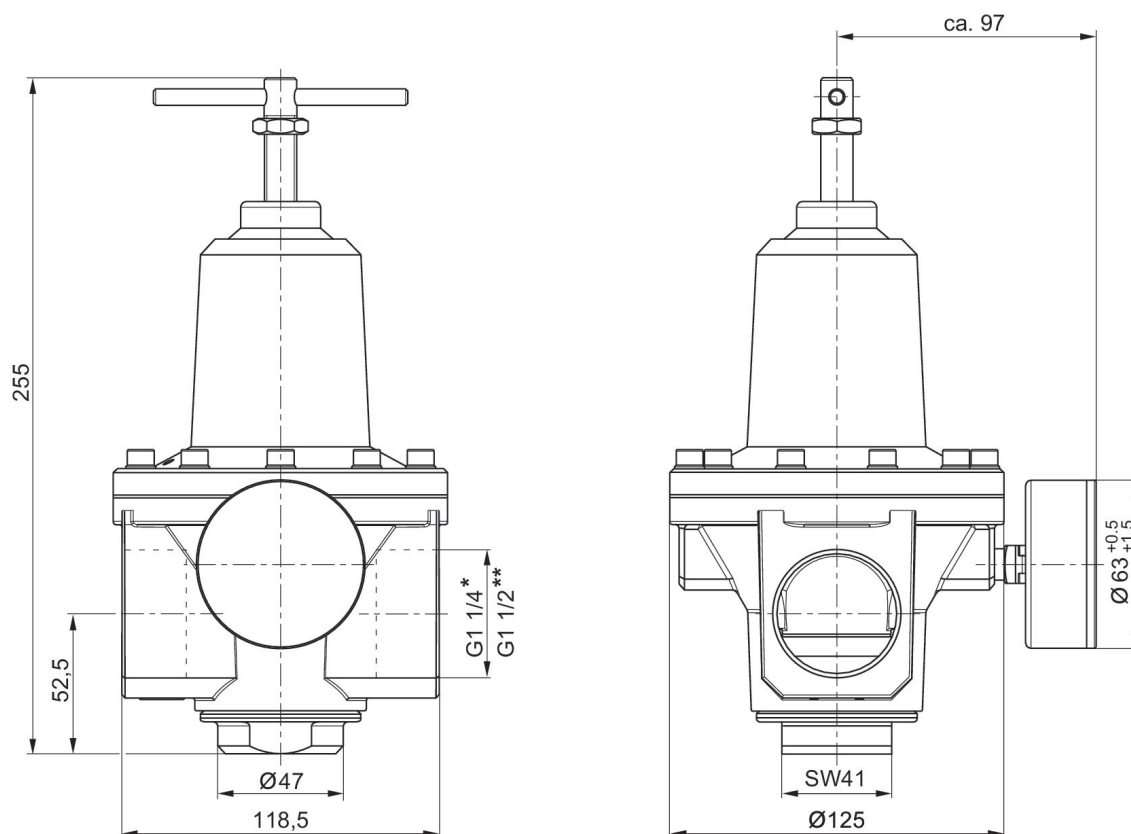
Pressure regulator, Series MU1-RGS

15000 l/min
Pressure regulator



Compressed air connection	Part No.
G 1 1/4	R412006575
G 1 1/2	R402000233

Dimensions



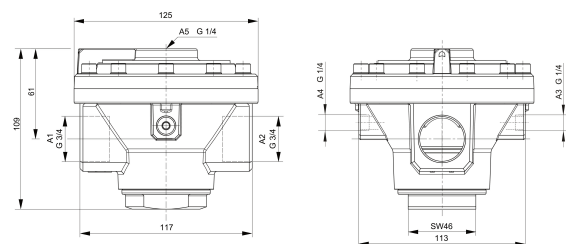
Pressure regulator, Series MU1-RGS

35000 l/min
Pressure regulator



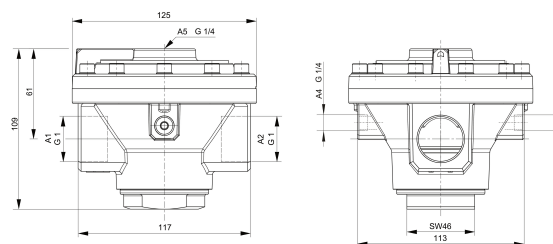
Compressed air connection	Part No.
G 3/4	R412007600
G 1	R976750953
G 1 1/2	R412006577

R412007600



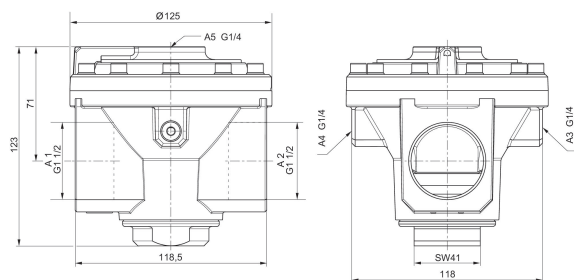
A1 = input
A2 = output
A3 = pressure gauge connection
A4 = pressure gauge connection back side
A5 = Control pressure connection
Pressure gauge holes A3 and A4 closed

R976750953



A1 = input
A2 = output
A3 = pressure gauge connection
A4 = pressure gauge connection back side
A5 = Control pressure connection
Pressure gauge A4 hole closed

R412006577



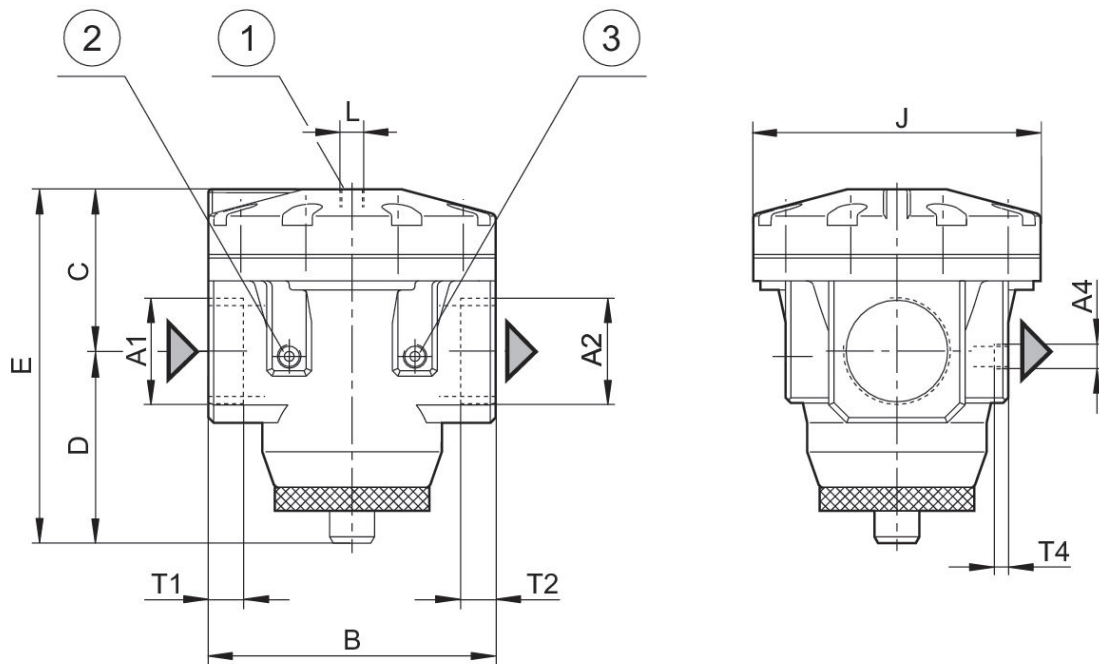
A1 = input A2 = output A3 = pressure gauge connection
A4 = pressure gauge connection back side
A5 = Control pressure connection
Pressure gauge A4 hole closed

Pressure regulator, Series MU1-RGS

50000 l/min
Pressure regulator

Compressed air connection	Part No.
G 2	R412006578

Dimensions



- 1) Pilot connection
- 2) Pressure gauge connection P1
- 3) Pressure gauge connection P2

Part No.	A1	A2	A4	B ±5	C ±5	D ±5	E ±7	J ±5	L	T1
R412006578	G2	G2	G 1/4	160	90	107	197	160	G 1/4	30

Part No.	T2	T4							
R412006578	30	9.5							

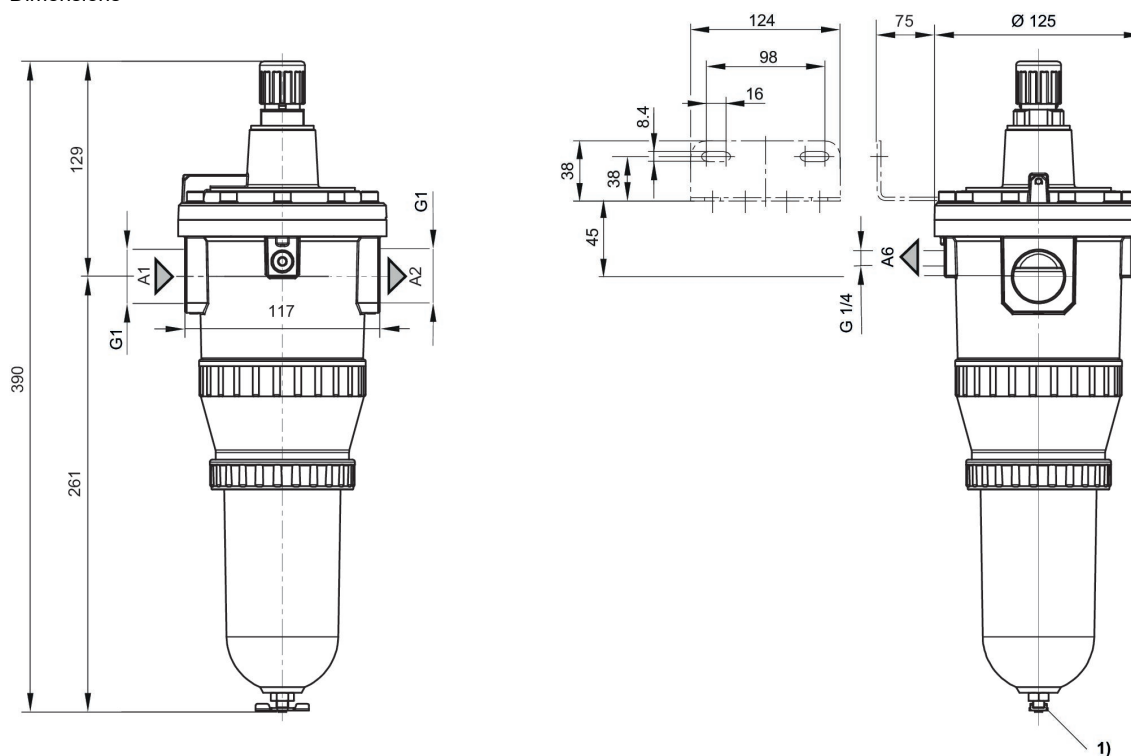
Filter pressure regulator, Series MU1-FRE

7000 l/min
Filter pressure regulator



Compressed air connection	Part No.
G 1	9155522410

Dimensions



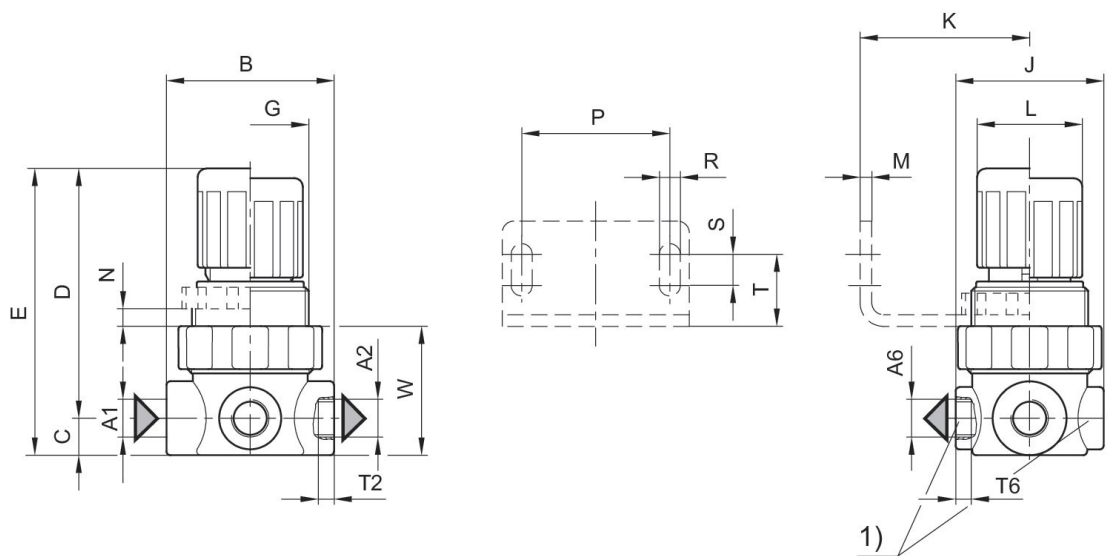
Pressure regulator, Series MU1-RGS

450 l/min
Pressure regulator



Compressed air connection	Part No.
G 1/8	0821302425
G 1/8	0821302426
G 1/8	0821302427
G 1/4	0821302429
G 1/4	0821302448
G 1/4	0821302449

Dimensions



1) Pressure gauge connection

	A1	A2	A6	B	C	D	E	G	J	K
0821302425	G 1/8	G 1/8	G 1/8	43	9.5	61	70.5	M30x1,5	38	40
0821302426	G 1/8	G 1/8	G 1/8	43	9.5	61	70.5	M30x1,5	38	40
0821302427	G 1/8	G 1/8	G 1/8	43	9.5	61	70.5	M30x1,5	38	40
0821302429	G 1/4	G 1/4	G 1/8	43	9.5	61	70.5	M30x1,5	38	40
0821302448	G 1/4	G 1/4	G 1/8	43	9.5	61	70.5	M30x1,5	38	40
0821302449	G 1/4	G 1/4	G 1/8	43	9.5	61	70.5	M30x1,5	38	40

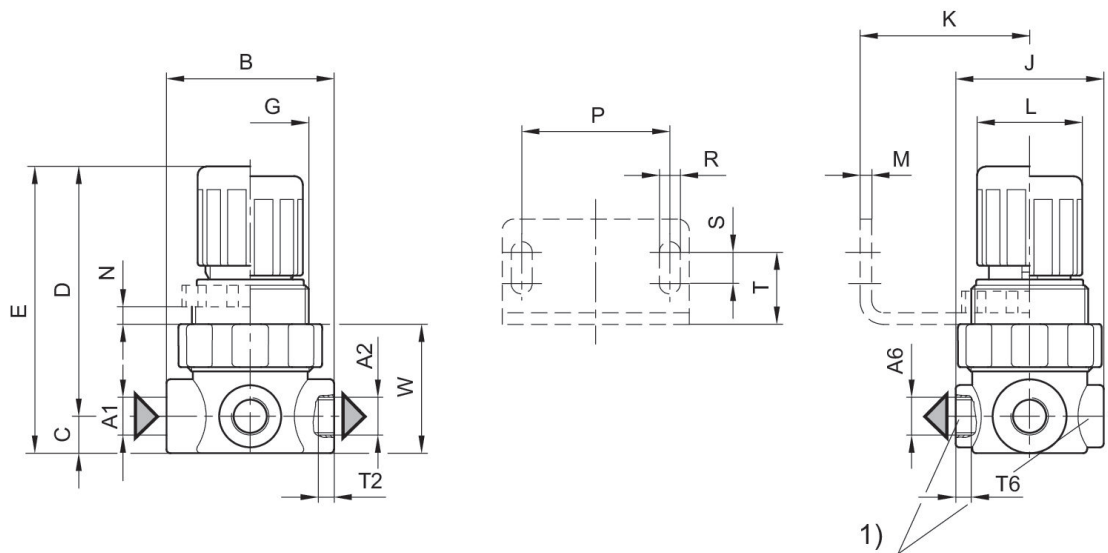
	L	M	N	P	R	S	T	T2	T6	W
0821302425	27	3	5	38	5.4	8	18.5	8	8	33
0821302426	27	3	5	38	5.4	8	18.5	8	8	33
0821302427	27	3	5	38	5.4	8	18.5	8	8	33
0821302429	27	3	5	38	5.4	8	18.5	8	8	33
0821302448	27	3	5	38	5.4	8	18.5	8	8	33
0821302449	27	3	5	38	5.4	8	18.5	8	8	33

Pressure regulator, Series MU1-RGS

450 l/min
Pressure regulator

Compressed air connection	Part No.
G 1/4	R412007781

Dimensions



1) Pressure gauge connection

	A1	A2	A6	B	C	D	E	G	J	K
R412007781	G 1/4	G 1/4	G 1/8	43	9.5	61	70.5	M30x1,5	38	40

	L	M	N	P	R	S	T	T2	T6	W
R412007781	27	3	5	38	5.4	8	18.5	8	8	33

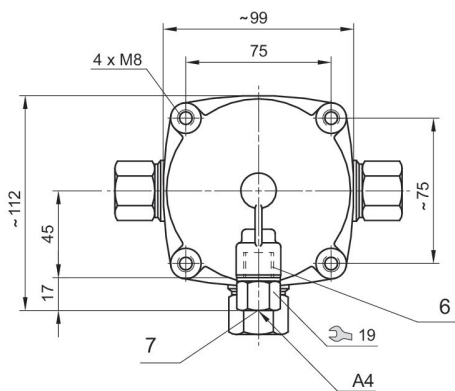
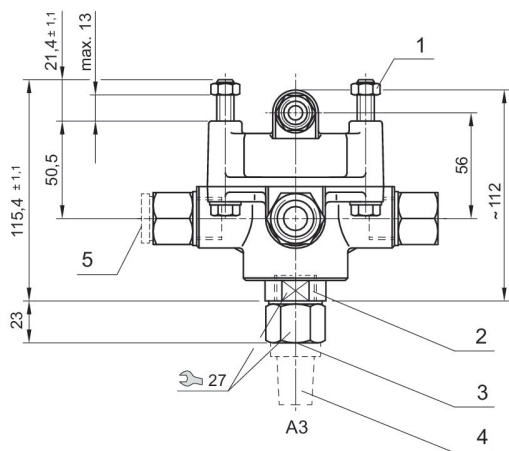
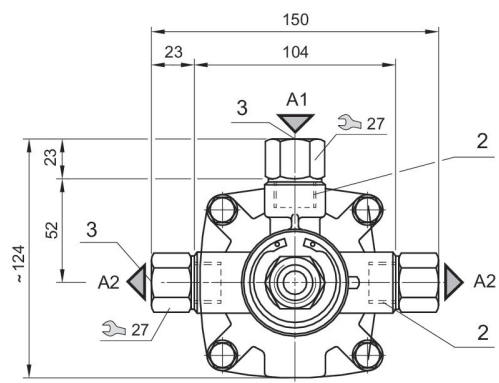
Pressure regulator, Series MU1-RGS

5500 l/min
Pressure regulator



Compressed air connection	Part No.
G 1/2	0821302026

Dimensions in mm



A1 = input

A2 = output

A3 = ventilation port

A4 = control pressure connection

(1) not included in scope of delivery (4 x M8, DIN 934) (2) M22x1.5, min. 13 mm deep (3) G 1/2, 17 mm deep (4) silencer (not included in scope of delivery) (5) blanking screw, to be fitting when only one connection is used (not included in scope of delivery) (6) M16x1.5, min. 12 mm deep (7) G 1/4, 12 mm deep

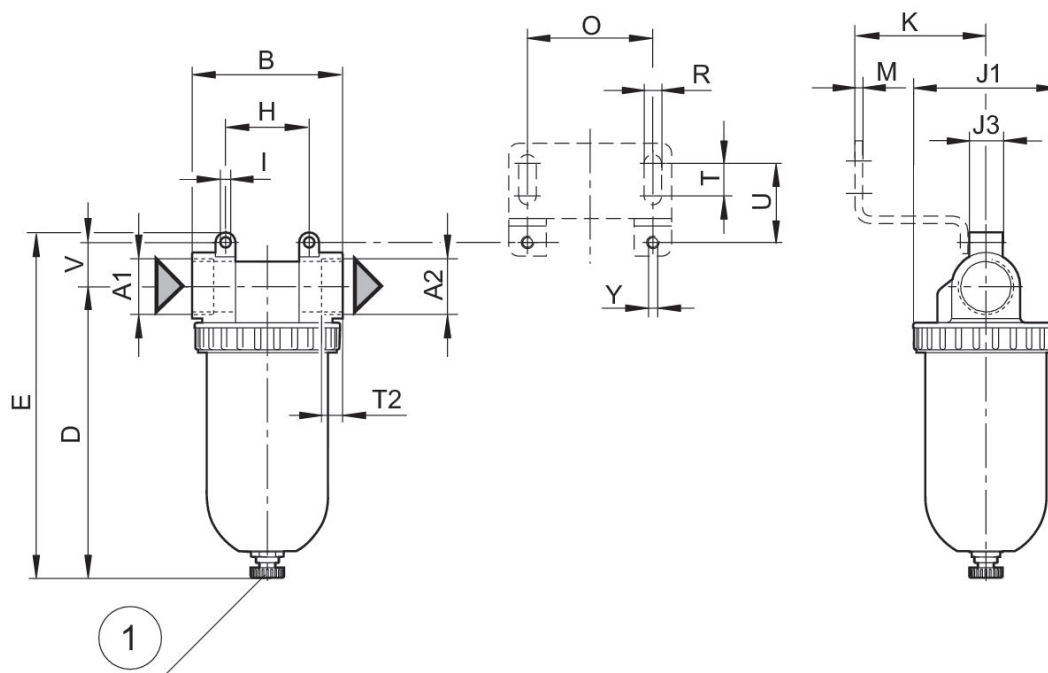
Filter, Series MU1-FLS

4000 l/min
Filter



Compressed air connection	Part No.
G 1	R412006562
G 1	R412006585

Dimensions



1) manual or semi-automatic condensate drain

Part No.	A1	A2	B	D ±5	E ±7	H	I	J1	J3	K
R412006562	G 1	G 1	90	174	206	50	6.2	87	20	55
R412006585	G 1	G 1	90	174	206	50	6.2	87	20	55

Part No.	M	O	R	T	T2	U	V	Y
R412006562	3	50	7	13	16	31.5	26.5	M6
R412006585	3	50	7	13	16	31.5	26.5	M6

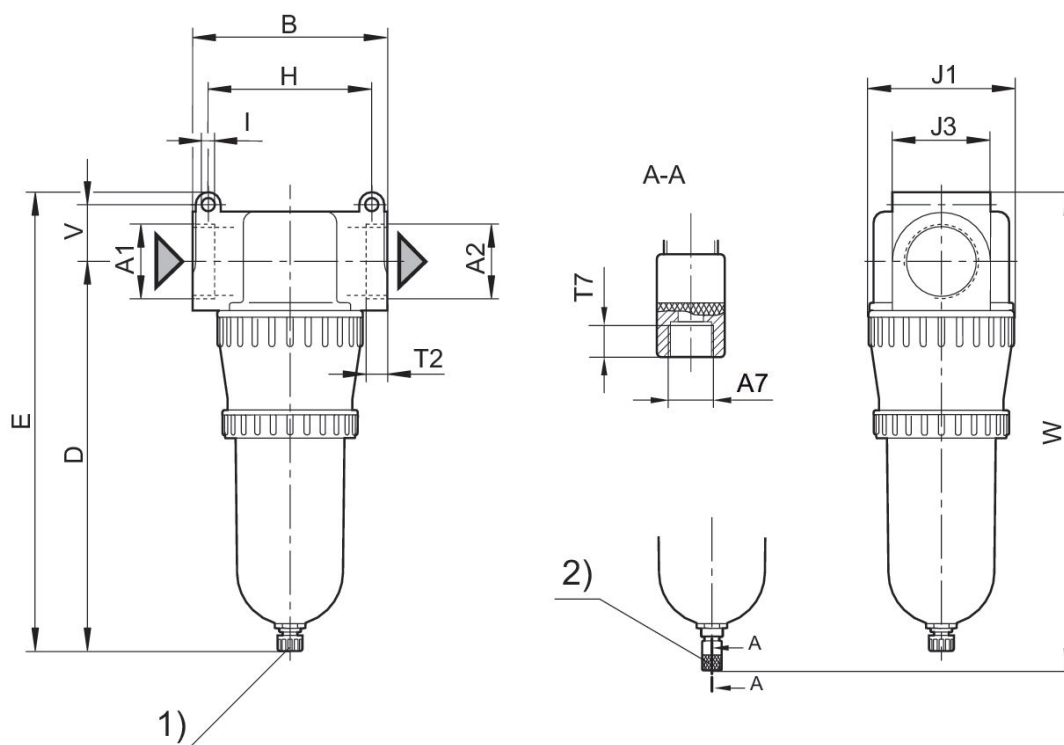
Filter, Series MU1-FLS

Filter



Compressed air connection	Part No.
G 1	R412007587
G 1	9155520220
G 1 1/4	R412007588
G 1 1/4	R412006583
G 1 1/4	R412006565
G 1 1/2	R412007599
G 1 1/2	R412006566

Dimensions



1) manual + semi-automatic condensate drain 2) fully automatic condensate drain

Part No.	A1	A2	A7	B ±7	D ±7	E ±7	H	I	J1	J3
R412007587	G 1	G 1	G 1/8	125	250	286.5	105	8.5	100	63
9155520220	G 1	G 1	G 1/8	125	250	286.5	105	8.5	100	63
R412007588	G 1 1/4	G 1 1/4	G 1/8	125	250	286.5	105	8.5	100	63
R412006583	G 1 1/4	G 1 1/4	G 1/8	125	250	286.5	105	8.5	100	63
R412006565	G 1 1/4	G 1 1/4	G 1/8	125	250	286.5	105	8.5	100	63
R412007599	G 1 1/2	G 1 1/2	G 1/8	125	250	286.5	105	8.5	100	63
R412006566	G 1 1/2	G 1 1/2	G 1/8	125	250	286.5	105	8.5	100	63

Part No.	T2	T7	V ±5	W ±7
R412007587	25	8.5	36.5	307
9155520220	25	8.5	36.5	307
R412007588	25	8.5	36.5	307
R412006583	25	8.5	36.5	307
R412006565	25	8.5	36.5	307
R412007599	25	8.5	36.5	307
R412006566	25	8.5	36.5	307

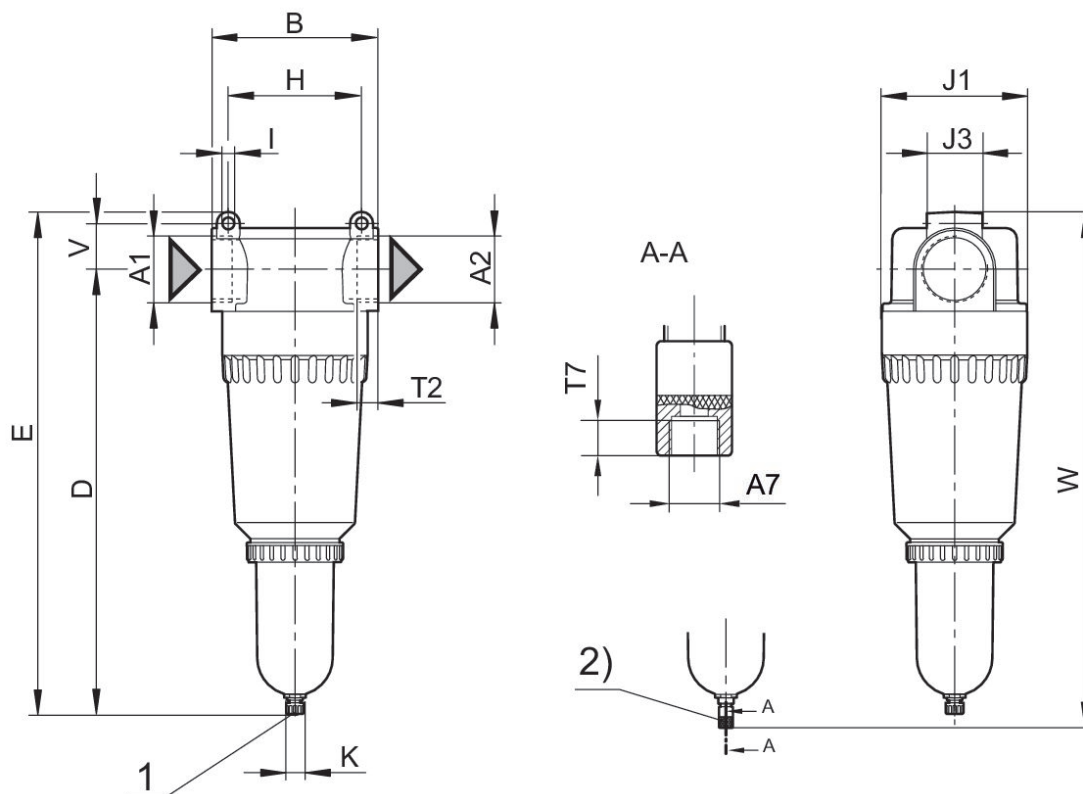
Filter, Series MU1-FLS

30000 l/min
Filter



Compressed air connection	Part No.
G 1 1/2	R412000667
G 2	R412006568
G 2	R412006570
G 2	R412006571

Dimensions



1) manual condensate drain 2) fully automatic condensate drain

Part No.	A1	A2	A7	B ±7	D ±7	E ±7	H	I	J1	J3
R412000667	G 1 1/2	G 1 1/2	G 1/8	150	383	424	120	10.5	131	50

Part No.	A1	A2	A7	B ±7	D ±7	E ±7	H	I	J1	J3
R412006568	G 2	G 2	G 1/8	150	400.5	452	120	10.5	131	50
R412006570	G 2	G 2	G 1/8	150	400.5	452	120	10.5	131	50
R412006571	G 2	G 2	G 1/8	150	400.5	452	120	10.5	131	50

Part No.	T2	T7	V ±5	W ±7						
R412000667	24	8.5	41	441.5						
R412006568	24	8.5	41	464.5						
R412006570	24	8.5	41	464.5						
R412006571	24	8.5	41	464.5						

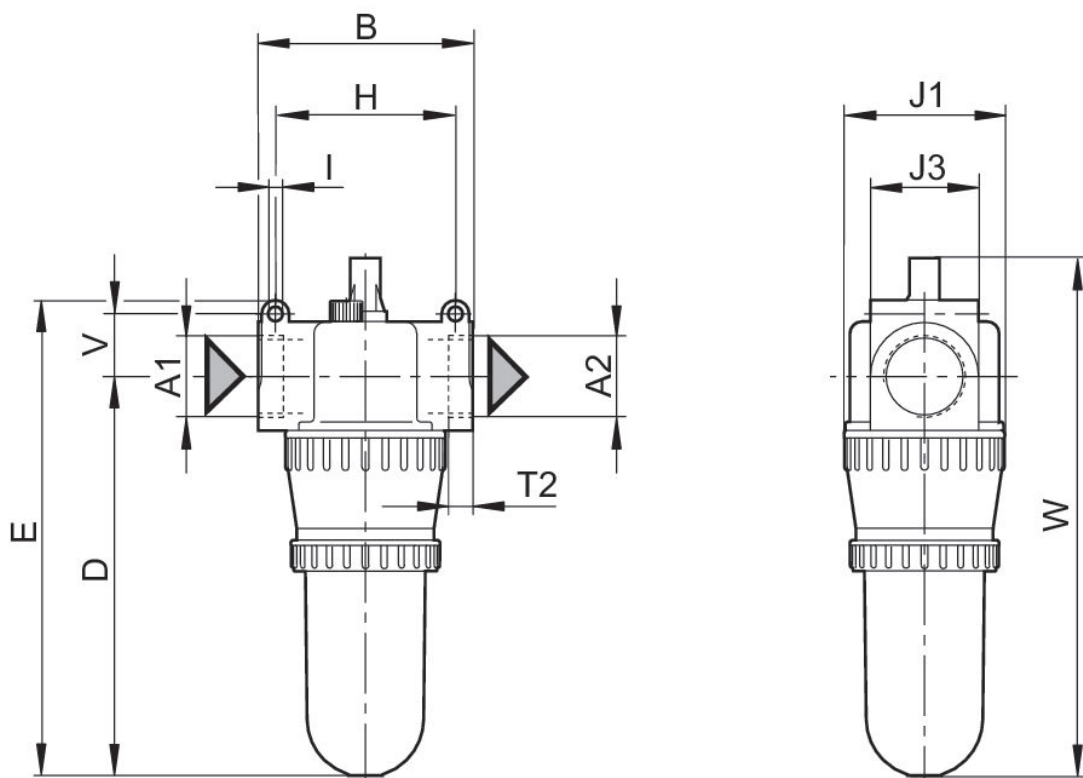
Standard oil-mist lubricator, Series MU1-LBS

9000 l/min
Lubricator



Compressed air connection	Part No.
G 1 1/4	R412006579
G 1 1/2	R412006580

Dimensions



Part No.	A1	A2	B ±7	D ±7	E ±7	H	I	J1	J3	T2
R412006579	G1 1/4	G1 1/4	125	232.5	278	105	8.5	100	63	25
R412006580	G1 1/2	G1 1/2	125	232.5	278	105	8.5	100	63	25

Part No.	V ±5	W ±7
R412006579	36.5	301.5
R412006580	36.5	301.5

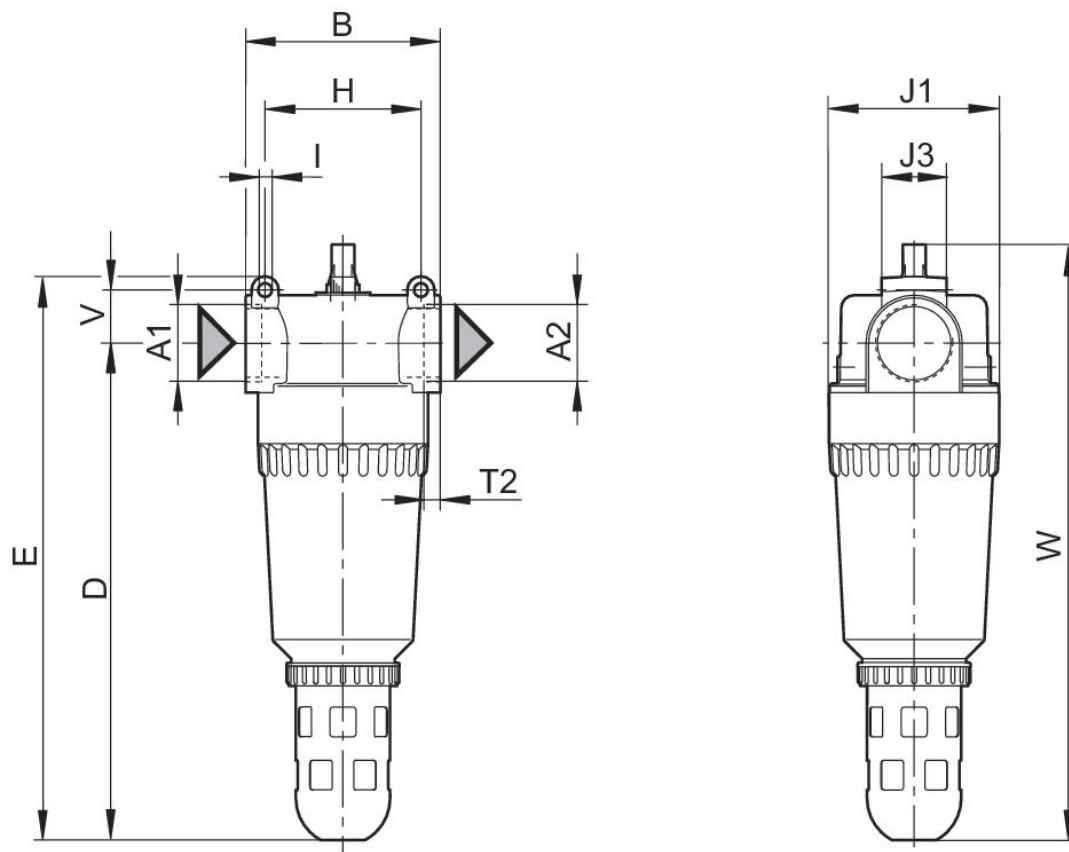
Standard oil-mist lubricator, Series MU1-LBS

25000 l/min
Lubricator



Compressed air connection	Part No.
G 2	R412006581

Dimensions



Part No.	A1	A2	B ±7	D ±7	E ±7	H	I	J1	J3	T2
R412006581	G 2	G 2	150	383	436	120	10.5	130	50	24

Part No.	V ±5	W ±7
R412006581	41	459

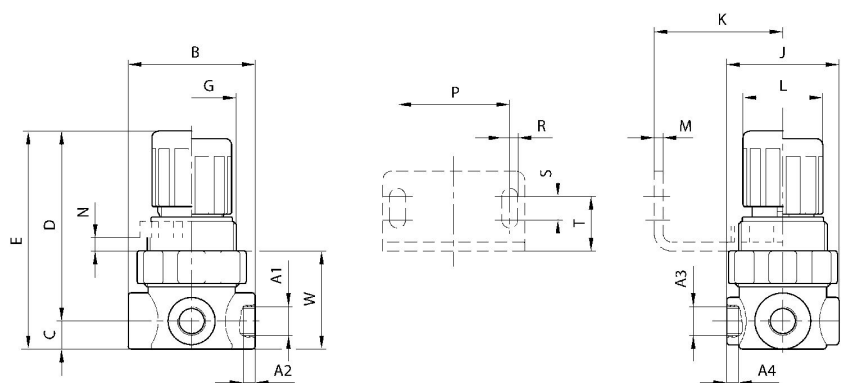
Pressure relief valve, Series MU1

300 l/min
Pressure relief valve



Compressed air connection	Part No.
G 1/8	0821302043
G 1/8	0821302044
G 1/8	0821302045
G 1/4	0821302046
G 1/4	0821302031
G 1/4	0821302047
G 1/4	R412007723

Dimensions



Part No.	A1	A2	A3	A4	B	C	D	E	G	J
0821302043	G1/8	8	G1/8	8	43	9.5	61	70.5	M30x1.5	38
0821302044	G1/8	8	G1/8	8	43	9.5	61	70.5	M30x1.5	38
0821302045	G1/8	8	G1/8	8	43	9.5	61	70.5	M30x1.5	38
0821302046	G1/4	8	G1/8	8	43	9.5	61	70.5	M30x1.5	38
0821302031	G1/4	8	G1/8	8	43	9.5	61	70.5	M30x1.5	38
0821302047	G1/4	8	G1/8	8	43	9.5	61	70.5	M30x1.5	38
R412007723	G1/4	8	G1/8	8	43	9.5	61	70.5	M30x1.5	38

Part No.	K	L	M	N	P	R	S	T	W
0821302043	40	27	3	5	38	5.4	8	18.5	33

Part No.	K	L	M	N	P	R	S	T	W
0821302044	40	27	3	5	38	5.4	8	18.5	33
0821302045	40	27	3	5	38	5.4	8	18.5	33
0821302046	40	27	3	5	38	5.4	8	18.5	33
0821302031	40	27	3	5	38	5.4	8	18.5	33
0821302047	40	27	3	5	38	5.4	8	18.5	33
R412007723	40	27	3	5	38	5.4	8	18.5	33

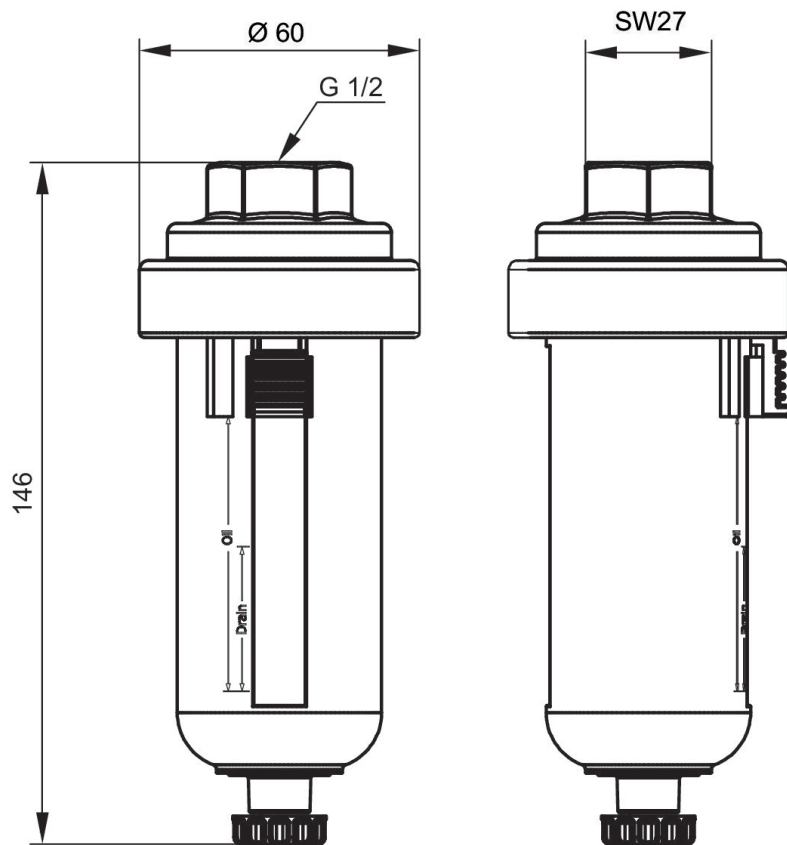
Condensate separator, Series MU1

Condensate separator



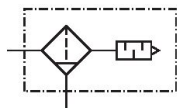
Compressed air connection	Part No.
G 1/2	R412010688
G 1/2	R412010689
G 1/2	R412010690

Dimensions



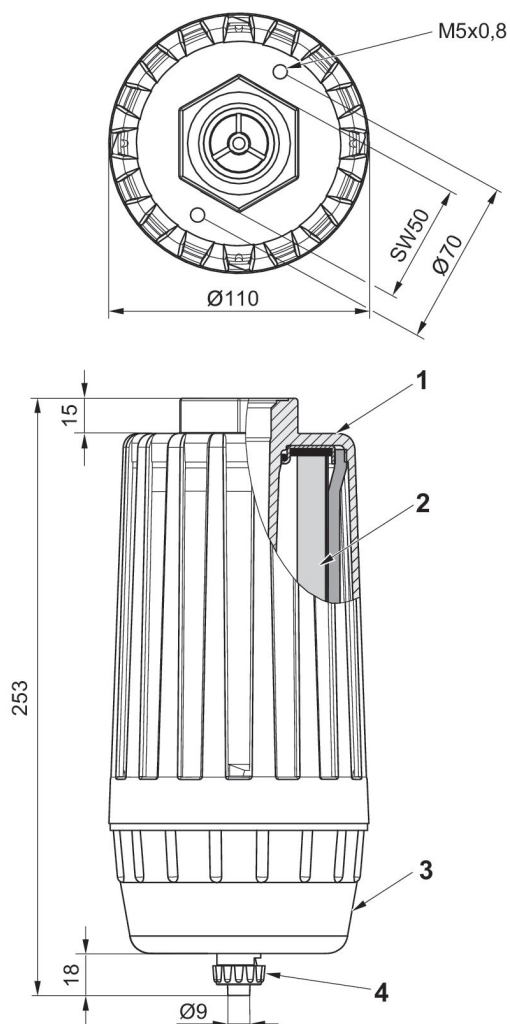
Oil separator, Series MU1

32000 l/min
Oil separator



Compressed air connection	Part No.
G 1	R412028130

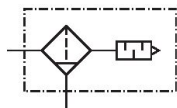
Dimensions in mm



- 1) Housing
- 2) microfilter element
- 3) PC reservoir
- 4) Drain valve

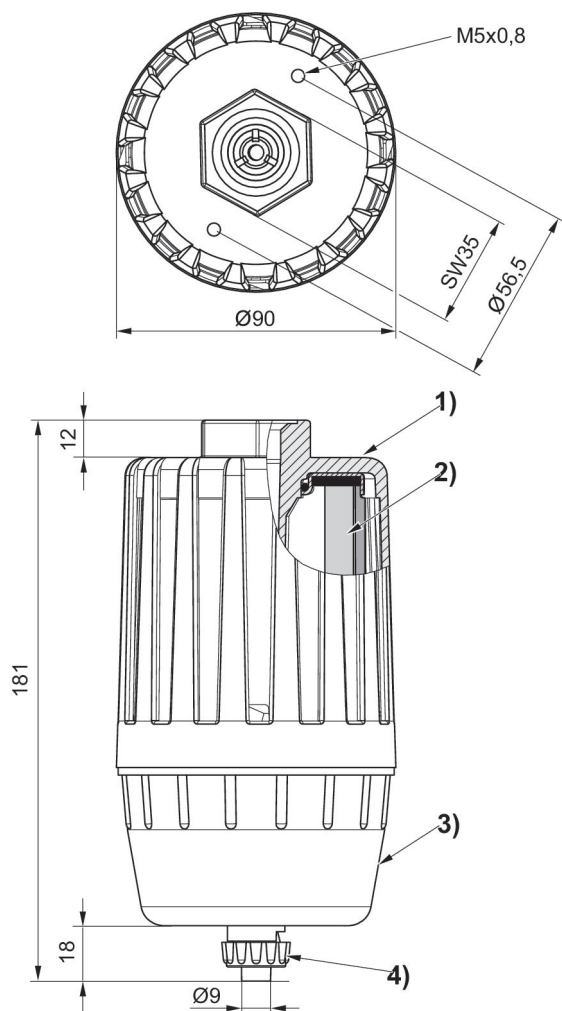
Oil separator, Series MU1

9000 l/min
Oil separator



Compressed air connection	Part No.
G 1/2	R412028128

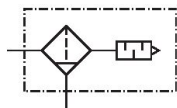
Dimensions in mm



- 1) Housing
- 2) microfilter element
- 3) PC reservoir
- 4) Drain valve

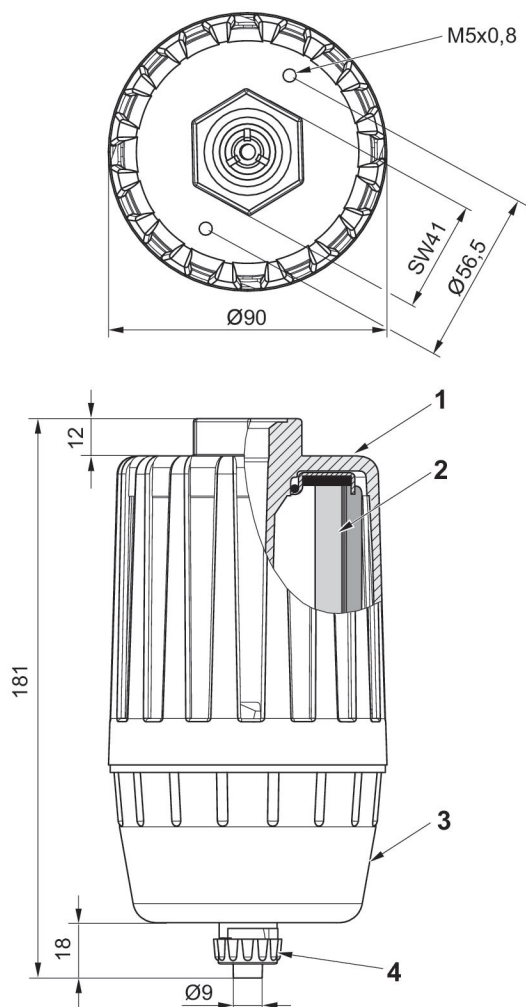
Oil separator, Series MU1

12000 l/min
Oil separator



Compressed air connection	Part No.
G 3/4	R412028129

Dimensions in mm



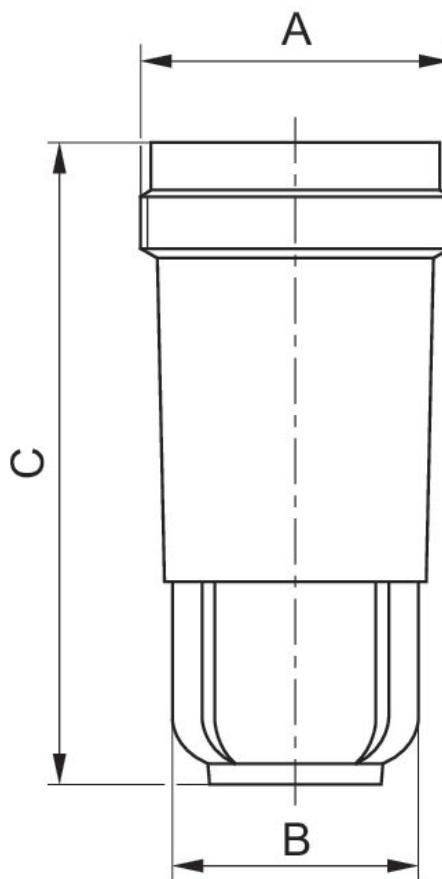
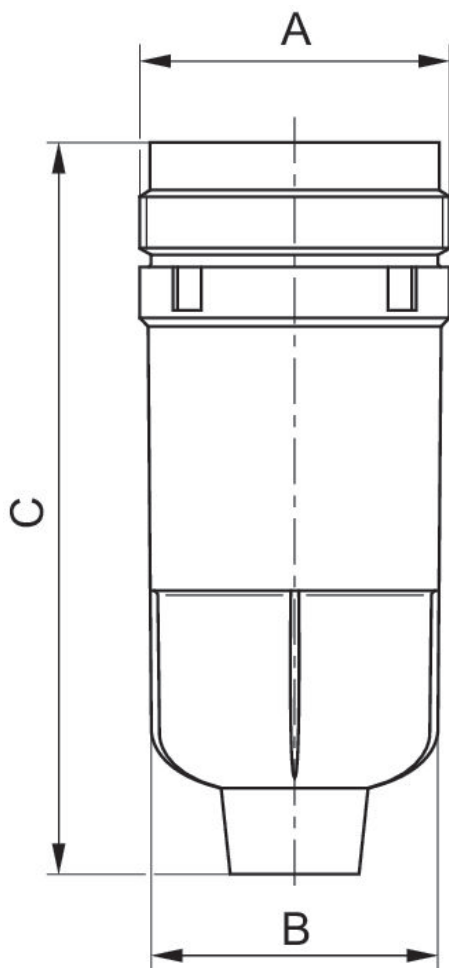
- 1) Housing
- 2) microfilter element
- 3) PC reservoir
- 4) Drain valve

Reservoir

Reservoir



Part No.
R412004881
R412004882



Part No.	A	B	C
R412004881	M36x1,5	34	85
R412004882	M36x1,5	33.5	71.5

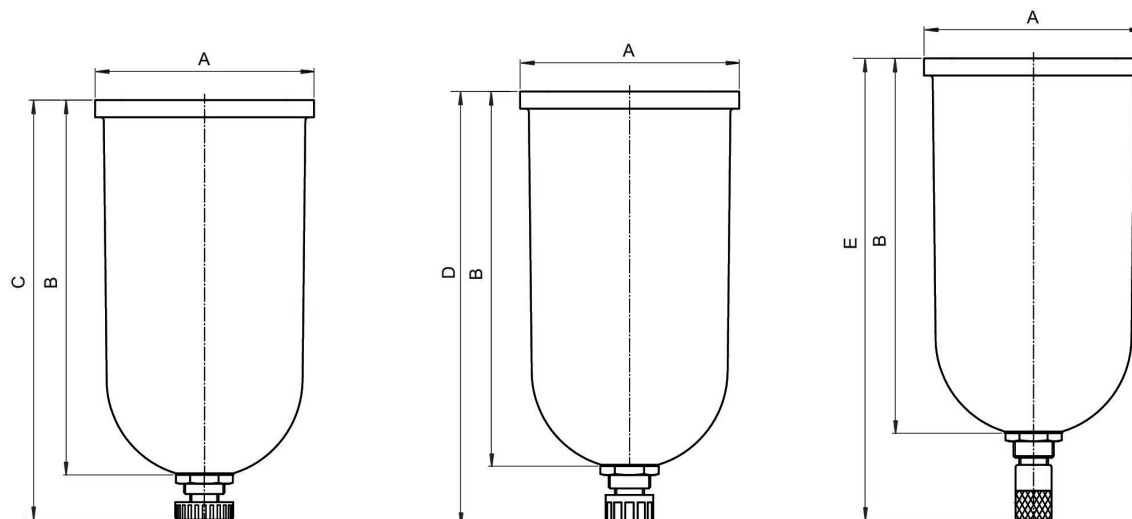
Reservoir, Series MU1

MU1
Reservoir



Part No.
R412004876
R412004877
R412004875

Dimensions

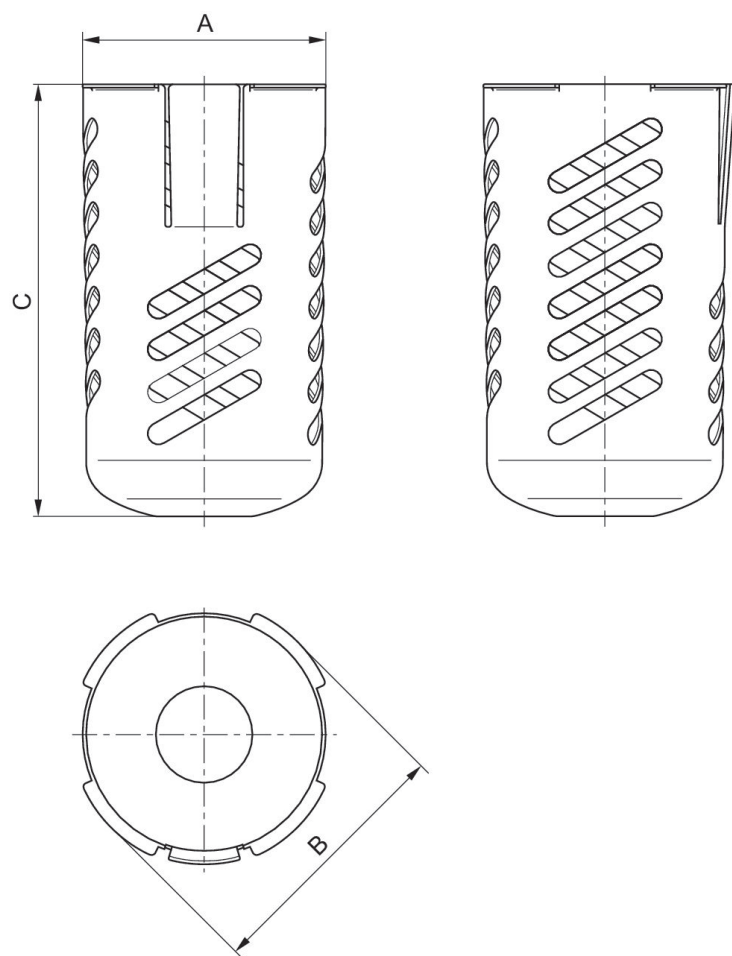


Part No.	ØA	B	C	D	E
R412004875	76	130	-		160
R412004876	76	130	-	149.7	
R412004877	76	130	145.3	-	

Protective guard for filter and lubricator



Part No.
R412004879



Part No.	Type	A	B	C
R412004879	MU1	38	43	86

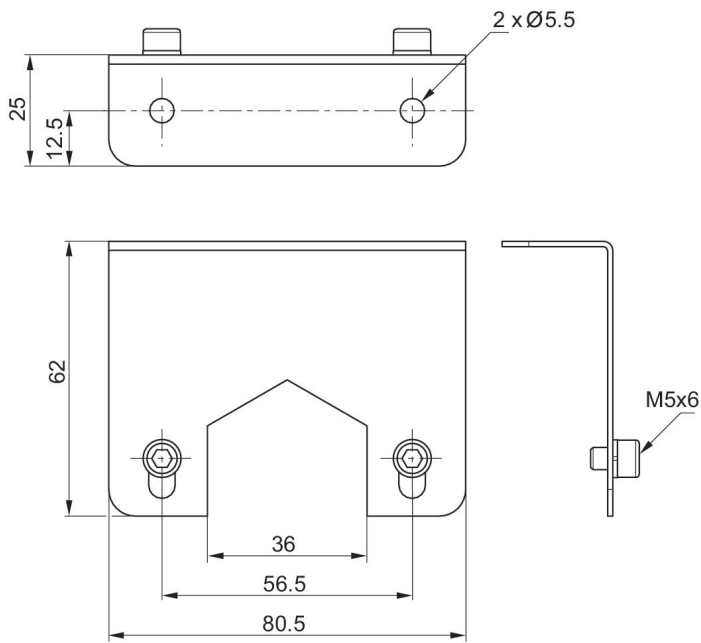
Mounting bracket, Series MU1-MBR-...-W02

MU1



Part No.
R412028134

Dimensions in mm



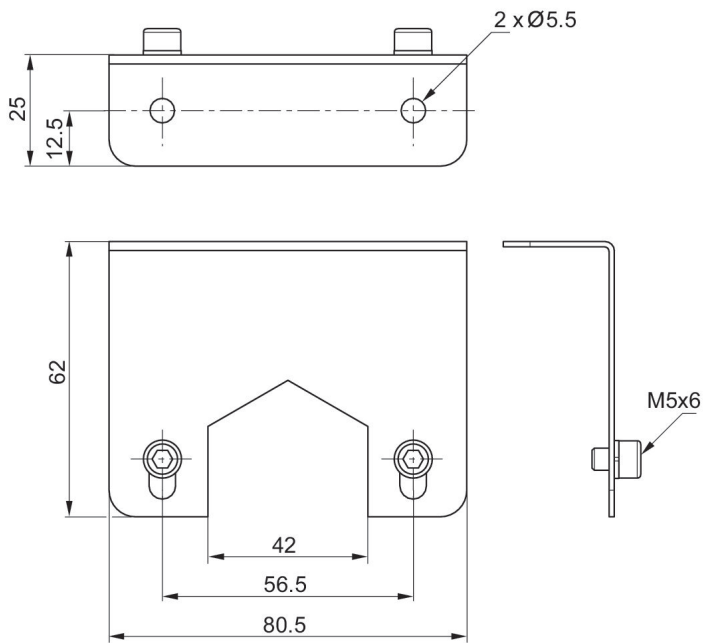
Mounting bracket, Series MU1-MBR-...-W02

MU1



Part No.
R412028148

Dimensions in mm



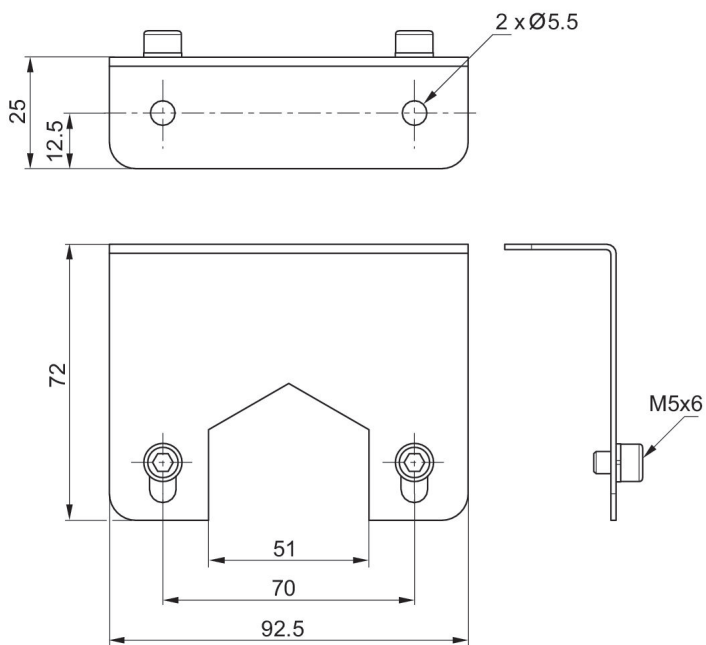
Mounting bracket, Series MU1-MBR-...-W02

MU1



Part No.
R412028149

Dimensions in mm

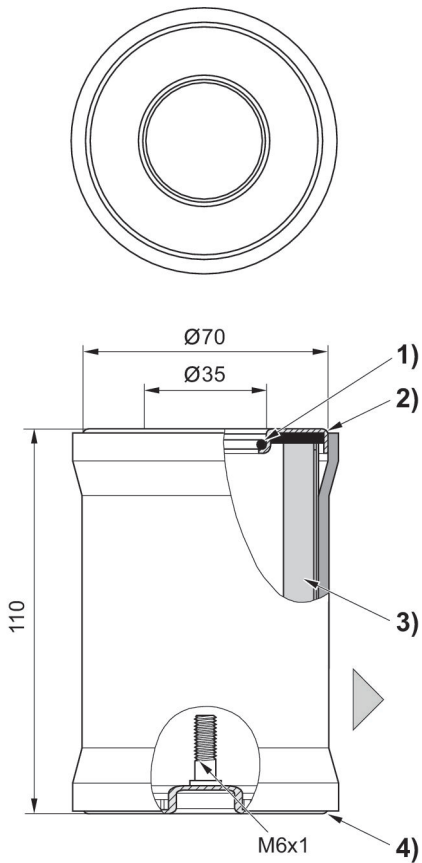


replacement filter



Part No.
R412028131

Dimensions in mm



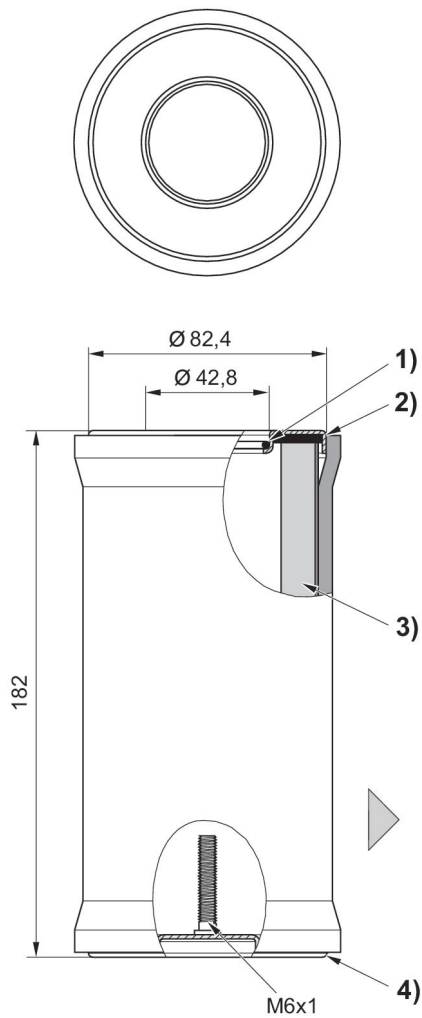
- 1) O-ring
- 2) Top end cap
- 3) microfilter element
- 4) Bottom end cap

replacement filter



Part No.
R412028132

Dimensions in mm



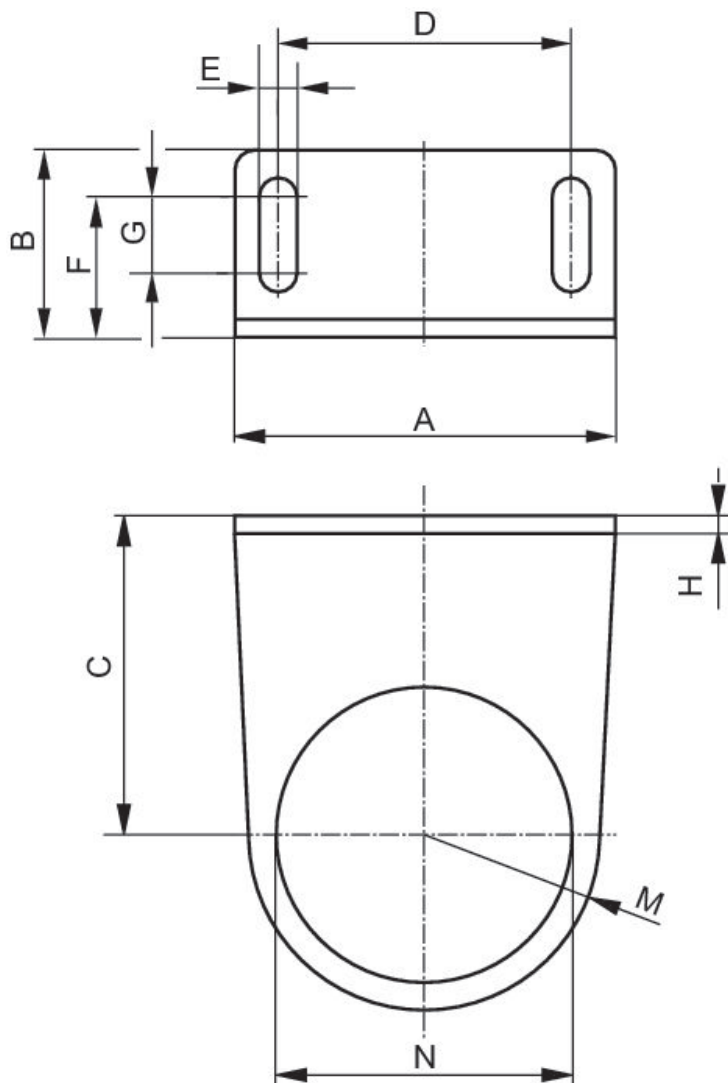
- 1) O-ring
- 2) Top end cap
- 3) microfilter element
- 4) Bottom end cap

Mounting bracket, Series NL1/NL2-MBR-...-W02



Part No.
1821331013

Dimensions

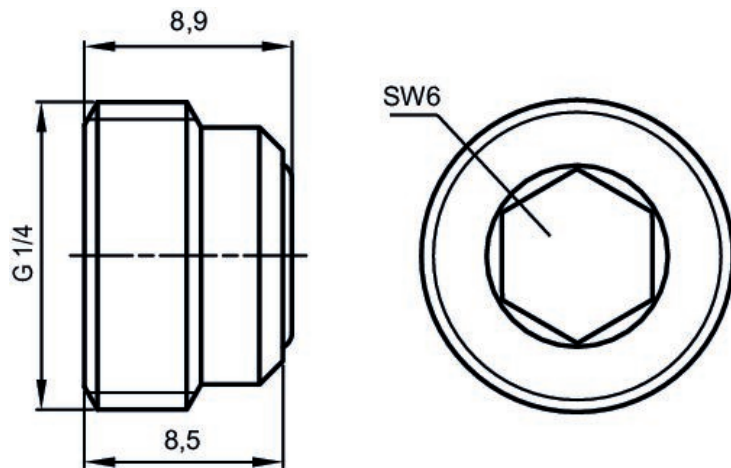


Part No.	A	B	C	D	E	F	G	H	M	N
1821331013	48	27	43.5	38	5.4	18.5	8	3	20	30.5

plugs



Type	Delivery unit [piece]	Part No.
plugs	10	R412010124

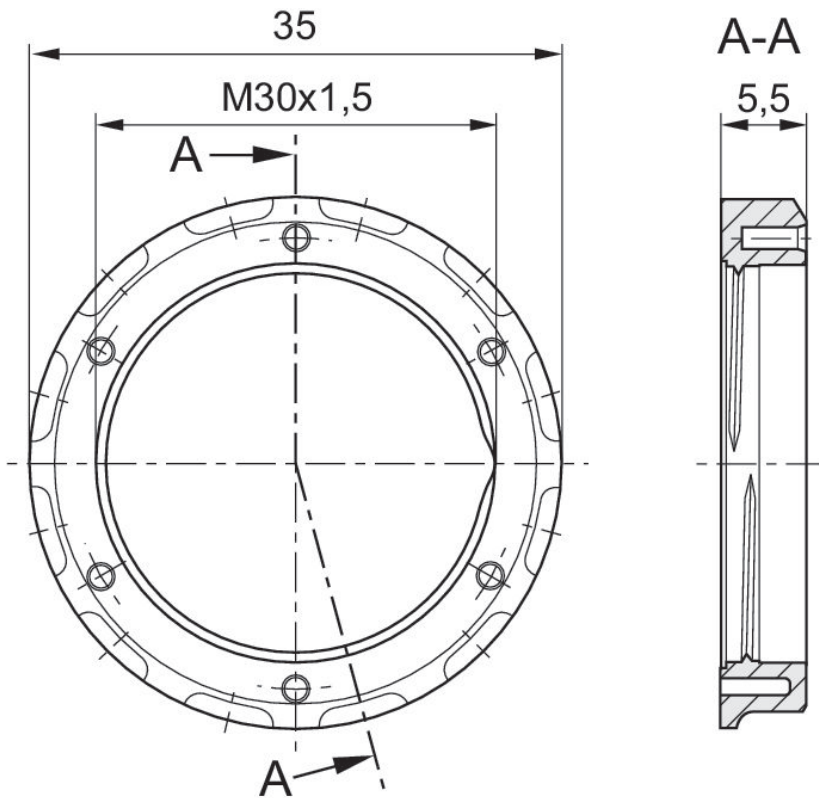


Panel nut, Series AS-MBR-...-W06



Compressed air connection	Part No.
M30x1,5	1829234070

Dimensions in mm



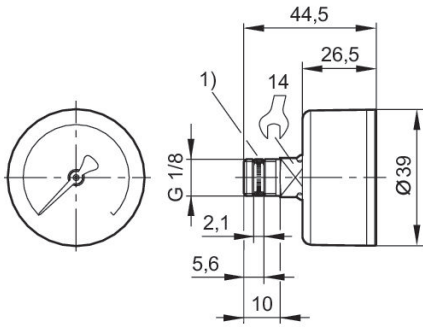
Pressure gauge, Series PG1-SAS

EN 837-1



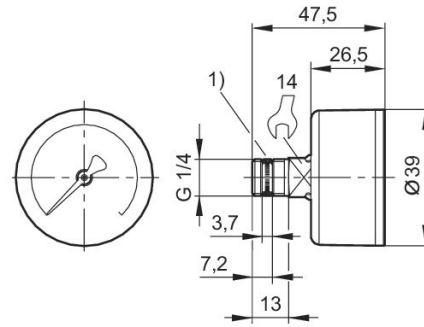
Compressed air connection	Part No.
G 1/8	R412003853
G 1/8	R412003854
G 1/8	R412003855
G 1/8	R412003856
G 1/8	R412003857
G 1/8	R412003858
G 1/4	R412004407
G 1/4	R412004408
G 1/4	R412004409
G 1/4	R412004410
G 1/4	R412004411
G 1/4	R412004412
G 1/4	R412004413
G 1/4	R412004414
G 1/4	R412004415
G 1/4	R412004416
G 1/4	R412004417
G 1/4	R412004418
G 1/4	R412007898
G 1/4	R412004419
G 1/4	R412004420
G 1/4	R412004421
G 1/4	R412004422
G 1/4	R412004423
G 1/4	R412004424

R412003853, R412003854, R412003855,
R412003856, R412003857, R412003858



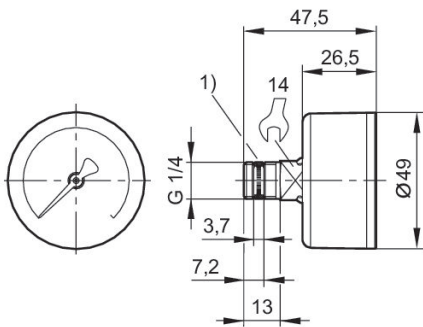
1) Gasket thread

R412004407, R412004408, R412004409,
R412004410, R412004411, R412004412



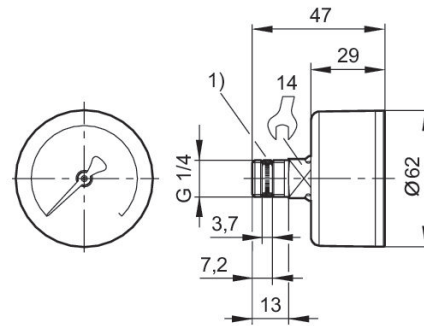
1) Gasket thread

R412004413, R412004414, R412004415,
R412004416, R412004417, R412004418,
R412007898



1) Gasket thread

R412004419, R412004420, R412004421,
R412004422, R412004423, R412004424



1) Gasket thread

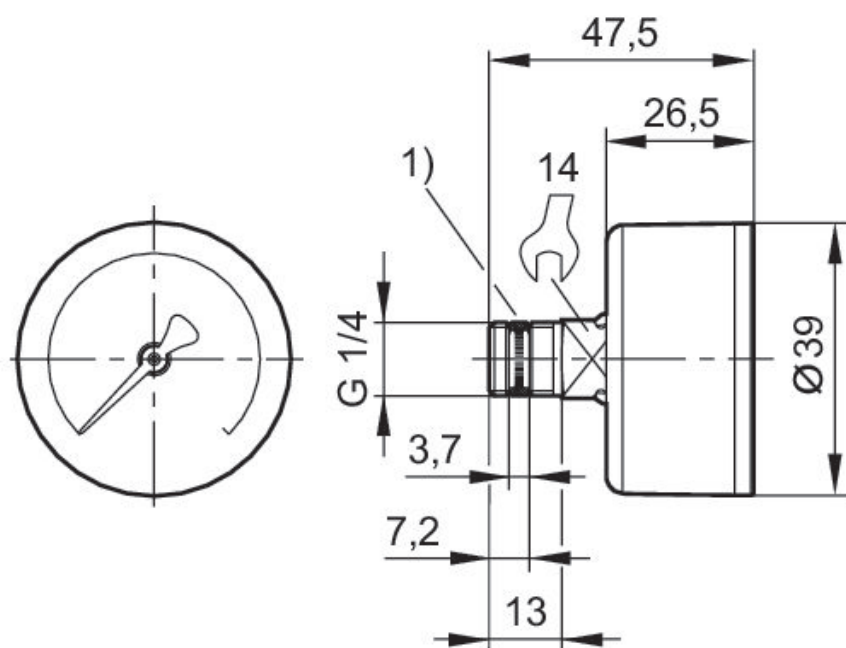
Pressure gauge, Series PG1-SAS-ADJ

EN 837-1



Compressed air connection	Part No.
G 1/4	R412007867
G 1/4	R412007868
G 1/4	R412007869
G 1/4	R412007870
G 1/4	R412007871
G 1/4	R412007872

Dimensions in mm



1) Gasket thread

Dimensions in mm

	Compressed air connection	Nominal diameter	Ø A	B	C	D	E	F	SW
R412007867	G 1/4	50	49	47.5	26.5	13	7.2	3.7	14
R412007868	G 1/4	50	49	47.5	26.5	13	7.2	3.7	14

	Compressed air connection	Nominal diameter	Ø A	B	C	D	E	F	SW
R412007869	G 1/4	50	49	47.5	26.5	13	7.2	3.7	14
R412007870	G 1/4	50	49	47.5	26.5	13	7.2	3.7	14
R412007871	G 1/4	50	49	47.5	26.5	13	7.2	3.7	14
R412007872	G 1/4	50	49	47.5	26.5	13	7.2	3.7	14

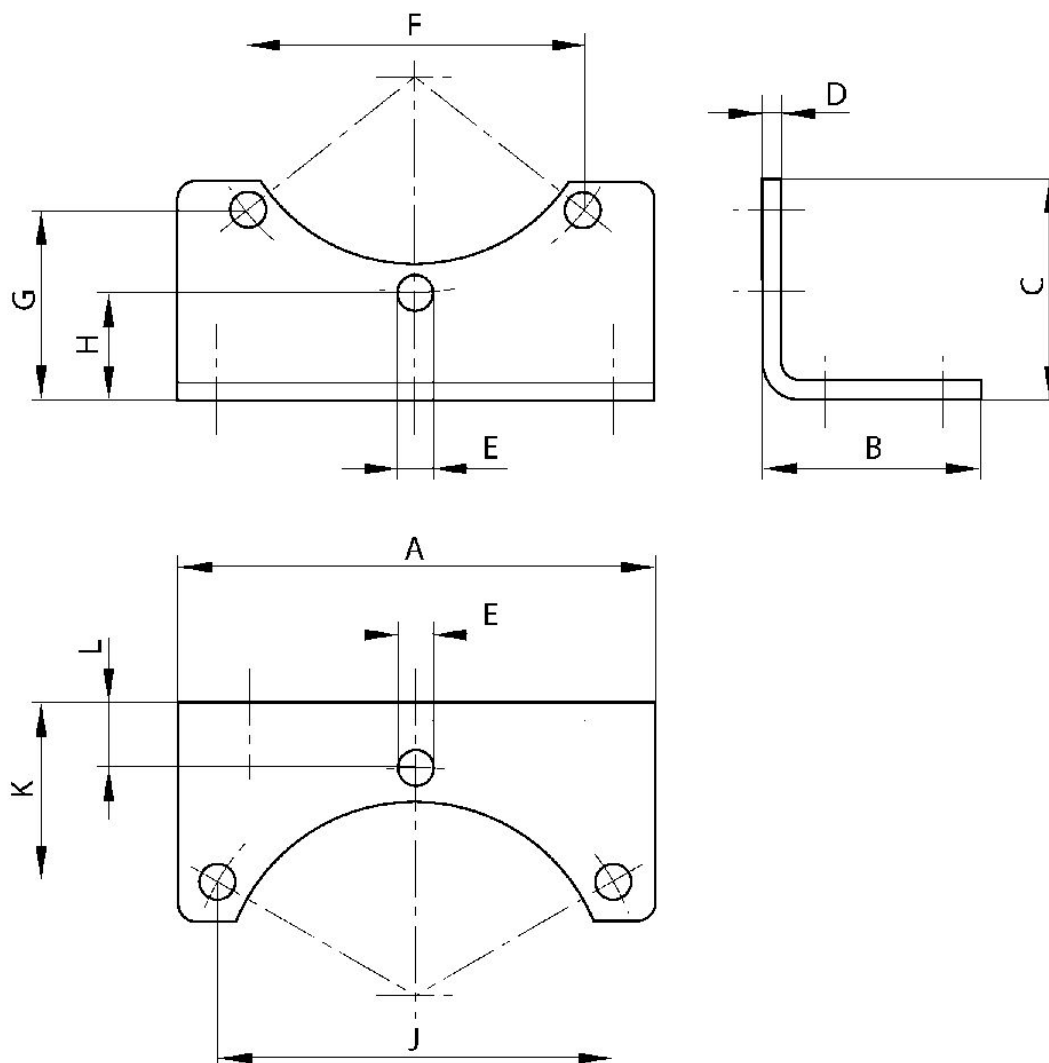
Mounting bracket, Series MU1/PR1-MBR-...-W02

MU1
PR1



Part No.
R412004872

Dimensions

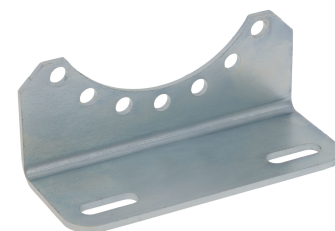


Part No.		A	B	C	D	E	F	G	H	J
R412004872	G1	76	35	35	3	5.5	53.6	30.1	17	63.2

Part No.	K	L
R412004872	28.8	10.5

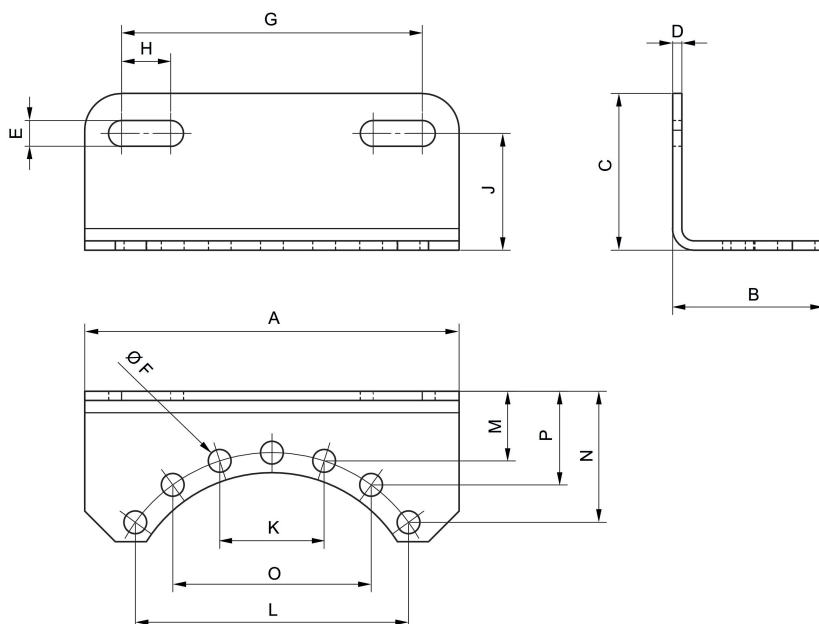
Mounting bracket, Series MU1-MBR-...-W02

MU1



Part No.
R412004873

Dimensions

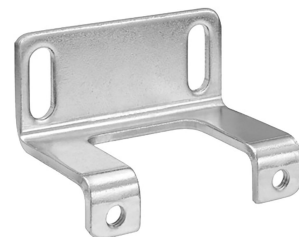


Part No.	A	B	C	D	E	F	G	H	J	K
R412004873	124	49	51	3	8,4	7,4	98	16	38	34

Part No.	L	M	N	O	P
R412004873	89	22,9	42,7	64,7	30,5

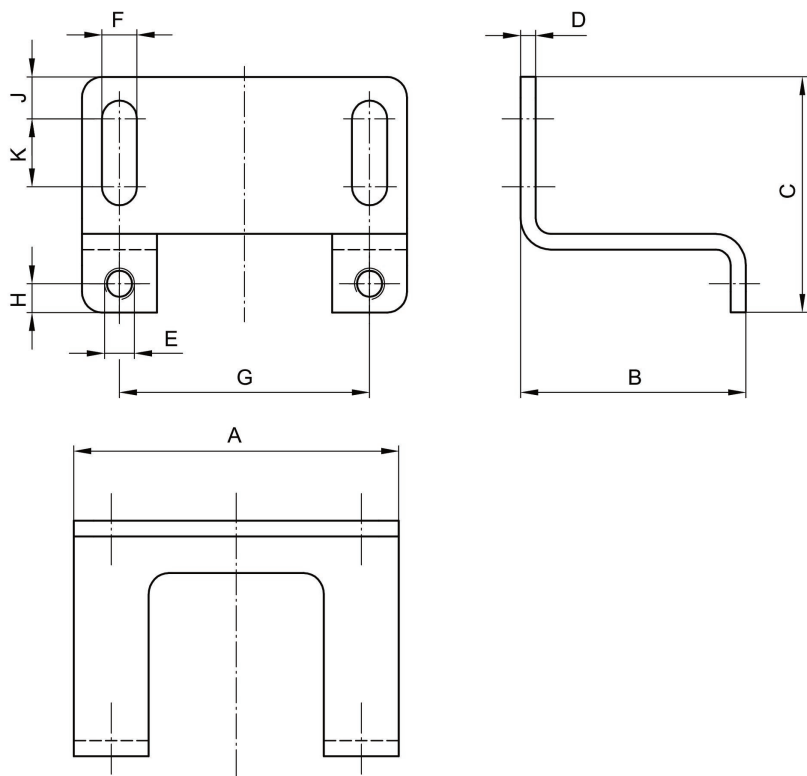
Mounting bracket, Series MU1-MBR-...-W02

MU1



Part No.
R412004874

Dimensions



Dimensions in mm

Part No.	A	B	C	D	E	F	G	H	J	K
R412004874	65	45	45	3	M6	7	50	5.5	8	13

Efficient pneumatic solutions, our program: cylinders and drives, valves and valve systems, air supply management



Visit us: [Emerson.com/Aventics](https://www.emerson.com/Aventics)

Your local contact: [Emerson.com/contactus](https://www.emerson.com/contactus)



[Emerson.com](https://www.emerson.com)



[Facebook.com/EmersonAutomationSolutions](https://www.facebook.com/EmersonAutomationSolutions)



[LinkedIn.com/company/Emerson-Automation-Solutions](https://www.linkedin.com/company/Emerson-Automation-Solutions)



[Twitter.com/EMR_Automation](https://twitter.com/EMR_Automation)

An example configuration is depicted on the title page. The delivered product may thus vary from that in the illustration. Subject to change. This Document, as well as the data, specifications and other information set forth in it, are the exclusive property of AVENTICS GmbH. It may not be reproduced or given to third parties without its consent. Only use the AVENTICS products shown in industrial applications. Read the product documentation completely and carefully before using the product. Observe the applicable regulations and laws of the respective country. When integrating the product into applications, note the system manufacturer's specifications for safe use of the product. The data specified only serve to describe the product. No statements concerning a certain condition or suitability for a certain application can be derived from our information. The information given does not release the user from the obligation of own judgment and verification. It must be remembered that the products are subject to a natural process of wear and aging.

The Emerson logo is a trademark and service mark of Emerson Electric Co. Brand logotype are registered trademarks of one of the Emerson family of companies. All other marks are the property of their respective owners. © 2019 Emerson Electric Co. All rights reserved.



CONSIDER IT SOLVED™