

ASCO™ Gas Shutoff Valves

General Purpose Enclosure | 3/4" - 3" NPT

2/2
SERIES
8042

Features

- 2-way normally closed operation
- Die-cast aluminum bodies
- Zero differential piloted diaphragm
- For on-off control of fuel gas in commercial and industrial gas burners
- Valves provided with 1/8" NPT upstream and downstream pipe taps with plugs for routine testing
- 5 lb. closing spring for high force shut-off



Fluid

Fuel Gas

Construction

Valve Parts in Contact with Fluids	
Body	Aluminum
Seals and Disc	NBR
Core Tube	305 Stainless Steel
Core and Plugnut	430F Stainless Steel
Springs	302F Stainless Steel
Shading Coil	Copper
Pipe Plug	Zinc-Plated Steel

Electrical

Standard Coil and Class of Insulation	Watt Rating and Power Consumption			Ambient Temp. °F	Spare Coil Family	
	AC				General Purpose	Explosionproof
	Watts	VA Holding	VA Inrush		AC	AC
H	59.5	122	600	32 to 104	224195	-
H	66	160	936	32 to 104	224195	-

Standard Voltages: 120, 240 volts AC, 60 Hz.

Solenoid Enclosures

RedHat metal Type 1 General Purpose housing with 7/8" knock-out for 1/2" conduit connection.

Valve Response Time

Opening Time: Less than 1 second

Closing Time: Less than 1 second

Approvals

UL listed to standard 429 "Electrically Operated Valves," Guide Y10Z, File MP618, Safety Valves.

FM Approved to Class 7400 "Liquid and Gas Safety Shutoff Valves" (3/4" only).

CSA Certified to:

1) Standard C22.2 No 139 "Electrically Operated Valves," File 010381.

2) Automatic Gas Valves ANSI Z21.21, CSA 6.5 C/I Safety Shutoff, File 112872.

COMBUSTION

Specifications (English units)

Pipe Size (in)	Orifice Size in (mm)	Flow Factor Cv (Kv)	Gas Capacity ①		Operating Pressure Differential psi (bar)		Max. Fluid Temp. °F (°C)	Catalog Number	Const. Ref.	Agency			Wattage
			Btu/hr.		Min.	Max.				UL	FM	CSA	
COMBUSTION (Fuel Gas) - NORMALLY CLOSED													
3/4	1 5/8 (41)	12.2 (10.4)	650,000		0	20 (1.4)	104 (40)	8042D035	1	○	○	○	59.5
1	1 5/8 (41)	24 (20.4)	1,290,000		0	20 (1.4)	104 (40)	8042C045	2	○	-	○	59.5
1 1/4	1 5/8 (41)	35 (29.8)	1,900,000		0	20 (1.4)	104 (40)	8042C055	2	○	-	○	59.5
1 1/2	1 5/8 (41)	40 (34.0)	2,145,000		0	20 (1.4)	104 (40)	8042C065	2	○	-	○	59.5
2	2 3/32 (53)	60 (51.0)	3,241,000		0	20 (1.4)	104 (40)	8042C075	3	○	-	○	59.5
2 1/2	3 (76)	120 (102.0)	6,467,500		0	5 (0.3)	104 (40)	8042C085	4	○	-	○	66.0
3	3 (76)	130 (110.5)	7,002,500		0	5 (0.3)	104 (40)	8042C095	4	○	-	○	66.0

○ = Safety Shutoff Valve. ① 1" W.C. Drop @ 2" W.C. Inlet Pressure, 1,000 Btu/cu.ft. or more, 0.64 Specific Gravity Gas.

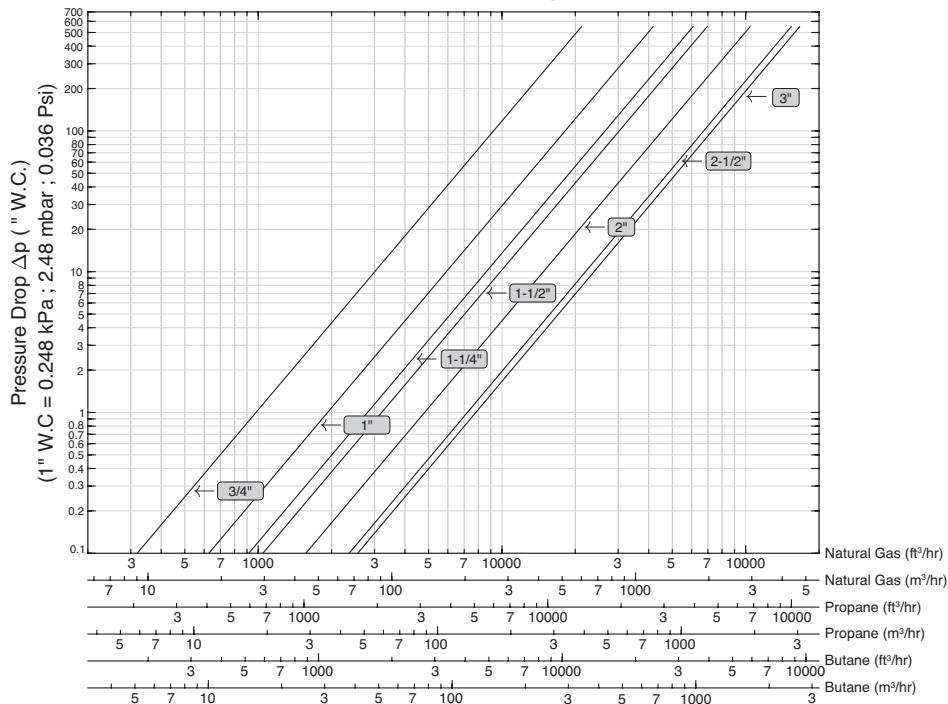
Capabilities Chart

Solenoid Options		Resilient Materials		Base Catalog Number		Standard Rebuild Kit	
Rainproof	Junction Box	NBR		Aluminum		AC	
R	JB	●		8042D035		304081	
R	JB	●		8042C045		304081	
R	JB	●		8042C055		304081	
R	JB	●		8042C065		304081	
R	JB	●		8042C075		304082	
R	JB	●		8042C085		304083	
R	JB	●		8042C095		304083	

● = Standard. Other options may be available. All option combinations may not be available.

Gas Flow Chart

8042 N.C General Purpose



Note: Flow curves are based on the following standard conditions: 5 psi (0.3 bar) inlet pressure and 68°F (20°C) fluid temperature.

COMBUSTION

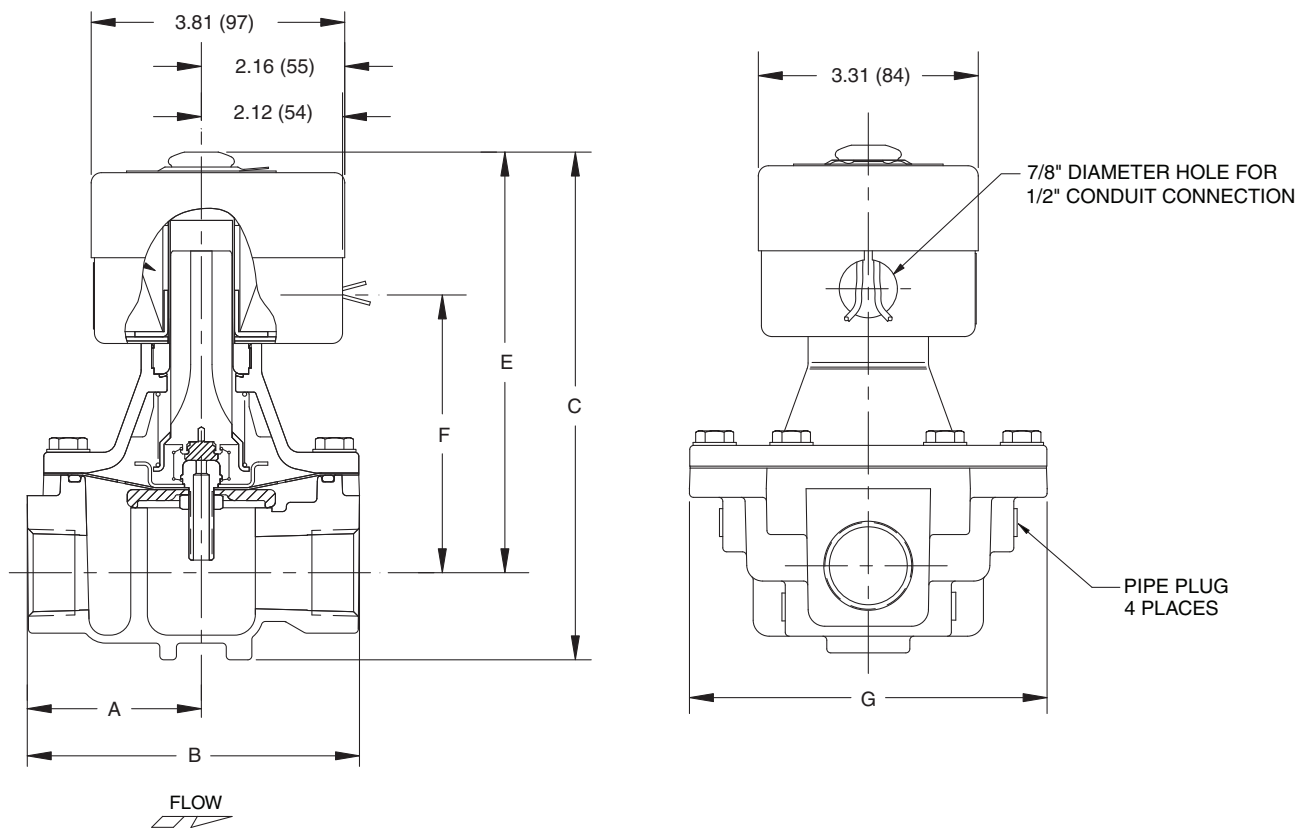
ASCO™ Gas Shutoff Valves

General Purpose Enclosure | 3/4" - 3" NPT

2/2
SERIES
8042

Dimensions inches (mm)

Const. Ref.		A	B	C	E	F	G
1	in	2.62	5.00	7.66	6.34	4.19	5.38
	mm	67	127	195	161	106	137
2	in	2.62	5.00	7.66	6.39	4.25	5.38
	mm	67	127	195	162	108	137
3	in	3.28	6.09	8.36	6.86	4.72	6.32
	mm	83	155	212	174	120	161
4	in	3.89	7.80	10.22	7.89	5.75	7.99
	mm	99	198	260	200	146	203



Must be mounted with solenoid vertical and upright.

COMBUSTION

