

ROTAIR series valve block



AVENTICS™ ROTAIR series valve block



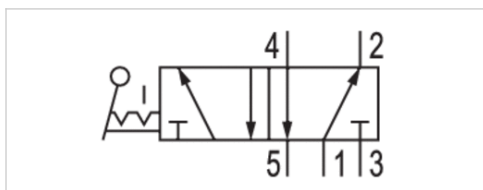
5/2-directional valve, Series Rotair®

- Qn = 1082.4 l/min

- Compressed air connection output 1/8 NPT 1/4 NPT 3/8 NPT



Type	Poppet valve
Activation	Mechanical
Sealing principle	Soft sealing
Nominal flow Qn	1082.4 l/min
Working pressure min./max.	0 ... 10 bar
Ambient temperature min./max.	-25 ... 80 °C
Medium temperature min./max.	-25 ... 80 °C
Medium	Compressed air
Max. particle size	50 µm
Oil content of compressed air	0 ... 5 mg/m ³
Weight	0.73 kg



Technical data

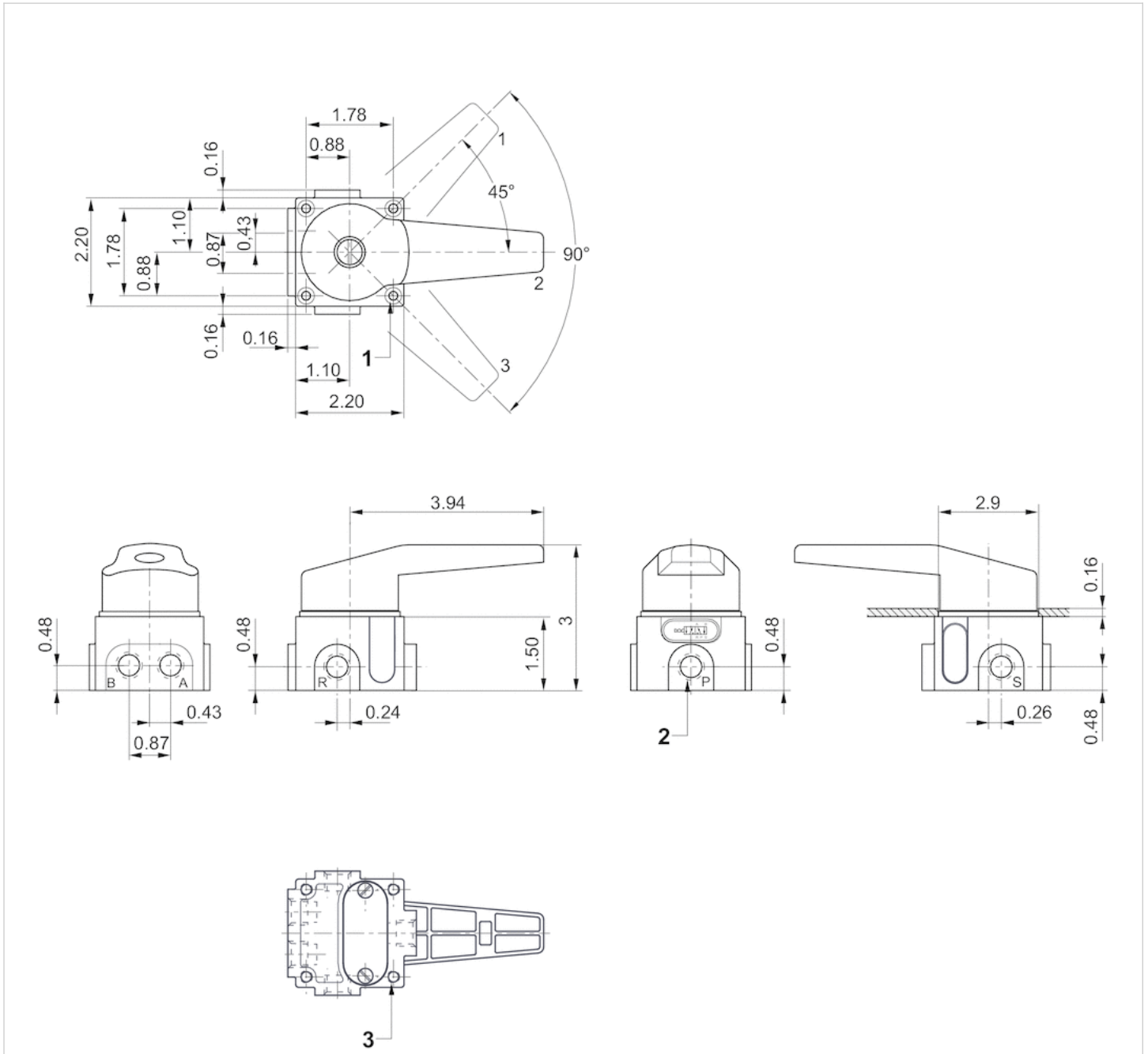
Part No.	Compressed air connection Input	Compressed air connection Output	Compressed air connection Exhaust
R432013830	1/8 NPT	1/8 NPT	1/8 NPT
R432013831	1/4 NPT	1/4 NPT	1/4 NPT
R432013832	3/8 NPT	3/8 NPT	3/8 NPT

Technical information

Material	
Housing	Die cast zinc
Seals	Buna-N

Dimensions

Dimensions in inches



- 1) .31" external diameter X (.145" deep) .18" internal thread X (1.35 deep) = 1.5" through
- 2) Connections [1 ,3 ,5, 2, 4]
- 3) 1/4" - 20 UNC-2B X .38" deep

5/3-directional valve, Series Rotair®





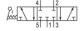
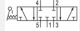
- Qn = 1082.4-1180.8 l/min

- Compressed air connection output 1/8 NPT 1/4 NPT 3/8 NPT



Type	Poppet valve
Activation	Mechanical
Sealing principle	Soft sealing
Ambient temperature min./max.	-25 ... 10 °C
Medium temperature min./max.	-25 ... 10 °C
Medium	Compressed air
Weight	0.73 kg

Technical data

Part No.		Compressed air connection Input	Compressed air connection Output	Compressed air connection Exhaust
R432013833		1/8 NPT	1/8 NPT	1/8 NPT
R432013834		1/4 NPT	1/4 NPT	1/4 NPT
R432013835		3/8 NPT	3/8 NPT	3/8 NPT
R432013836		1/8 NPT	1/8 NPT	1/8 NPT
R432013837		1/4 NPT	1/4 NPT	1/4 NPT
R432013838		3/8 NPT	3/8 NPT	3/8 NPT

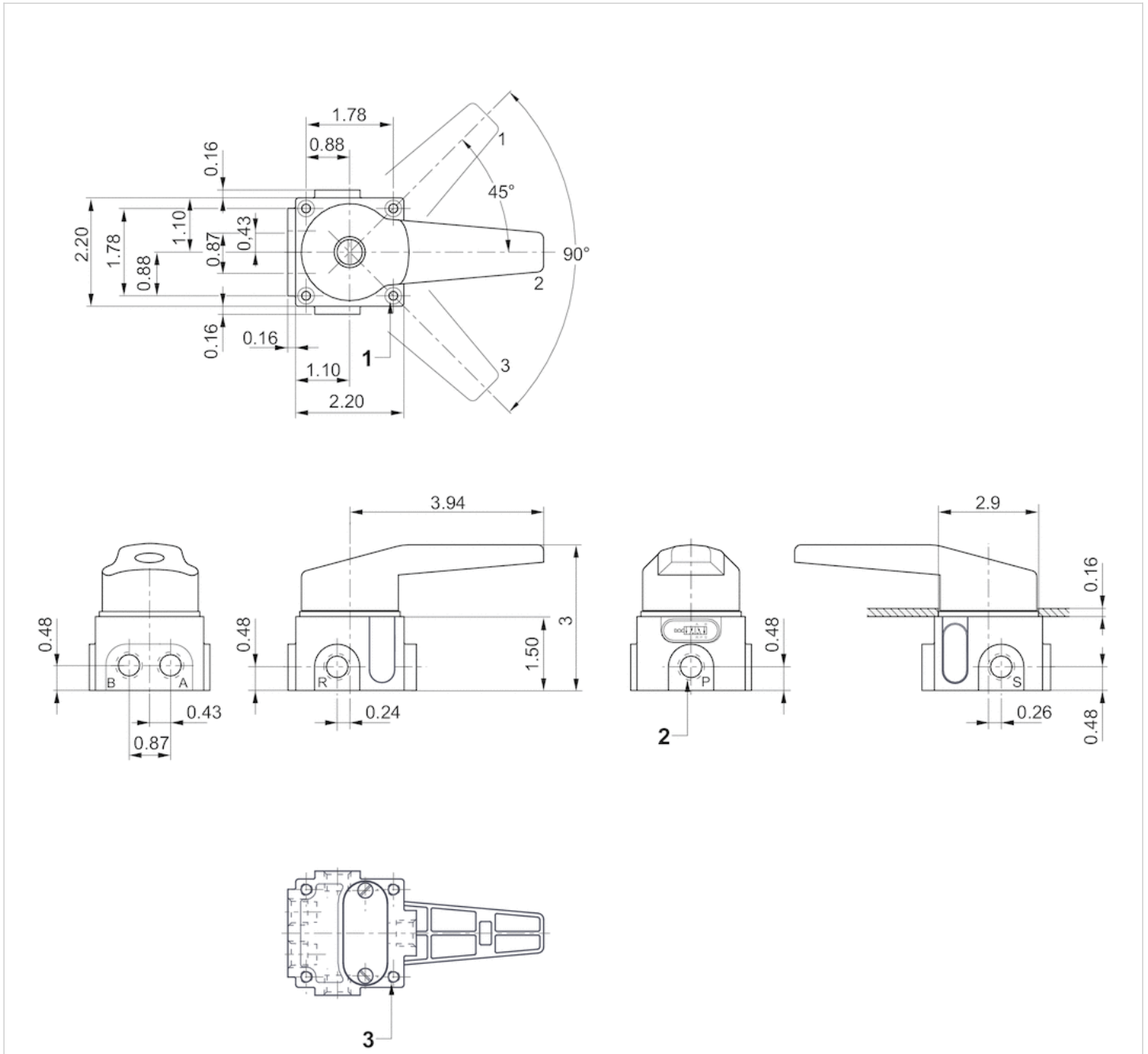
Part No.	Flow rate value
	Qn
R432013833	1082.4 l/min
R432013834	1082.4 l/min
R432013835	1180.8 l/min
R432013836	1082.4 l/min
R432013837	1082.4 l/min
R432013838	1180.8 l/min

Technical information

Material	
Housing	Die cast zinc
Seals	Buna-N

Dimensions

Dimensions in inches



- 1) .31" external diameter X (.145" deep) .18" internal thread X (1.35 deep) = 1.5" through
- 2) Connections [1 ,3 ,5, 2, 4]
- 3) 1/4" - 20 UNC-2B X .38" deep

Efficient pneumatic solutions, our program: cylinders and drives, valves and valve systems, air supply management



Visit us: [Emerson.com/Aventics](https://www.emerson.com/Aventics)

Your local contact: [Emerson.com/contactus](https://www.emerson.com/contactus)



Emerson.com



[Facebook.com/EmersonAutomationSolutions](https://www.facebook.com/EmersonAutomationSolutions)



[LinkedIn.com/company/Emerson-Automation-Solutions](https://www.linkedin.com/company/Emerson-Automation-Solutions)



[Twitter.com/EMR_Automation](https://twitter.com/EMR_Automation)

An example configuration is depicted on the title page. The delivered product may thus vary from that in the illustration. Subject to change. This Document, as well as the data, specifications and other information set forth in it, are the exclusive property of AVENTICS GmbH. It may not be reproduced or given to third parties without its consent. Only use the AVENTICS products shown in industrial applications. Read the product documentation completely and carefully before using the product. Observe the applicable regulations and laws of the respective country. When integrating the product into applications, note the system manufacturer's specifications for safe use of the product. The data specified only serve to describe the product. No statements concerning a certain condition or suitability for a certain application can be derived from our information. The information given does not release the user from the obligation of own judgement and verification. It must be remembered that the products are subject to a natural process of wear and aging.

The Emerson logo is a trademark and service mark of Emerson Electric Co. Brand logotype are registered trademarks of one of the Emerson family of companies. All other marks are the property of their respective owners. © 2020 Emerson Electric Co. All rights reserved.
2020-12



CONSIDER IT SOLVED™