



Description & Features:

- Integrated temperature transmitter with ASIC signalling transmitter
- Explosion proof smart temperature transmitter for hazardous locations
- -50 to 400°C (-58/752°F) measure range
- 0.5% accuracy
- Simple to operate 3-push button control
- HART or Modbus communications available
- Low power option available
- Re-zero function for safe field calibration
- 10:1 rangeability allows for installation in any application
- 5 Year Warranty

Applications:

- TY52 can be utilized and installed anywhere where temperature measurement is required. From Oil & Gas installations to Power Generation, this product has a rugged design and is equipped with the communication protocols to meet all your day to day requirements

Specifications	
Output Signal	4/20 mA, 2-wire / V = 10-30 Vdc 4/20 mA + HART, 2-wire / V = 10.5/16.5-30 Vdc 1/5 Vdc, 3-wire / V = 12-30 Vdc Modbus, 4-wire / V = 5/9-30 Vdc
Sensor Type	PT100 RTD
Measuring Range	-50/400°C (-58/752°F)
LCD Display	LCD display (standard) or without LCD display (optional)
Accuracy	0.5% accuracy
Stability	0.05% or 0.1°C / year
Temperature Ranges	Working: -40/85°C, -40/185°F (LCD may not be readable at temperatures below -20°C/ -4°F) Storage: -40/100°C (with display -20/70°C), -40/212°F (without display -4/158°F)
Working Humidity	0-95%
Pressure Connection	1/2" NPTM, 1/2 GM or Flanged
Housing	Rugged die-cast aluminum housing, painted blue
Wetted Parts	316 SS, 304 SS
Power Consumption	</- 500 mW @ 24 VDC, 20.8 mA
Vibration	4g, 2...100Hz According to IEC 60068-2-6
Available Temperature Units	Celsius (°C), Fahrenheit (°F)
Protection Class	EMI, ESD, RFI, reverse polarity protected; Surge protection IEC1000-4-5
Approval	Intertek for USA & Canada • Class I, Division 2, Groups A, B, C & D, T6, -40°C to 60°C
Protection Class	IP67

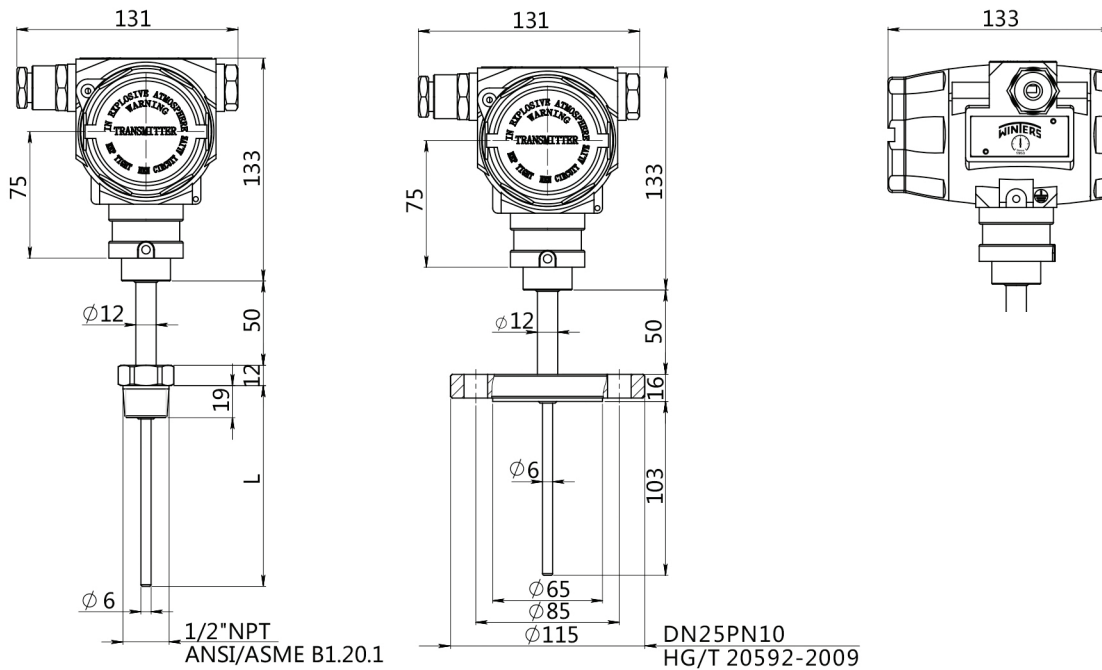
Please Note: Thermowell sold separately.

Order Codes

Insertion Length (INCH), 1/2" NPT	4/20 mA Output	4/20 mA + HART Output	1/5 VDC Output	MODBUS RS485 Output
	°C/°F			
150mm (6")	TY521501	TY52150H	TY521502	TY52150R
200mm (8")	TY522001	TY52200H	TY522002	TY52200R
300mm (12")	TY523001	TY52300H	TY523002	TY52300R
400mm (16")	TY524001	TY52400H	TY524002	TY52400R
500mm (18")	TY525001	TY52500H	TY525002	TY52500R

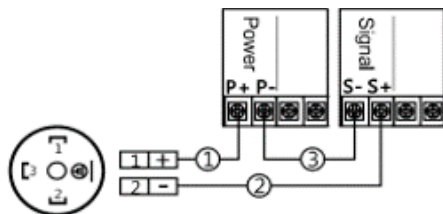
See how to order guide for specific lengths.

Dimensions (mm)



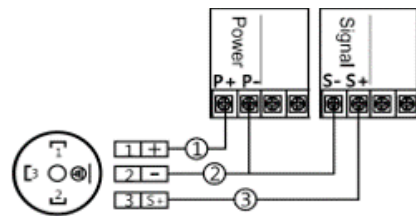
Pin Configurations

4-20mA two wires (DIN43650)



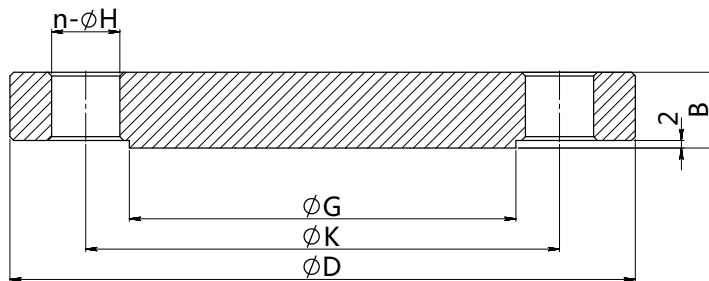
- ① Connect the positive power supply (P+) to the positive power supply (P+) of temperature transmitter (terminals 1);
- ② Connect the negative power supply (P-) of temperature transmitter (terminals 2) to the positive signal module (S+);
- ③ Connect the negative signal module (S-) to the negative power supply (P-)

Three wires current/voltage signal (DIN43650)



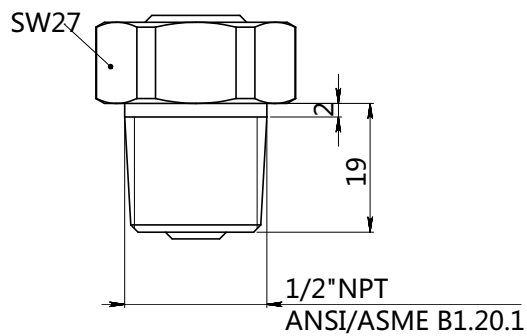
- ① Connect the positive power supply (P+) to the positive power supply (P+) of temperature transmitter (terminals 1);
- ② Connect the negative power supply (P-) of temperature transmitter (terminals 2) to the negative power supply (P-); and connect the negative signal module (S-) to negative power supply (P-);
- ③ Connect the positive signal module (S+) of temperature transmitter (terminals 3) to the positive signal module (S+);

Process Connections H01-H02 (mm)



Standard	Specification	Outer Diameter (φD)	Thickness (B)
HG/T20592-2009	DN50PN10-PN40	165	20
HG/T20592-2009	DN25PN10-PN40	115	16
Hole Circle (φK)	Raised-face Diameter (φG)	Hole Diameter (φH)	Number (n)
125	102	18	4
85	68	14	4

R01 (mm)



G01 (mm)

