

Sensors, Series SP1



AVENTICS™ Sensors, Series SP1

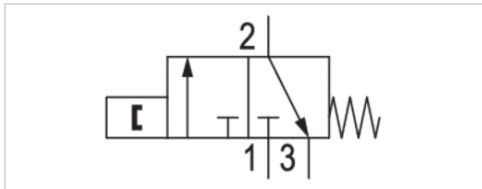


Pneumatic sensor, Series SP1

- Qn 40 l/min
- Mounting orientation Any



Mounting orientation	Any
Working pressure min./max.	2 ... 6 bar
Ambient temperature min./max.	-15 ... 60 °C
Medium	Compressed air
Max. particle size	40 µm
Switching point precision	±0,2 mT
Switching time on	12 ms
Switching time off	25 ms
Weight	0.015 kg



Technical data

Part No.
0820212201

Technical information

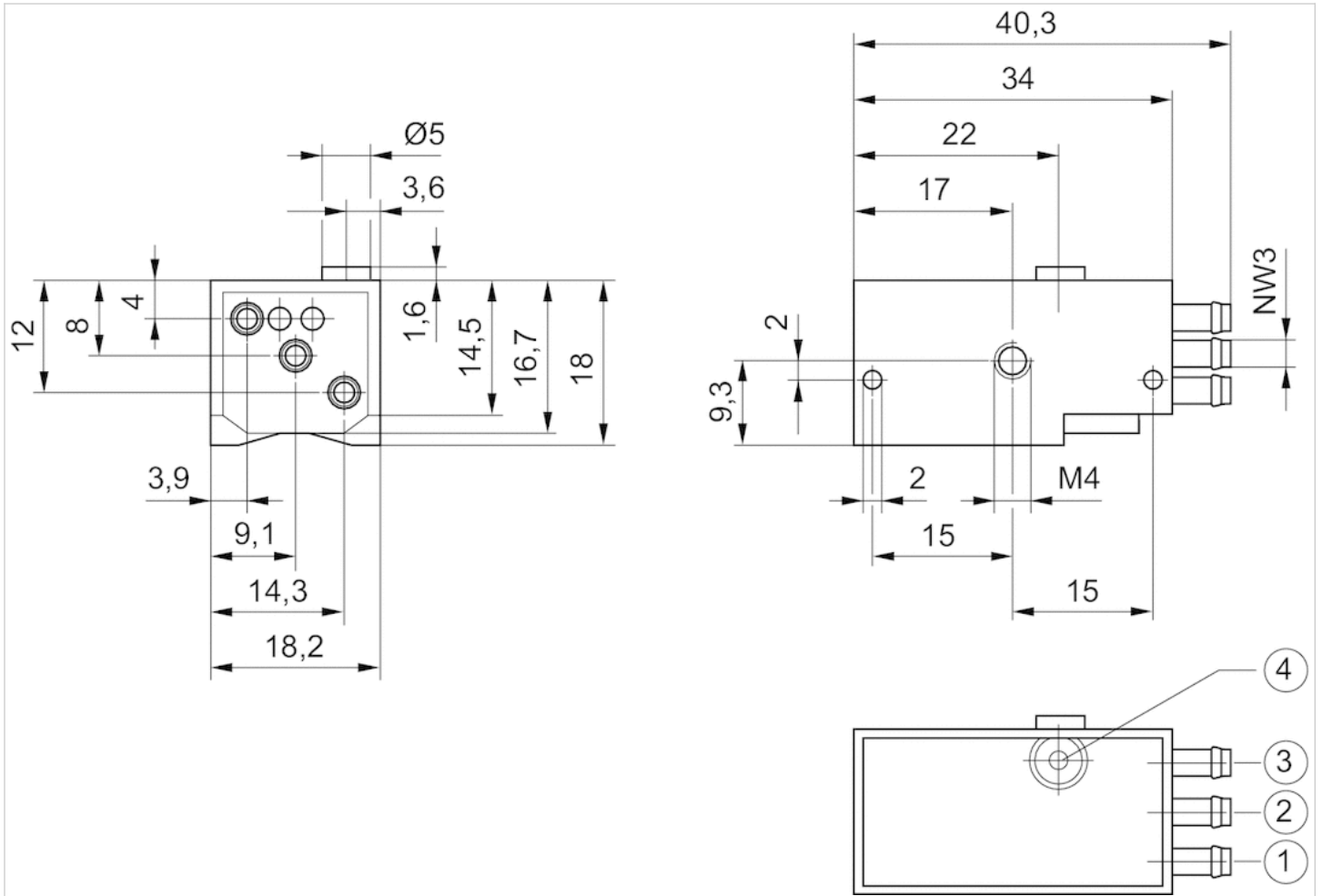
The pressure dew point must be at least 15 °C under ambient and medium temperature and may not exceed 3 °C .
 The oil content of compressed air must remain constant during the life cycle.
 Use only the approved oils from AVENTICS. Further information can be found in the "Technical information" document (available in the MediaCentre).

Notice: This product may only be operated with oil-free, dry compressed air.

Technical information

Material	
Housing	Polyamide

Dimensions



1) compressed air connection 2) output line 3) exhaust 4) visual indicator

Sensor mounting, Series CB1

- for series SP1

- to mount on cylinder TRB, TRR, MNI



Weight

0.015 kg

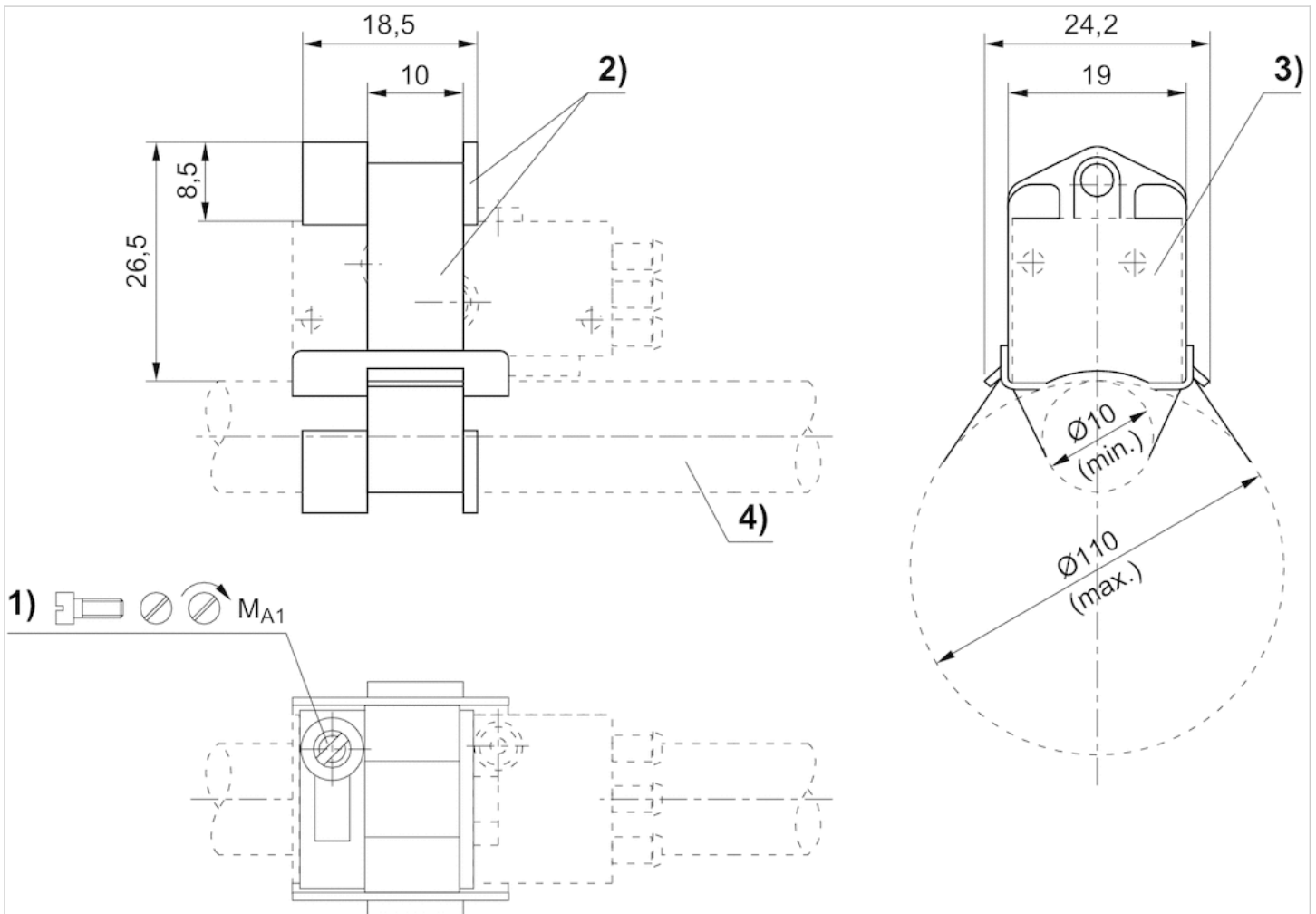
Technical data

Part No.	Cylinders Ø		for series
	min.	max.	
1821205002	10 mm	100 mm	SP1

Technical information

Material	
	Aluminum

Dimensions

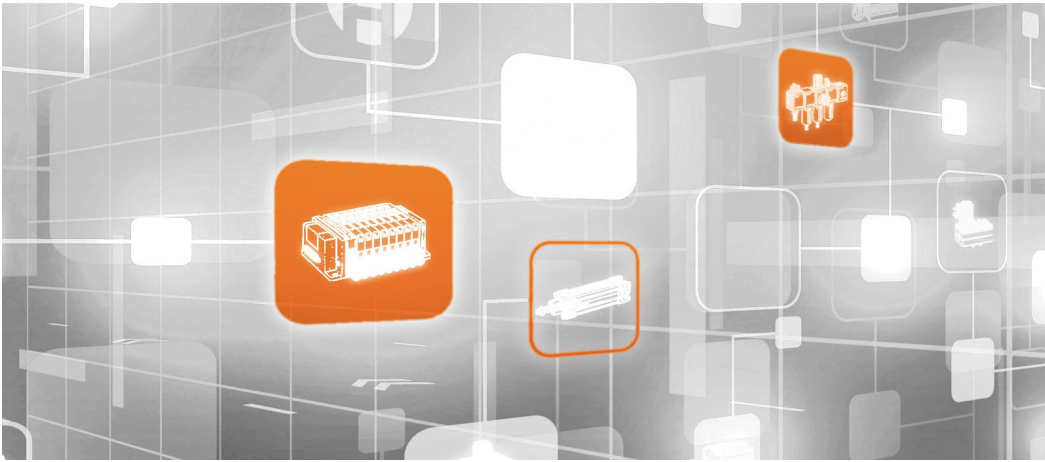


1) Clamping screw 2) Tightening strap with bracket 3) Sensor 4) Cylinder pipe

Dimensions

Part No.	Cylinders Ø
1821205002	10 100 mm

Efficient pneumatic solutions, our program: cylinders and drives, valves and valve systems, air supply management



Visit us: [Emerson.com/Aventics](https://www.emerson.com/Aventics)

Your local contact: [Emerson.com/contactus](https://www.emerson.com/contactus)



[Emerson.com](https://www.emerson.com)



[Facebook.com/EmersonAutomationSolutions](https://www.facebook.com/EmersonAutomationSolutions)



[LinkedIn.com/company/Emerson-Automation-Solutions](https://www.linkedin.com/company/Emerson-Automation-Solutions)



[Twitter.com/EMR_Automation](https://twitter.com/EMR_Automation)

An example configuration is depicted on the title page. The delivered product may thus vary from that in the illustration. Subject to change. This Document, as well as the data, specifications and other information set forth in it, are the exclusive property of AVENTICS GmbH. It may not be reproduced or given to third parties without its consent. Only use the AVENTICS products shown in industrial applications. Read the product documentation completely and carefully before using the product. Observe the applicable regulations and laws of the respective country. When integrating the product into applications, note the system manufacturer's specifications for safe use of the product. The data specified only serve to describe the product. No statements concerning a certain condition or suitability for a certain application can be derived from our information. The information given does not release the user from the obligation of own judgment and verification. It must be remembered that the products are subject to a natural process of wear and aging.

The Emerson logo is a trademark and service mark of Emerson Electric Co. Brand logotype are registered trademarks of one of the Emerson family of companies. All other marks are the property of their respective owners. © 2017 Emerson Electric Co. All rights reserved.
2019-03



CONSIDER IT SOLVED™