



Optional Case

Description & Features:

- Highly accurate ± 0.25 and $\pm 0.5\%$ complete with calibration certificate traceable to NIST standards
- Mirrored anti-parallax dial
- Knife-edge pointer
- Protective carrying and storage case available
- ASME B40.100 compliant
- CRN registered
- 5 year warranty

Applications:

- Designed to be used where accuracy and repeatability are of prime importance
- Used in laboratories and instrument testing facilities

Specifications

Dial	White aluminum with black markings and mirror band for precise instrument readings
Case	AISI 304 SS
Lens	4" (100mm): Polycarbonate 6" (150mm): Glass
Ring	AISI 304 SS
Socket	Brass or Stainless Steel
Connection	1/4" NPT or 1/2" NPT standard, bottom
Bourdon Tube	Phosphor bronze or Stainless Steel
Movement	Brass or Stainless Steel
Pointer	Aluminum, anodized black, micrometer adjustable, knife-edge
Welding	Silver alloy
Over-pressure Limit	30% of full scale value
Working Pressure	Maximum 75% of full scale value
Calibration Conditions	68°F ($\pm 5.4^\circ\text{F}$), 20°C ($\pm 3^\circ\text{C}$) for ambient and process temperatures at atmospheric pressure
Ambient/Process Temperature	-4°F to 150°F (-20°C to 65°C)
Accuracy	6" - $\pm 0.25\%$ ANSI/ASME Grade 3A 4" - $\pm 0.5\%$ ANSI/ASME Grade 2A
Enclosure Rating	IP65
Warning (brass internals only)	⚠ WARNING: This product can expose you to chemicals including lead, which is known to the State of California to cause cancer and birth defects or other reproductive harm. For more information go to www.P65Warnings.ca.gov .

Order Codes

Dial Size	4" (100mm)		6" (150mm)		6" (150mm)	
Connection	1/4" Bottom	1/2" Bottom	1/4" Bottom	1/2" Bottom	1/4" Bottom	1/2" Bottom
Movement, Socket, Tube	Brass		Brass		Stainless Steel	
30" Hg Vac	PTG3999	-	PTG6999	PTG6055	PTG6199	PTG6599
0/15 psi	PTG4000	-	PTG6000	PTG6056	PTG6100	PTG6500
0/30 psi	PTG4001	-	PTG6001	PTG6057	PTG6101	PTG6501
0/60 psi	PTG4002	-	PTG6002	PTG6058	PTG6102	PTG6502
0/100 psi	PTG4003	-	PTG6003	PTG6059	PTG6103	PTG6503
0/160 psi	PTG4004	-	PTG6004	PTG6060	PTG6104	PTG6504
0/200 psi	PTG4005	-	PTG6005	PTG6061	PTG6105	PTG6505
0/300 psi	PTG4006	-	PTG6006	PTG6062	PTG6106	PTG6506
0/400 psi	PTG4007	-	PTG6007	PTG6063	PTG6107	PTG6507
0/600 psi	PTG4008	-	PTG6008	PTG6064	PTG6108	PTG6508
0/1,000 psi	-	PTG4009	PTG6016	PTG6009	PTG6116	PTG6516
0/1,500 psi	-	PTG4010	PTG6017	PTG6010	PTG6117	PTG6517
0/2,000 psi	-	PTG4011	PTG6018	PTG6011	PTG6118	PTG6518
0/3,000 psi	-	PTG4012	PTG6019	PTG6012	PTG6119	PTG6519
0/5,000 psi	-	PTG4013	PTG6053	PTG6013	PTG6153	PTG6553
0/10,000 psi	-	PTG4014	PTG6054	PTG6014	PTG6154	PTG6554

Other ranges and connection sizes available upon request. For scale change, refer to How to Order Guide for scale codes.

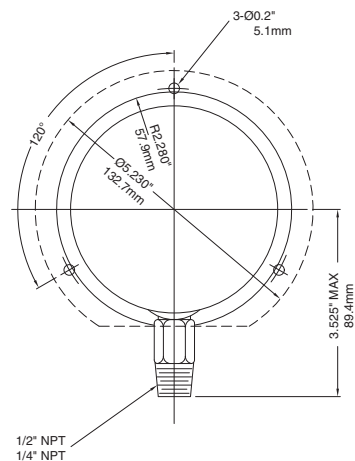
For options, attach suffix to end of order code: i.e. PTG2006-6BF for BACK FLANGE

Option suffix:

4BF = 4" (100mm) Back flange
 4FF = 4" (100mm) Front flange
 6BF = 6" (150mm) Back flange
 6FF = 6" (150mm) Front flange

6FF = 6" (150mm) Front flange
 TG4 = 4" (100mm) Test gauge case
 TG6 = 6" (150mm) Test gauge case

4" Bottom Connection with Back Flange



6" Bottom Connection

